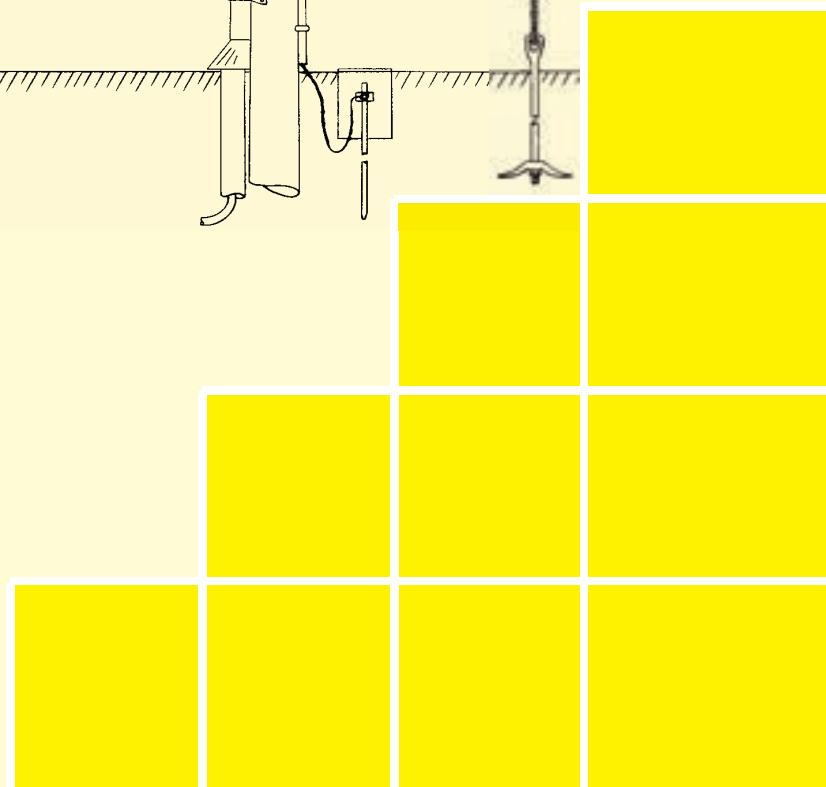
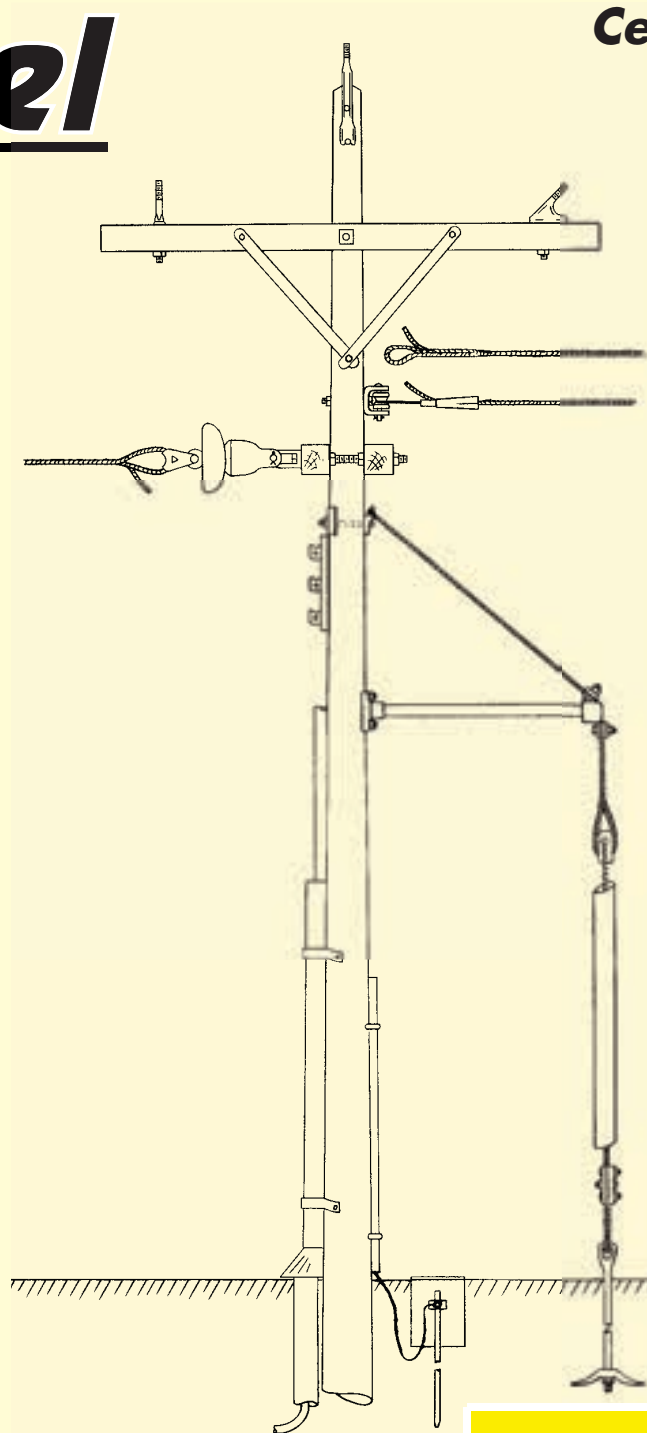


***Hydel***

**ISO 9001:2008  
Certified**

# ***PoleLine Catalogue***

- **Transmission**
- **Distribution**
- **Utility Products**
- **Communication Hardware**
- **Grounding Equipment**





When you think of Poleline Hardware Products, you can count on HYDEL's 50 years of service and engineering to the Utility Residential, Commercial and Industrial markets.

The Hydel Customer Service TEAM is continually striving to improve stock availability, accessibility to information and technical assistance.

Hydel Products are approved and tested before leaving our modern design and manufacturing facility in Vaughan.

Hydel Enterprises will strive to constantly improve the quality and delivery of our products to our customers. We will perfect our products to the highest level of acceptance within the industry which will benefit our customers, employees and owners.





<b>Anchors</b>		<b>Distribution</b>	
Anchors .....	5	Brackets for Cut Out	
Cross-Plates and Square.....	6	Switches & Arrestors .....	28
Anchor Rods.....	7	Cut Out Arrestor Brackets.....	29-30
Rock Anchors .....	8	Transformer Mounting.....	31-33
<b>Angle Braces</b>		Strain Yokes.....	34
V Braces & Alley Arms .....	9	<b>Insulators (Porcelain)</b>	
<b>Braces</b>		Strain, Suspension, Spool,	
Hollow Structural .....	10	Pin Type.....	35
<b>Bolts</b>		<b>Grounding</b>	
Machine Bolts.....	11-12	Rods & Plates .....	36
Carriage Bolts .....	13	<b>Grounding Connectors</b>	
Double Arming Bolts.....	14	Connectors .....	37
Thimble & Oval Eye Bolts.....	15	<b>Grounding</b>	
'U' Bolts .....	16	Copper Clad Rods .....	38
Lag Bolts .....	17	Plates & Boxes .....	39
<b>Bolts &amp; Bolt Eyes</b>		Gradient Mats & Staples.....	40
Spool, Bolt Eyes, Angle .....	18	<b>Guying</b>	
<b>Clamps Aluminum</b>		Guy Wire.....	41
Deadend Stain Clamps.....	19	Aluminum Tie Wire.....	41
Type MSC-Iron Hot Dip Galvanized .....	19	<b>Guards</b>	
Angle Suspension Clamps.....	20	Straight & Flared.....	42
<b>Clamps</b>		<b>Guard Straps</b>	
Guying Clamps.....	21	Straps .....	43
<b>Clevises</b>		Aluminum Throat Clip (ATC) .....	43
Clevises .....	22	<b>Guy Guards</b>	
<b>Bracket Adapters</b>		Plastic/Steel .....	44
Mounting .....	23	<b>Guy Hooks</b>	
<b>Communication Hardware</b>		Guy Hooks.....	45
Drive Hook.....	24	<b>Guy Plates</b>	
Shackle: Dead End.....	24	Strain Plates .....	46
Wedge Grips .....	24	<b>Nuts</b>	
Clamps .....	25	Eye, Thimble, Square, Hex.....	47
Clamps & Pole Steps .....	26	<b>Pole Top Hardware</b>	
<b>Cross Arm Braces</b>		Pole Top Pins, Angle Pins, etc. ....	48
Braces .....	27	Cross Arm Pins, Angle Pins, etc. ....	49
		Pole Top Brackets, Side Post Brackets .....	50



# Index

---

## **Pole Insulators**

Insulator Mounting Stubs and Angle Brackets 51

## **Pole Mounting**

Pole Mounts & Pole Bands ..... 52

## **Pole Bracing**

Braces & Plates ..... 53

## **Preform Grips**

Service Grips..... 54

Uniformed Guy End (Galvanized Steel) .... 54

Guy Thimbles: Hot Dip Galvanized Steel .. 54

## **Washers**

Steel Square Flat ..... 55

Hot Dipped Galvanized Square Curved ... 56

Round, Bevelled Washers..... 57

Lock, Spur Washers..... 58

## **Straps**

Extension Straps ..... 59

Clevis Extension Link..... 59

Strain Plate Clevis ..... 59

## **Racks**

Screw Brackets ..... 60

Secondary Racks for Spool Insulators ..... 60

Secondary Racks - Heavy Duty ..... 61

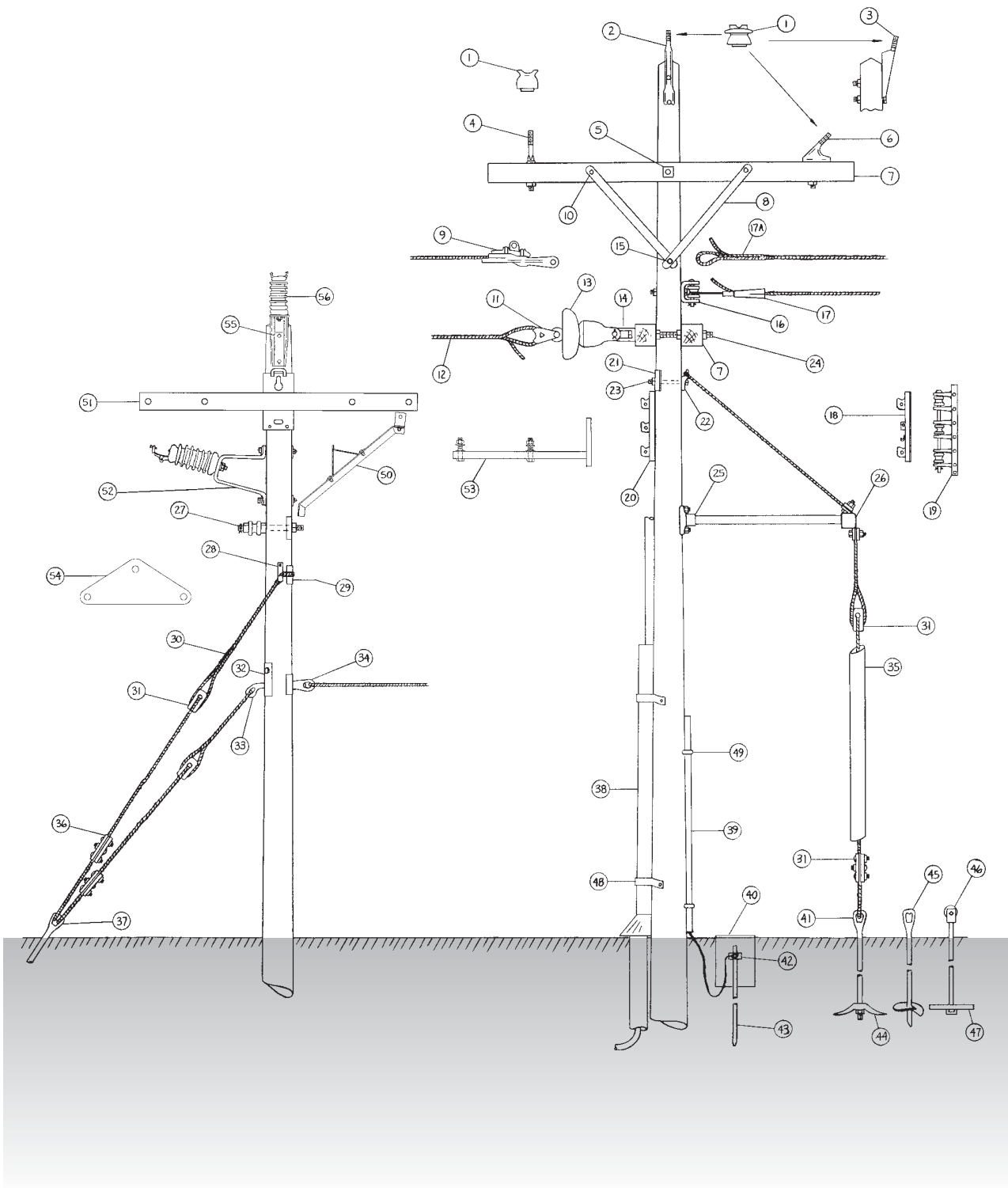
Medium Duty Racks..... 61

## **Underground Hardware**

Underground Cable Racks ..... 62

Formed Steel Hooks ..... 62

**Notes** ..... 63





1.	WPT - pin type insulator	34	29.	SP - strain plate	45
2.	PT - pole top pin	47	30.	GE - guy end	55
3.	AT - angle poletop pin	48	31.	WGS - guy strain insulator wet	34
4.	CAP - cross arm pin	48	32.	GP - guy plate	45
5.	SW - square washer	56	33.	BTE - bent thimble eye bolt	12
6.	ANP - angle cross arm pin	48	34.	EN - oval eye nut	46
8.	CAB - cross arm brace	27	35.	YG/GG/SGG - guy guard	43
9.	SLA/SLM - straight line clamp	18	36.	GU/GUC - guy clamp	21
10.	CB - carriage bolt	10	37.	ADT - double thimble anchor rod	4
11.	24236.TC - thimble clevis	22	38.	UCF/UFA - flared U-cable guard	41
12.	DG - distribution grips	24	39.	701/701.W - plastic/wood moulding	39
13.	WSU - suspension insulator	34	40.	700 - ground electrode box	38
14.	BE - bolt eye	15	41.	AST - anchor rod-single thimble	4
15.	LG/LF - lag screw	14	42.	725/758 etc. - groundrod connectors	36
16.	CL - clevis w/insulator	22	43.	B/G/CC - groundrods	35
17.	WG - wedge grip	24	44.	EX - expansion anchor	1
17A.	SG - service grip	55	45.	SA - screw anchor	4
18.	TSR - triplex space rack c/w 1085.D insulator	62	46.	ASR - anchor rod-single roller	4
19.	E/NE - secondary rack	61	47.	SAP - square anchor plate supp	3
20.	R - knob type rack c/w 1085.D insulator	62	48.	USC/UCA - U. cable guard straps	41
21.	CW - curved washer	57	49.	703 staples	39
22.	34.GH - guy hook	44	50.	AVB/AA - Angle V brace /Alley Arm	6
23.	M - machine bolt	8 - 9	51.	HSC - Hollow structural cross arm	7
24.	DA - double arming bolt	11	52.	SBS - Side post brackets	49
25.	541.SGF - sidewalk guy ftg	21	53.	BCA/LAB - Bracket cutout arrester .	28
26.	540.SGF - sidewalk guy ftg	21	54.	SY - Strain yokes	33
27.	SB - spool bolt	15	55.	PTB, PTA, Pole top brackets	49
28.	2.GH - guy hook (2 per installation)	44	56.	LP - Line Post Insulators	50 - 51



### 8-Way Expanding Anchors Black Asphalt Coated

Form a square when expanded. The pointed corner blades make starting easy. The eight blades, one-piece top plate, deeply embossed for additional strength, expand upon impact into undisturbed earth to form a pyramid shaped square. The 8-way anchor retains its shape under extremely heavy loads due to the support of the eight blades by the base plate. These anchors are coated with a special asphalt paint to protect them against corrosive soil.

Cat. No.	Size (Inches)	Area (Sq.In)	Rod Size (inches)	Anchors Per CTN	Wt.-lbs. Ea.	Ultimate Soil Anchor Holding Strength-Pounds (No Safety Factor Included)				
						* Soil Class				
						3	4	5	6	7
						Soil Test Probe Value				
						500-600 in.-lbs.	400-500 in.-lbs.	300-400 in.-lbs.	200-300 in.-lbs.	100-200 in.-lbs.
88135EX	8	135	5/8-3/4	6	9.5	26,500	22,000	18,500	15,000	10,000
10200EX	10	200	1	4	19	31,000	26,500	21,000	16,500	12,000
12300EX	12	300	1	2	33	40,000	34,000	26,500	21,500	16,000
1025834EX	10	200	5/8-3/4	4	19.25	31,000	26,500	21,000	16,500	12,000
123114EX	12	300	1-1/4	2	33	40,000	34,000	26,500	21,500	16,000

\* These numbers indicate type of soil: 3. Compacted clay and gravel mixed, shale, broken rock, hardpan. 4. Compacted sand, claypan, compacted gravel. 5. Loose sand, gravel and clay, compacted coarse sand. 6. Clay loam, damp clay, compacted sand fines, loose coarse sand. 7. Silt loam, loose sand fines, wet clay, miscellaneous.



88135EX



# Anchors

## CROSS-PLATES AND SQUARE

### Cross-Plate Anchor Black Asphalt Coated

Cross-Plate anchors are formed from structural steel are ribbed for extra strength and reinforcement. Plate edges are flanged to resist creeping. Plates are welded at right angles for maximum holding ability. Nut retainer is provided to aid installation. These anchors are available with high-grade asphalt coating.



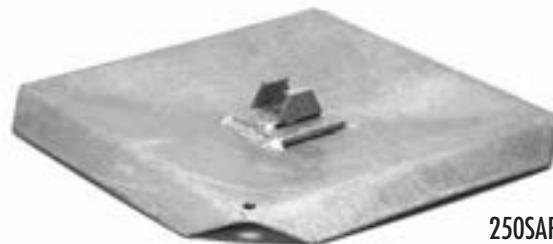
16CPA

Cat. No.	Hole Size (Inches)	Area (Sq.In)	Rod Size (inches)	Anchors Per CTN	Wt.-lbs. / C	Ultimate Soil Anchor Holding Strength-Pounds (No Safety Factor Included)				
						* Soil Class				
						3	4	5	6	7
						Soil Test Probe Value				
						500-600 in.-lbs.	400-500 in.-lbs.	300-400 in.-lbs.	200-300 in.-lbs.	100-200 in.-lbs.
16CPA	16	150	5/8-3/4	6	70	26,500	22,500	18,500	14,500	9,500
20CPA	20	250	5/8-3/4	4	65	34,000	29,000	24,000	19,000	14,000
201CPA	20	250	1	4	65	34,000	29,000	24,000	19,000	14,000
2434CPA	24	400	5/8-3/4	1	33	45,000	37,000	30,000	23,500	18,000
24CPA	24	400	1	1	33	45,000	37,000	30,000	23,500	18,000
241CPA	24	400	1-1/4	1	33	45,000	37,000	30,000	23,500	18,000

\* These numbers indicate type of soil: 3. Compacted clay and gravel mixed, shale, broken rock, hardpan. 4. Compacted sand, clay-pan, compacted gravel. 5. Loose sand, gravel and clay, compacted coarse sand. 6. Clay loam, damp clay, compacted sand fines, loose coarse sand. 7. Silt loam, loose sand fines, wet clay, miscellaneous fill.

### Square Anchors

Hot dip Galvanized  
Painted available upon request Gray or black add suffix P  
Nut retainer welded to bottom plate to provide means of anchor rod recovery.



250SAP

Cat. No.	Dimension (inches)	Area sq.in	Anchor rod diameter (inches)	Std.Pkg.	Wt.-lbs./C
250SAP	16-1/4 x 16-1/4	250	5/8-3/4	1	1100
250SAP1	16-1/4 x 16-1/4	250	3/4 x 1	1	1100
400SAP	20 x 20	400	3/4 x 1	1	2650
400SAP2 (TAB)	20 x 20	400	3/4 x 1	1	2650
400SAP3	20 x 20	400	1 to 1-1/4	1	2650



# Anchors

## ANCHOR RODS



### Screw Anchors (Wrenchless)

Hot dip Galvanized.

Rod and plate are one unit.

Installed by inserting a 1" rod into eye and turning the anchor manually.

Cat. No.	Diameter plate	Holding Strength	Diameter Rod	Holding Strength Dry Clay - lbs.	Std. Pkg.	Wt.-lbs./C
634SA	6"	6500 #	3/4	5500	2	1050
810SA	8"	8000 #	1	8000	1	1900



634SA

### Anchor Rods

Threaded anchor rods for all types of anchors.

Single thimble (AST); Double thimble (ADT);

C.S.A. Specification No. C-83 No. R1, R2, R3 and R14.

Cat.No.		Length	Diameter	Std.Pkg.	Wt. lbs./ C
Single	Double				
658AST	658ADT	6'	5/8	5	750
758AST	758ADT	7'	5/8	5	830
	858ADT	8'	5/8	5	930
	634ADT	6'	3/4	5	1010
	734ADT	7'	3/4	5	1160
	834ADT	8'	3/4	5	1320

Minimum breaking strength at thread root:

5/8" diameter - 15, 000 lbs.

3/4" diameter - 23, 000 lbs.

All anchor rods supplied with heavy square nuts.



658ADT



# Anchors

## ROCK ANCHORS

### Rock Anchors

For solid rock or in stone or concrete walls. Made from 1" round steel, with drop forged eye, flattened at the top.

C.S.A. Standard Drawing No. A-2

Cat.No.	Size	Std.Pkg.	Wt.-lbs./ C
121RAW	1" x 12" c/w wedge	10	450
181RAW	1" x 18" c/w wedge	10	600
30W	Wedge only	10	30

*Installation of Rock Anchor:*

*Drill hole in rock; expand bottom end with wedge by pounding top of anchor with sledge hammer. Grout with cement.*



181RAW



30W

### Rock Anchor Extension

Hot dip galvanized. Shipped ready to install c/w bolt and nut and double strand eye. Used in conjunction with Rock Anchor, mainly when rock anchor is installed below grade.

Cat.No.	Length	Diameter	Std. Pkg.	Wt.-lbs./ C
334RAE	3'	3/4"	5	700
434RAE	4'	3/4"	5	860
534RAE	5'	3/4"	5	1020

*Other sizes available upon request.*



334RAE

# Angle Braces

## V BRACES & ALLEY ARMS



### Angle V-Braces

Cat.No.	Size of Angle	Span	Drop	Centre Hole Size	Ends Hole Size	Wt.-lbs./ C
37AVB	1-1/2 x 1-1/2 x 3/16	37	12	11/16"	9/16"	
42AVB	1-1/2 x 1-1/2 x 3/16	42	12	11/16"	9/16"	830
48AVB	1-1/2 x 1-1/2 x 3/16	48	18	11/16"	9/16"	1,000
60AVB	1-1/2 x 1-1/2 x 3/16	60	18	11/16"	9/16"	1,160
3442AVB	1-3/4 x 1-3/4 x 3/16	60	18	11/16"	9/16"	1,300
3442AVB-13	1-3/4 x 1-3/4 x 3/16	60	18	13/16"	13/16"	1,300
3461AVB	1-3/4 x 1-3/4 x 3/16	60	18	11/16"	9/16"	1,330
3466AVB	1-3/4 x 1-3/4 x 3/16	66	20	11/16"	9/16"	1,500
3472AVB	1-3/4 x 1-3/4 x 3/16	72	18	11/16"	9/16"	1,510
72AVB	1-1/2 x 1-1/2 x 3/16	72	22	11/16"	9/16"	1,300
72AVB-2	1-3/4 x 1-3/4 x 3/16	72	22	13/16"	13/16"	1,350

Provides support for heavy crossarms.  
 11/16" holes for pole mounting.  
 Other sizes available upon request.  
 Add suffix 13 where end holes must be 13/16".  
 Spread of span is measured from hole centres.



42AVB

### Alley arm braces- with step

All mounting holes 11/16" \*With crossarm mounting clip

- C.S.A. Standard
- 11/16" hole for pole attachment
- Made from steel angle with linemen's step
- 9/16" hole for crossarm
- Used to support distribution conductors on one side of pole
- Add suffix -13 where end holes must be 13/16"

Cat.No.	Size of Angle Inches	Length Feet	Wt.-/lbs (100 pcs.)	Std. Pkg.
52AA	1-3/4 x 1-3/4 x 3/16	5	1100	5
62AA	1-1/2 x 1-1/2 x 3/16	6	1300	5
72AA	1-3/4 x 1-3/4 x 3/16	6	1465	5
84AA	1-3/4 x 1-3/4 x 3/16	7	2100	5



72AA



# Braces

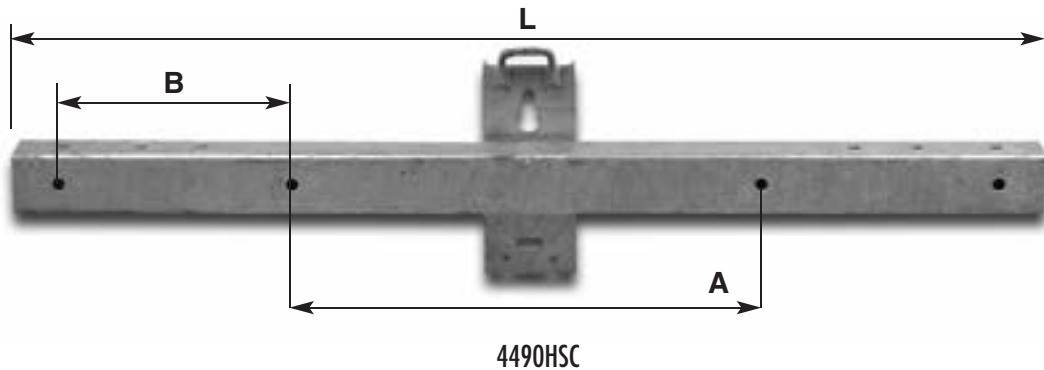
## HOLLOW STRUCTURAL

### Hollow Structural Steel Cross Arms

Holes 13/16" diameter except as shown. Hot dip galvanized after fabrication as per C.S.A. G164. Come complete with lifting eyes.

Cat. No.	Section	L	A	B	Wt.-lbs./ ea
4442HSC	4 x 4 x .150	3'6"	-	-	38
4454HSC	4 x 4 x .150	4'6"	-	15"	46
4466HSC (OH)	4 x 4 x .150	5'6"	-	15"	55
4490HSC	4 x 4 x .150	7'6"	36"	18"	72
4490HSC-4 (OH)	4 x 4 x .188	7'6"	36"	18"	80
4690HSC	4 x 6 x .188	7'6"	36"	18"	103
44114HSC (OH)	4 x 4 x .3125	9'6"	36"	18"	152
46126HSC	4 x 6 x .3120	10'6"	36"	18"	217
46150HSC	4 x 6 x .3750	12'6"	48"	18"	298

Special hole patterns available upon request. ie. Hamilton Hydro, London Hydro, Peterborough Hydro etc.





### Square Head Machine Bolts complete with Nuts

Bolts 6" and longer made with buffer points. C.S.A. Standard Drawing No. B-3.

Minimum breaking strength at thread root:

3/8" diameter – 4,650 lbs.

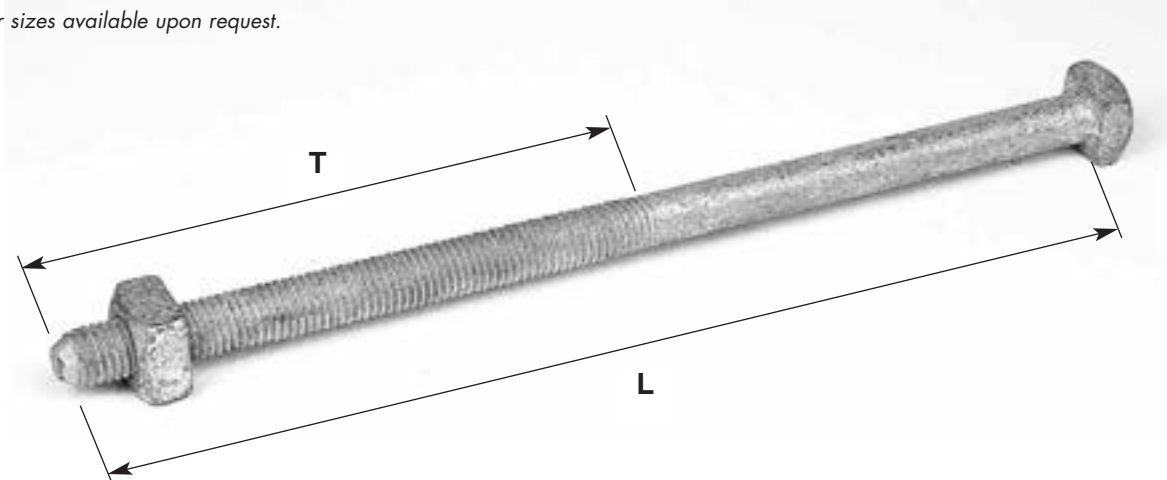
1/2" diameter – 8,500 lbs.

5/8" diameter – 13,500 lbs.

3/4" diameter – 20,000 lbs.

Cat. No.	L	T	Std.Pkg.	Wt.-lbs./ C
<b>3/8" Diameter Bolts complete with Hexagon Nuts:</b>				
1538M	1-1/2	1	100	10
238M	2	1	100	11
2538M	2-1/2	1	100	12
338M	3	1	100	13
438M	4	1	50	15
538M	5	1	50	19
638M	6	1	50	22
<b>1/2" Diameter Bolts complete with Square Nuts:</b>				
1512M	1-1/2	1-1/4	50	18
212M	2	1-1/4	50	21
312M	3	1-1/4	50	28
412M	4	1-1/4	25	35
512M	5	1-1/4	25	40
612M	6	1-1/4	25	45
712M	7	1-1/4	25	50
812M	8	4	50	56
1012M	10	4	50	67
1212M	12	6	50	76
1412M	14	6	50	85
1612M	16	6	50	94

Other sizes available upon request.



1258M



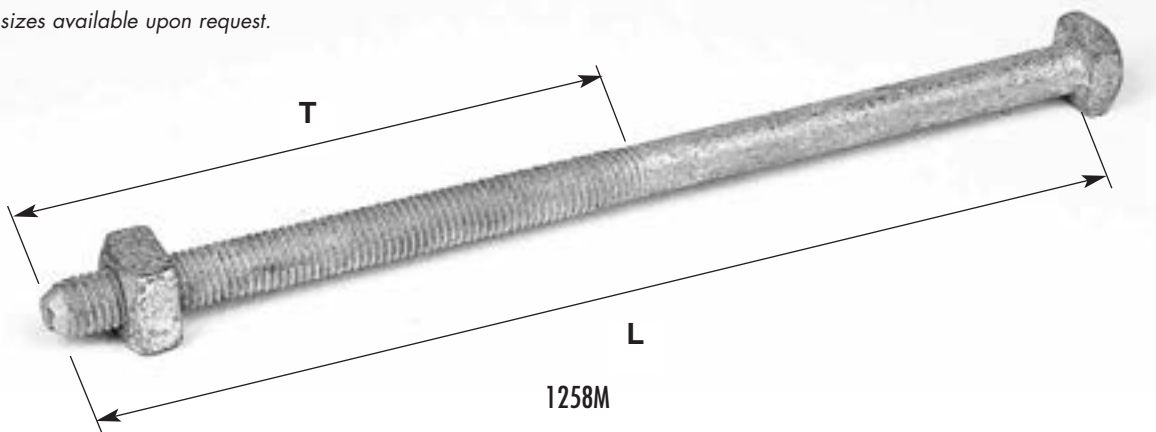
# Bolts

## MACHINE BOLTS

### Square Head Machine Bolts complete with Square Nuts *Cont'd*

Cat.No.	L	T	Std. Pkg.	Wt.-lbs./ C
<b>5/8" Diameter Bolts:</b>				
258M	2	1-1/2	25	38
358M	3	1-1/2	25	45
458M	4	1-1/2	25	54
558M	5	1-1/2	25	62
658M	6	1-1/2	50	70
858M	8	4	50	86
1058M	10	4	50	102
1058M-8	10	8	50	102
1258M	12	6	50	115
1458M	14	6	50	130
1658M	16	6	50	145
1858M	18	6	25	160
2058M	20	6	25	175
2258M	22	6	25	190
2458M	24	6	25	208
2658M	26	6	25	226
2858M	28	6	25	235
<b>3/4" Diameter Bolts:</b>				
634M	6	1-3/4	50	102
834M	8	4	50	130
1034M	10	4	50	150
1234M	12	6	50	175
1434M	14	6	25	200
1634M	16	6	25	225
1834M	18	6	25	245
2034M	20	6	25	270
2234M	22	6	25	300
2434M	24	6	25	320
2634M	26	6	25	340

Other sizes available upon request.



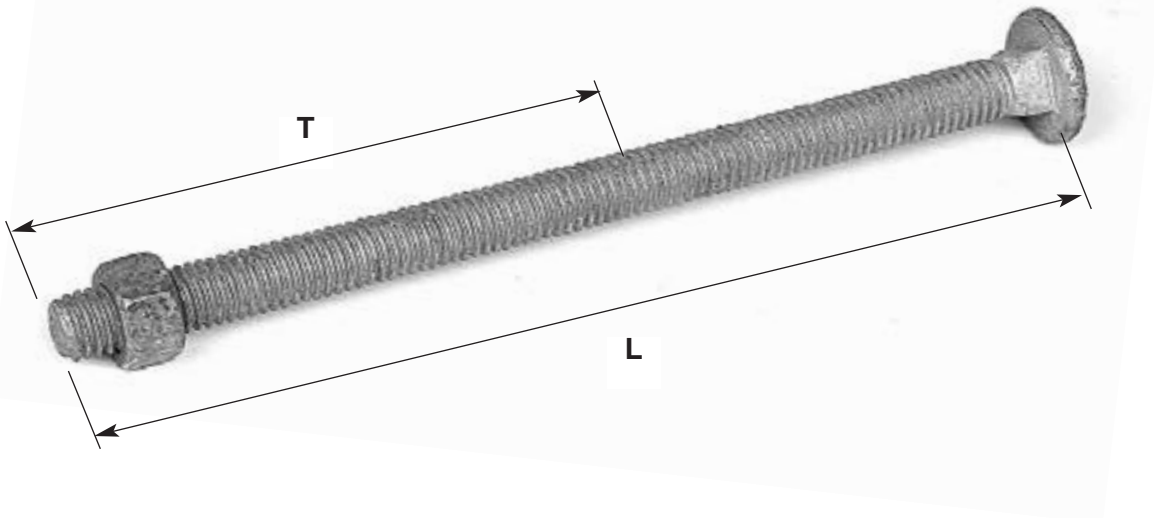


### Carriage Bolts

Hot dip galvanized complete with hexagon nuts. C.S.A. Drawing B-33.

Cat.No.	Dimensions			Std.Pkg.	Wt.-lbs./C
	(D)iameter	(L)ength	(T)hread Length		
<b>3/8" Diameter Minimum Breaking Strength 4,500 lbs.</b>					
1538CB	3/8	1-1/2	1/2	50	12
2538CB	3/8	2-1/2	1	50	14
3538CB	3/8	3-1/2	1	50	15
438CB	3/8	4	1	50	16
4538CB	3/8	4-1/2	1	50	17
538CB	3/8	5	1	50	19
5538CB	3/8	5-1/2	1	50	20
638CB	3/8	6	1 1/4	50	22
<b>1/2" Diameter Minimum Breaking Strength 8,500 lbs.</b>					
412CB	1/2	4	1-1/4	50	32
4512CB	1/2	4-1/2	1-1/4	20	33
512CB	1/2	5	1-1/4	20	35
5512CB	1/2	5-1/2	1-1/4	20	38
612CB	1/2	6	1-1/2	20	42
<b>5/8" Diameter Minimum Breaking Strength 13,500 lbs.</b>					
358CB	5/8	3	1-1/2	25	46
4558CB	5/8	4-1/2	1-1/2	25	58
658CB	5/8	6	1-3/4	25	70
1058CB	5/8	10	1-3/4	25	102
1258CB	5/8	12	1-3/4	25	115

Other sizes available upon request.





# Bolts

## DOUBLE ARMING BOLTS

### Double Arming Bolts

Fully threaded, Hot dip galvanized, buffer points. C.S.A. Standard Drawing No. B-2.  
 Minimum breaking strength at thread root:  
 5/8" diameter – 13, 500 lbs.  
 3/4" diameter – 20, 000 lbs.

Cat.No.	Size	Std.Pkg.	Wt.-lbs./ C
1058DA	5/8 x 10"	25	120
1258DA	5/8 x 12"	25	135
1458DA	5/8 x 14"	25	150
1658DA	5/8 x 16"	25	165
1858DA	5/8 x 18"	25	180
2058DA	5/8 x 20"	25	195
2258DA	5/8 x 22"	25	210
2458DA	5/8 x 24"	25	225
2658DA	5/8 x 26"	25	240
2858DA	5/8 x 28"	25	255
3058DA	5/8 x 30"	25	270
1034DA	3/4 x 10"	25	210
1234DA	3/4 x 12"	25	230
1434DA	3/4 x 14"	25	250
1634DA	3/4 x 16"	25	270
1834DA	3/4 x 18"	25	290
2034DA	3/4 x 20"	25	310
2234DA	3/4 x 22"	25	330
2434DA	3/4 x 24"	10	350
2634DA	3/4 x 26"	5	370
2834DA	3/4 x 28"	5	390
3034DA	3/4 x 30"	5	410

Other sizes available upon request.



1658DA





## THIMBLE & OVAL EYE BOLTS

### Thimble Eye Bolts

Complete with square nuts. Hot dip galvanized, cone points. C.S.A. Drawing No. B-7 & B-5

Cat. No.	D	L	T	Std. Pkg.	Wt.-lbs./ C
<b>Straight</b>					
858TE	5/8	8	6	25	125
1058TE	5/8	10	6	25	144
1258TE	5/8	12	6	25	162
1458TE	5/8	14	6	25	198
<b>Bent Thimble Eye Bolts</b>					
1058BTE	5/8	10	6	25	144
1258BTE	5/8	12	6	25	162
1458BTE	5/8	14	6	25	198
1010BTE	1	10	6	10	190



1058TE



1058BTE

### Oval Eye Bolts

Hot dip galvanized Bolts 6" and longer have cone points.

Eye Dimensions (A x B) for 1/2" bolt: 1 x 1-1/2; for 5/8 and 3/4" bolts: 1-1/2 x 2

Cat.No.	Diameter	L	T	Std.Pkg.	Wt.-lbs./ C
6580E	5/8	6	3	50	122
8580E	5/8	8	4	50	136
10580E	5/8	10	4	25	150
12580E	5/8	12	6	25	168
14580E	5/8	14	6	25	186
16580E	5/8	16	6	25	204
18580E	5/8	18	6	25	222
20580E	5/8	20	6	25	250
22580E	5/8	22	6	25	270
24580E	5/8	24	6	25	290
10340E	3/4	10	6	25	225
12340E	3/4	12	6	25	250
14340E	3/4	14	6	25	275
16340E	3/4	16	6	25	295
18340E	3/4	18	6	25	320

Other sizes available upon request.



10580E



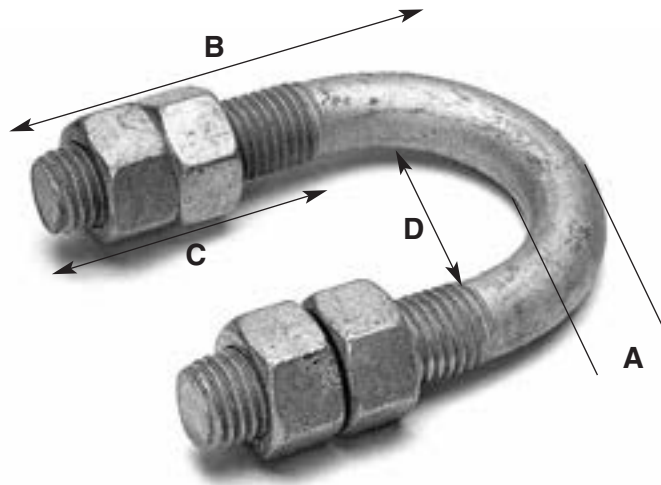
# Bolts

## "U" BOLTS

### "U" Bolts

Complete with 4 hexagon nuts. Minimum order quantities required.

Cat. No.	Dimensions-Inches				Minimum Breaking Strength	Std.Pkg.	Weight/100
	Size A-Inches	B	C	D			
6310U	3/8	2-5/8	2-1/16	1	8,000 lbs.	100	35
6320U	3/8	3-1/8	2-5/16	1	8,000 lbs.	100	40
6330U	3/8	4	2-13/16	1-1/2	8,000 lbs.	100	47
6421U	1/2	2-1/2	1-1/2	1-1/4	14,000 lbs.	100	63
6451U	1/2	3	1-1/2	1-1/4	14,000 lbs.	100	71
6461U	1/2	4	2	1-1/2	14,000 lbs.	100	84
6551U	5/8	3	1-1/2	1-3/4	25,000 lbs.	50	122
6552U	5/8	3-5/8	1-3/4	2	25,000 lbs.	50	132
6555U	5/8	4	2	2	25,000 lbs.	50	142
6661U	3/4	4-1/2	3	2-1/2	36,000 lbs.	25	220
6663U	3/4	5-1/2	2-3/8	2-1/2	36,000 lbs.	25	250
6665U	3/4	6	2-3/8	2-1/2	36,000 lbs.	25	295
6750U	7/8	5	2-1/2	2-1/2	50,000 lbs.	15	364
6760U	7/8	6	2-3/4	3	50,000 lbs.	15	405
6770U	7/8	7	3	3	50,000 lbs.	15	446
6850U	1	5	3	2-1/2	66,000 lbs.	10	507
6860U	1	6	3-1/8	3	66,000 lbs.	10	560
6870U	1	7	3-1/4	3	66,000 lbs.	10	613



V6661



### Lag Bolts Gimlet Point

C.S.A. Standard Drawing No. S-1 except hexagon head instead of square. Fetter Drive available upon request on limited sizes, add suffix "LF".

Cat.No.	Dimensions	Std.Pkg.	Wt.-lbs./ C
<b>1/4" Diameter:</b>			
2514LG	1/4 x 2-1/2	100	4
314LG	1/4 x 3	100	5
<b>5/16" Diameter:</b>			
2556LG	5/16 x 2-1/2	100	6
356LG	5/16 x 3	100	7
<b>3/8" Diameter:</b>			
238LG	3/8 x 2	50	9
2538LG	3/8 x 2-1/2	50	10
338LG	3/8 x 3	50	11
3538LG	3/8 x 3-1/2	50	12
438LG	3/8 x 4	50	14
4538LG	3/8 x 4-1/2	50	15
538LG	3/8 x 5	50	16
638LG	3/8 x 6	50	18
<b>1/2" Diameter:</b>			
2512LG	1/2 x 2-1/2	50	17
312.LG	1/2 x 3	50	19
3512LG	1/2 x 3-1/2	50	22
412LG	1/2 x 4	50	25
4512LG	1/2 x 4-1/2	50	28
512LG	1/2 x 5	20	30
612LG	1/2 x 6	20	35
<b>5/8" Diameter:</b>			
458LG	5/8 x 4	25	38
558LG	5/8 x 5	25	46
658LG	5/8 x 6	25	54
758LG	5/8 x 7	25	62
858LG	5/8 x 8	25	70

Pilot point available upon request on limited sizes.  
 Other sizes available upon request.  
 Fetter drive available upon request on limited sizes.



338LG



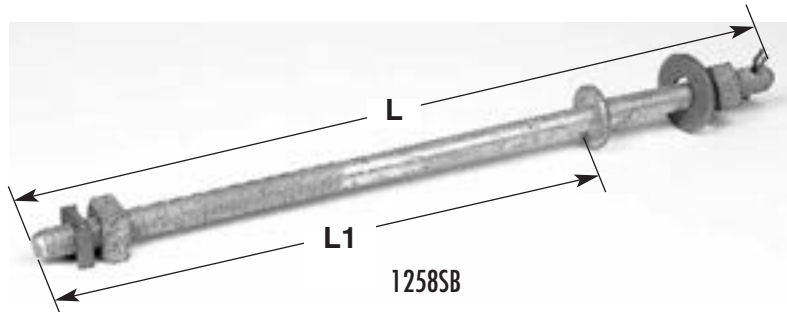
# Bolts & Bolt Eyes

## SPOOL, BOLT EYES, ANGLE

### Spool Bolts

Used with spool insulators 355WSPG (not included). Flats on Collar provided for applying wrench.

Cat.No.	Diameter	L	L1	Std.Pkg.	Wt.-lbs./ C
858SB	5/8	13-1/2	8	50	180
1058SB	5/8	15-1/2	10	50	195
1258SB	5/8	17-1/2	12	20	210
1458SB	5/8	19-1/2	14	20	225



### Bolt Eye

For attachment to either or both ends of a double arming bolt.

Cat.No.	L	Slot	Std. Pkg.	Wt.-lbs./C
111BE	1	11/16	25	100
113BE	1	13/16	25	100



111BE

### Angle Thimble Eyelet

-Drop forged steel

-Bent at 45° angle

-Used to assemble upper end of guy on ground before raising it to the pole top.

Cat.No.	Bolt Dia. Inches	Strand Dia.Inches	Strength (lbs.)	Std. Pkg.	Wt.-lbs. (100 Pcs.)
111ATE	11/16	3/16 TO 1/2	12400	50	134
113ATE	13/16	3/16 TO 1/2	18300	50	128



# Clamps Aluminum



## Deadend Strain Clamps

### Features

Waved seat clamp for extra high holding power that exceeds requirements without damaging the cable. Conductor can be threaded through clamp without removing saddle. Lifting eye supplied on all sizes to facilitate hot line work. Hardware is galvanized steel; cotter pin is stainless steel.

Cat. No.	Type ASC-Aluminum				Dimensions in Inches					Ultimate Strength (Lb.)	
	Cable Range		Inches		A	B	C	D	E	Body	Eye
	Minimum	Maximum	Min	Max							
477SLA	No.6 STR.	- 3/0 STR. ALUM.	.18	.50	7-3/8	7/8	1	1-1/4	1/2	8000	4000
62SLA	No.2 STR.	- 300 MCM STR.	.30	.63	8-15/16	7/8	1	1-3/8	1/2	9000	5000
93SLA	3/0 STR.	- 556.5 MCM STR.	.46	.93	9-5/8	7/8	1	1-3/8	1/2	9000	5000
156ASC	477 MCM STR.	- 1800 MCM STR.	.79	1.56	14	7/8	1	1-3/8	5/8	12000	8000

## Type MSC-Iron Hot Dip Galvanized

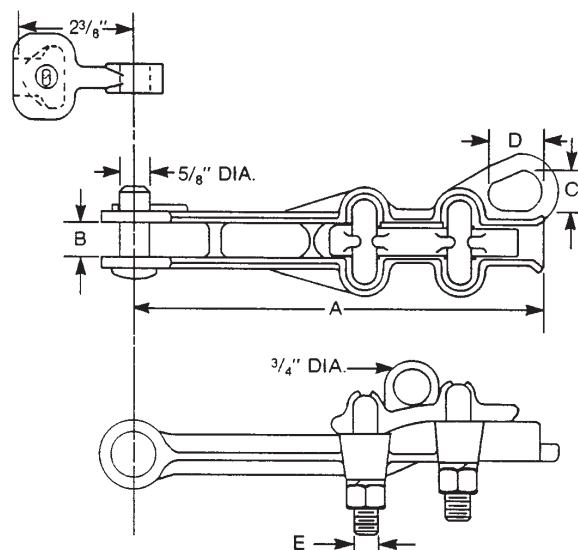
Available upon request.



477SLA



93SLA





# Clamps Aluminum

## Angle Suspension Clamps

### Features

Type ACA clamps are recommended for ACSR and all aluminum conductors only. Liners are not required. Not recommended for copper or copperweld conductor. Clamps bodies and keepers are of high strength heat treated aluminum alloy. Hardware is hot dip galvanized steel, humpback cotter pin is stainless steel.

Cat. No.	Figure No.	Type ACA-Aluminum				Dimensions in Inches				Ultimate Strength in Pounds
		Cable Range				Diameter				
		ACSR		Inches		A	B	C	D	
6751ACA	1	#6-	266.8	.198-	.675	3-1/16"	4-1/16"	4-1/4"	1-1/8"	7,000
11251ACA	1	3/0-	795	.50-	1.125	4-1/8"	5-7/8"	5-1/4"	1-3/8"	12,000

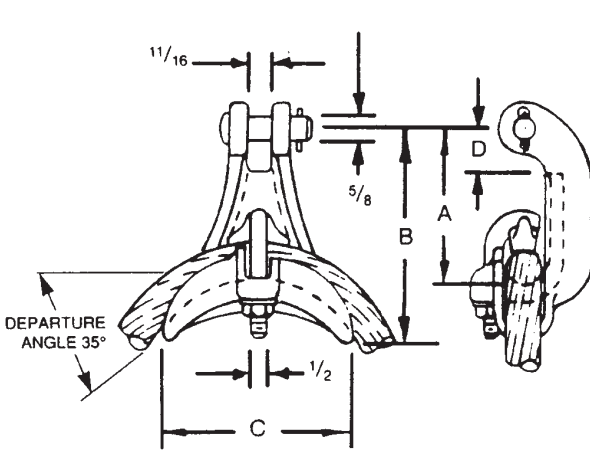


FIG. 1

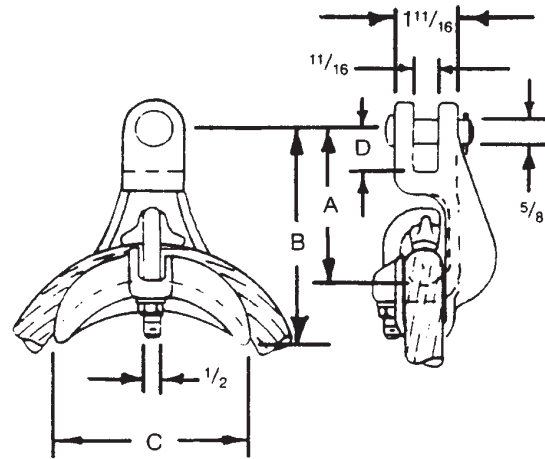


FIG. 2

# Clamps

## GUYING CLAMPS



### Standard Guy Clamps

Cat. No.	No. & size of bolts	Clamp Length	Clamp Section	Std.Pkg.	Wt.-lbs./ C
Medium Duty for use with 1/4" to 7/16" strand:					
212GU	2 pcs @ 1/2" dia	3-3/8"	1-9/16" x 3/8"	50	140
312GU	3 pcs @ 1/2" dia	6"	1-9/16" x 3/8"	25	240
Heavy Duty for use with 5/16" to 7/16" strand:					
358GU	3 pcs @ 5/8" dia	6"	1-9/16" x 3/8"	20	290



212GU



358GU

### Messenger Clamp and Corner Messenger Clamp

Used to support cables on long spans-also used with cable extension arms. Mounting bolt 5/8" diameter (not supplied) except 7434CMC- 3/4" diameter.

Cat. No.	Strand Size	Std.Pkg.	Wt.-lbs./ C
558MC	1/4 - 7/16	25	210
7458CMC	1/4 - 7/16	25	260
7434CMC	1/4 - 7/16	25	260



558MC



7458CMC

### Sidewalk Guy Fitting (for 2" Pipe)

The pole plates and clamp fittings are fastened to the pipe with set screws. Pipe not included. Mounted with 1/2" lag bolts (not included)

Cat. No.	Std.Pkg.	Wt.-lbs./ C
540SGF	10	700
541SGF	10	500



540SGF



541SGF

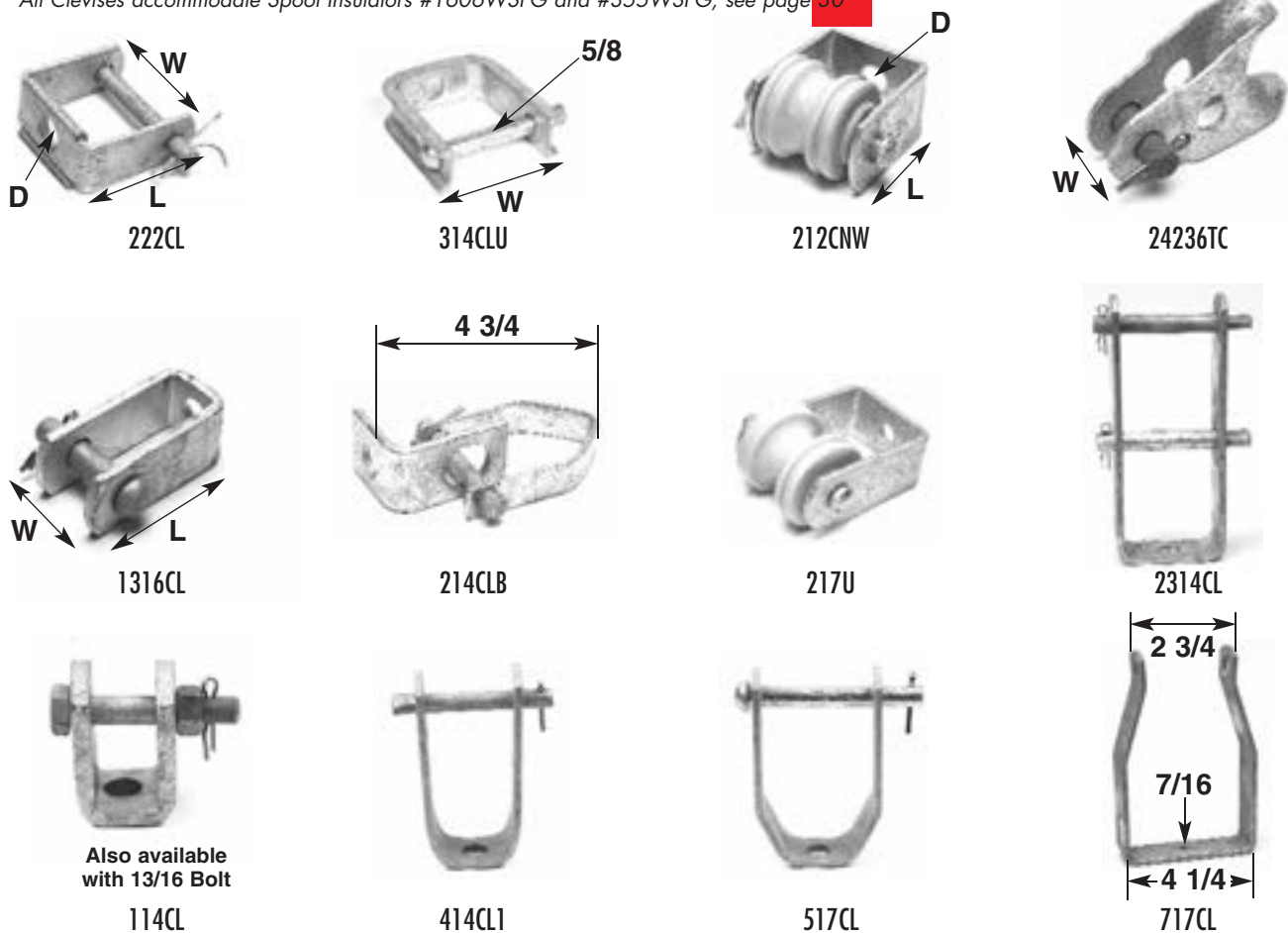


# Clevises

## Steel Clevises

Cat.No.	D	L	W	Steel Section	Description	Std.Pkg.	Wt.-lbs./ C
222CL	11/16	2	2-1/4	11ga x 1		20	38
414CL	11/16	4-1/4	2-1/4	3/16 x 1-1/2		25	100
517CL	11/16	5-1/4	3-1/8	3/16 x 1-1/2		25	120
212CNW	11/16	2-1/2	2-1/4	3/16 x 1-3/4	C/W Wet insulator	25	140
314CL	11/16	4	3-1/4	1/4 x 2		10	220
314CLU	11/16	3-1/2	3-1/4	1/2 x 1-1/4	Channel Type	25	160
1316CL	11/16	3	1-3/16	1/4 x 1/2		25	180
114CL	13/16	2	1-1/4	3/8 x 2	Bolt head clevis	25	190
414CL	9/16	4-1/4	2-1/4	3/16 x 1-1/2		25	100
414CL1	11/16	4-1/4	2-1/4	3/16 x 1-1/2		25	100
314CLU-OH	13/16	3-1/2	3-1/4	1/2 x 1-1/4	Channel Type	25	160
24236TC	2-3/16	3/4		10 ga.	"pig's ear" tens. 10M # yield 6M #	50	80
214CLB	11/16	4-3/4	2-1/4	11 ga & 1/4	Swivel clevis	25	105
214CLA	11/16	4-3/4	2-1/4	11 ga & 1/4	Straight clevis	25	105
214CL	11/16	4-3/4	2-1/4	11 ga & 1/4	Clevis only c/w Insulator	25	120
2314CL	11/16	8	3-1/4	1/4 x 2	Double clevis	20	290

All Clevises accommodate Spool Insulators #1606WSPG and #355WSPG, see page 30



Also available with 13/16 Bolt

114CL

414CL1

517CL

717CL



# Bracket Adapters

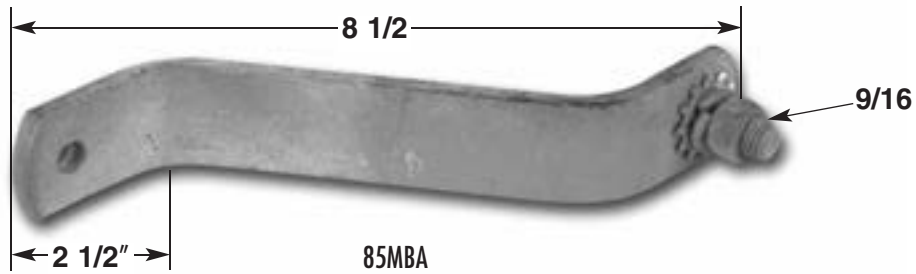
## MOUNTING



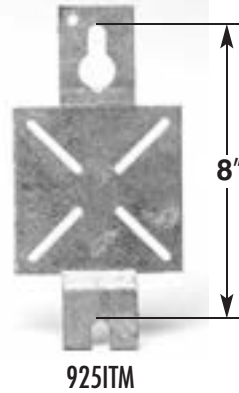
### Mounting Bracket Adapter

3/8 thick c/w 1/2" Hardware and 9/16 hole.

Cat.No.	Length	Hole Size	Std. Pkg.	Wt.-lbs./ C
85MBA	8-1/2"	7/16	25	200



Cat.No.	Description	Hole Size	Std. Pkg.	Wt.-lbs./ C
925ITM	4-1/2 x 4-1/2	9/16	25	100





# Communication Hardware

## WEDGE GRIPS & DRIVE HOOKS

### Drive Hook

Hot dip Galvanized. C.S.A. Drawing No. H-3.

Cat.No.	D	L	Std. Pkg.	Wt.-lbs./ C
765DH	7/16" Diameter	5"	100	36



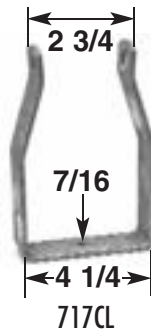
765DH

### Shackle: Dead End

Fits a 3 1/4 x 4 1/4 cross arm - used to break or dead end bare signal wires.

Cat. No.	Hole Size	Std.Pkg.	Wt.-lbs./ C
717CL	3/8	25	300

Comes complete with 5/8 x 3" Button Head Rivet.



717CL

### Wedge Grips

Cat.No.	Flexible Bail No.	Range			Std.Pkg.	Wt.-lbs./ C	Blackburn Cross Reference (Solid Bail)
		Wire Stranded	Solid	A.C.S.R.			
14WG	14WGF	1 - 4	1 - 4	2-6	50	17	W62AA
103WG	103WGF	1/0-3	1-2	1/0 - 4	50	32	W20AA
4020WG	4020WGF	4/0-2/0	-	4/0 - 1/0	50	35	W40AA



14WG



14WGF



## CLAMPS

### Kling Clamp

Made from 16 gage galvanized steel complete with 3/8 bolt, 2 washers and hex nut.

Cat.No.	Hole Diameter	Clamp Size	Wt.-lbs./ C
516CK	1/2"	3/4" space	25



516CK

### Wire Drop Clamp

Hook style. Can be used without U bolt.

Cat.No.	Description	Std.Pkg.	Wt.-lbs./ C
2513	5/16 U Bolt c/w Drop Wire Hook	50	50



2513

### Wire Drop Clamp

Oval Eye Style. Can be used without U Bolt.

Cat.No.	Description	Std.Pkg.	Wt.-lbs./ C
2515	5/16 U Bolt c/w Eye	50	50



2515

### Neutral Clamp

- Aluminum alloy suspension clamp is designed to support triplex secondary conductors at the pole.
- One clamp section is tapped for mounting on a 5/8" through bolt.
- Allows use of clamp on shallow angles up to 10 degrees as well as straight runs.

Cat.No.	Description	Conductor Range	Wt.-lbs./ C
240TSC	Aluminum suspension - Triplex Clamp	2 to 4/0 ACSR	50



240TSC



# Communication Hardware

## CLAMPS & POLE STEPS

### Parallel Groove Clamp

Top and bottom castings are malleable iron, Hot dip galvanized.  
Spacer is tinned bronze for use on aluminum and copper.

Cat.No.	Cable Sizes		Std.Pkg.	Wt.-lbs./ C
	Maximum	Minimum		
4468PGC-38	4/0-4/0 Str	# 6 SOL - # 8 SOL	100	56



4468PGC-38

### Standard Pole Step

Threads are fetter drive-driving surface is flat.

Cat.No.	D	L	Std. Pkg.	Wt.-lbs./ C
10SPS	5/8"	10"	50	90



10SPS

### Wire Clip

Made of 16 gage galvanized steel.

Cat.No.	Hole Size	Wire Size	Std. Pkg.	Wt.-lbs./ C
1CDW	3/16	5/16	500	1



1CDW

### Clamp

Lashing Wire Clamp - Galvanized formed steel clamp used to terminate the cable lashing wire.

Cat.No.	Strand Size	Std. Pkg.	Wt.-lbs./ C
LWC10	1/4 - 7/16	100	3



LWC10

### Dead End Clamp

For Copper wire and ACSR.

Cat.No.	Description	No. of Clamps	Std. Pkg.	Wt.-lbs./ C
610DC	6 SOL Copper - 1/0 str. copper	1	100	55



610DC

1 3/4

1 1/4

# Cross Arm Braces



## BRACES

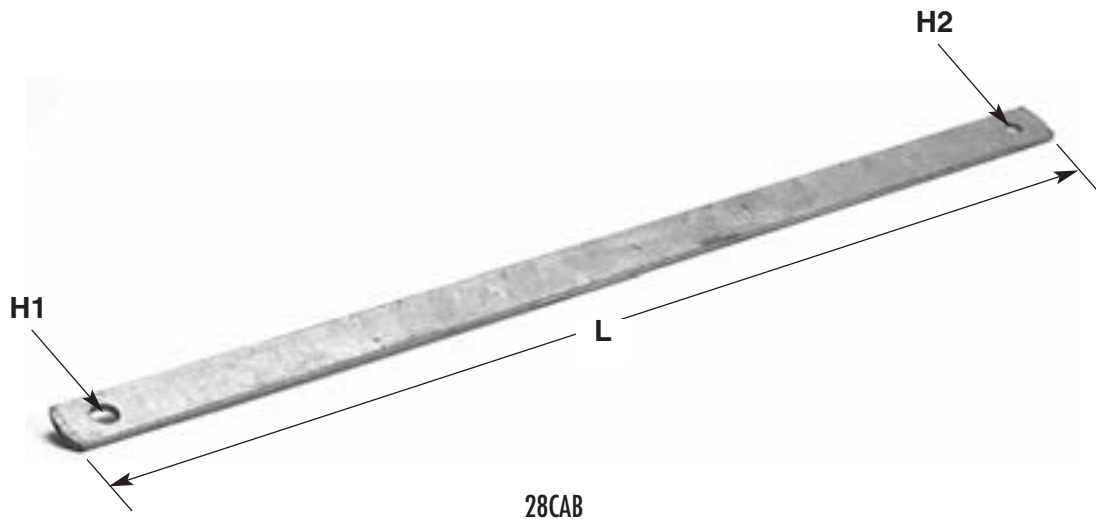
### Cross Arm Braces

Galvanized steel, flat. One end is punched for a 3/8" bolt and the other end for a 1/2" lag screw.

C.S.A. Specification C83.21: Stock size 1-1/4 x 3/16 and 1-1/2 x 3/16

Cat. No.	L	H1	H2	Std.Pkg.	Wt.-lbs./ C
18CAB	18"	13/32"	17/32"	25	112
20CAB	20"	13/32"	17/32"	25	128
22CAB	22"	13/32"	17/32"	25	144
24CAB	24"	13/32"	17/32"	25	160
26CAB	26"	13/32"	17/32"	25	176
28CAB	28"	13/32"	17/32"	25	192
30CAB	30"	13/32"	17/32"	25	208
32CAB	32"	13/32"	17/32"	25	212
34CAB	34"	13/32"	17/32"	25	232
36CAB	36"	13/32"	17/32"	25	248
28CAB-1	28"	13/16"	9/16"	25	192
32CAB-MH	32"	13/32"	17/32"	25	235

Add suffix 13 when end holes are required with 13/16" diameter.





# Distribution

## BRACKETS FOR CUT OUT SWITCHES & ARRESTORS

### Mounting Brackets For Cutouts, Arrestors and Switches (Pole Mounting)

Cutout/arrestor bracket comes with 1/2" threaded bolts, lockwashers and nuts for equipment mounting.

Cat.No. 15BCA - with one 11/16" mounting hole, made from channel for pole mounting, 14-1/8" long, slanted tip.

Cat.No. 152BCA - with one additional 7/16" mounting hole, straight tip.

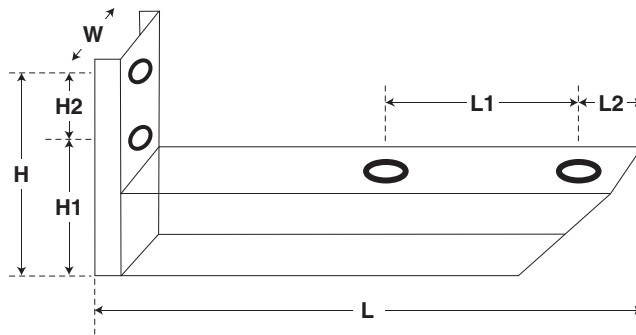
Cat.No. 201BCA - As above, but 20" long and welded construction.

Cat.No. 243BCA - 24" long, one 11/16" mounting hole, welded construction, slanted tip.

Cat. No.	Construction	L	L1	L2	H	H1	H2	W	End	Hardware
13BCA	Structural Channel	15.00"	4.75"	0.80"	8.25"	4.12"	2.75"	2.00"	Straight	1/2-13 x 1-1/4
15BCA	Structural Channel	14.38"	4.75"	0.88"	7.81"	3.58"	5.08"	2.00"	Angle	1/2-13 x 1-1/2
152BCA	Structural Channel	14.38"	4.75"	0.88"	7.71"	3.58"	5.08"	2.00"	Straight	1/2-13 x 1-1/2
154BCA-NB	Fabricated Channel	16.38"	4.87"	0.75"	7.00"	0.62"	3.75"	2.50"	Angle	1/2-13 x 1-1/2
18BCA	Fabricated Channel	18.75"	9.31"	0.75"	7.00"	3.75"	1.62"	2.50"	Angle	1/2-13 x 1-1/2
195BCA	Structural Tubing	20.00"	9.31"	0.75"	7.87"	3.75"	1.62"	2.50"	Straight	1/2-13 x 2-1/2
201BCA	Fabricated Channel	20.00"	9.31"	0.75"	7.00"	3.75"	1.62"	2.50"	Angle	1/2-13 x 1-1/2
241BCA	Structural Tubing	24.25"	13.38"	0.75"	7.25"	3.75"	1.75"	2.50"	Angle	1/2-13 x 3-1/4
242BCA	Structural Tubing	24.25"	13.38"	0.75"	7.25"	0.50"	3.875"	2.50"	Straight	1/2-13 x 3-1/2
243BCA	Fabricated Channel	24.00"	9.31"	0.75"	7.00"	0.50"	3.875"	2.50"	Angle	1/2-13 x 1-1/2
245BCA	Structural Tubing	24.69"	14.00"	0.75"	7.87"	1.00"	3.00"	4.00"	Straight	1/2-13 x 2-1/2

All brackets conform to C.S.A. C83-118-12-1985  
Other sizes and shapes available on request.

251LAB	Structural Tubing	20.00"	1.57"	1.00"	8.07"	1.00"	6.00"	4.33"	Straight	1/2-13 x 3
252LAB	Structural Tubing	20.00"	1.57"	1.00"	8.07"	1.00"	6.00"	4.33"	Straight	1/2-13 x 2



152BCA



234BCA



251LAB

# Distribution

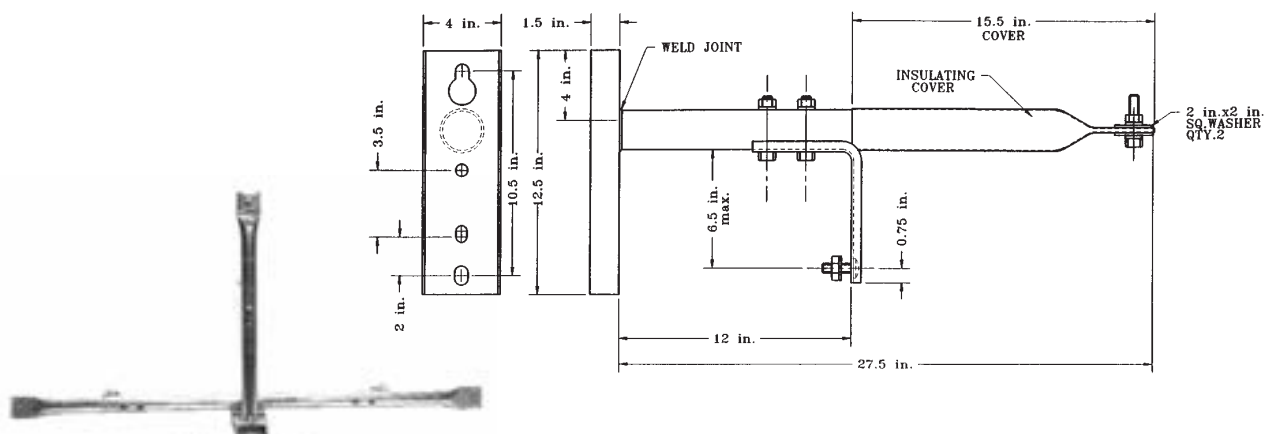
## CUT OUT ARRESTOR BRACKETS



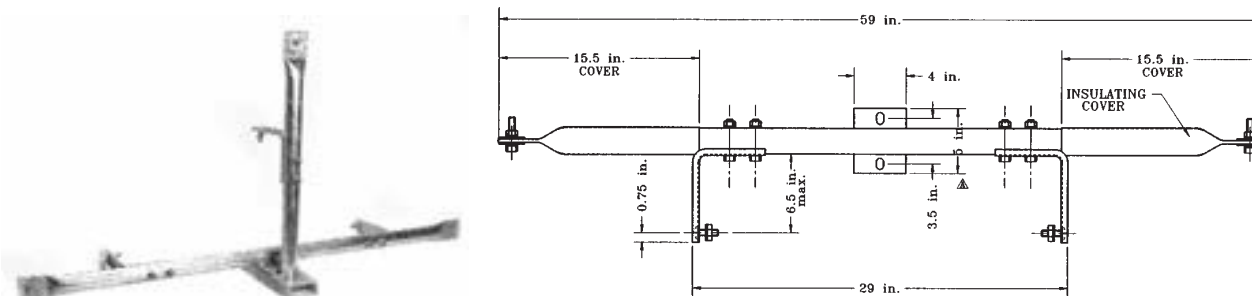
### Cut Out Arrestor Brackets

- Available in single phase, two phase and three phase.
- Rubber coating on all phases.
- Tubular style.
- Easy installation.

Cat.No.	Description	Pkg.Qty.
12712CAB	Single phase	1
25929CAB	Two phase	1
35929CAB	Three phase	1



NOTE: SUPPLIED WITH 1/2 in. HEX BOLTS, NUTS, AND LOCK WASHERS



NOTE: SUPPLIED WITH 1/2 in. HEX BOLTS, NUTS, AND LOCK WASHERS

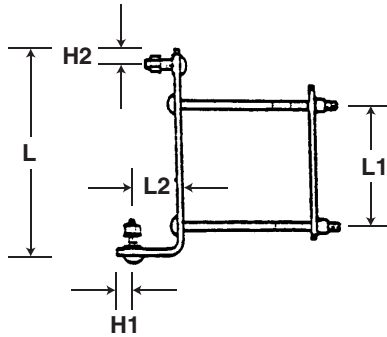


# Distribution

## CUTOUT & ARRESTOR BRACKETS

### Mounting Brackets for Cutouts and Arrestors (Cross Arm Mounting)

Cat.No.	L (inches)	L1 (inches)	L2 (inches)	H (inches)	H1 (inches)	H2 (inches)	Single Bolt	Hardware Used	
385CMB	8.375	6.89	4.87		3/4		1/2 x 1-1/2 CB	3/8 x 7 CB	
387CMB	10-7/8	7-5/8			3/4	3/4	1/2 x 1-1/2 CB x 2 Bolts	3/8 x 7 CB	
3856CMB	19-3/4	6.89			3/4		1/2 x 1-1/2 CB	3/8 x 7 CB	
3872CMB	10-7/8	7-5/8			3/4	3/4	1/2 x 1-1/2 CB	3/8 x 7 CB	
386CMB	7-7/8	7-7/8	4-13/16	2-1/4	3/4		1/2 x 1-1/2 CB	3/8 x 6 CB	c/w Ground Lug on Angle Bracket
4738CMB	7-1/2	6-3/4	5-7/8	1-1/2	3/4		1/2 x 1-1/2 CB	3/8 x 6 CB	
388CMB	8	N/A	8		3/4		1/2 x 1-1/2 CB		
3861CMB	7-7/8	N/A	5		3/4		1/2 x 1-1/2 CB		



385CMB

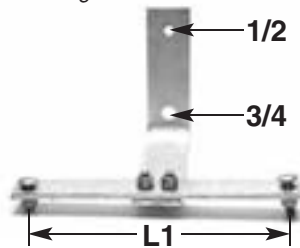


387CMB

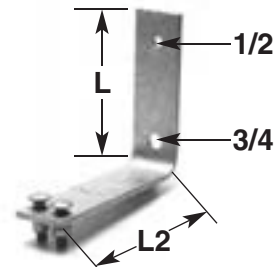
### Pole Mounting Bracket

Cat.No.	L (inches)	L1 (inches)	L2 (inches)	H1 (inches)	Hardware	Std.Pkg.	Wt.-lbs./ C
411PMB	7.937	13-1/2	9	1"	1/2 x 2 CB x 1 pc 1/2 x 1-1/2 CB x 3 pcs	5	700
415PMB 2025PMB	7.937	- 10	9	1"	1/2 x 2 CB x 2 pcs	10	400

Available with 13/16 mounting holes - add suffix 13.



411PMB



415PMB



# Distribution

## TRANSFORMER MOUNTING



### Transformer Cluster Mount

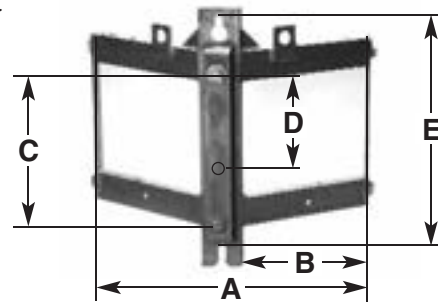
For mounting 3 transformers with the following maximum weights:  
 40TCM up to 3 x 650 lbs.  
 65TCM up to 3 x 1300 lbs.  
 100TCM up to 3 x 2250 lbs.  
 Bolts for mounting transformers included. Lifting eye provided.

Cat.No.	Dimensions					Std.Pkg.	Wt.-lbs./each
	A	B	C	D	E		
40TCM	29-7/8	11-3/8	15	-	23-1/2	1	40
65TCM	34-1/4	12-7/8	22	15	27-5/8	1	65
100TCM	34-3/8	12-1/8	29	22	37-1/2	1	100
* 654TCM	34-1/4	12-7/8	22	15	27-5/8	1	65
652TCM	34-1/4	12-7/8	22	15	30-1/2	1	67

Holes are provided for grounding clamps, insulator pins and stabilizing braces.  
 Stabilizing brackets available upon request.  
 \*with stabilizer bracket



Stabilizer Bracket

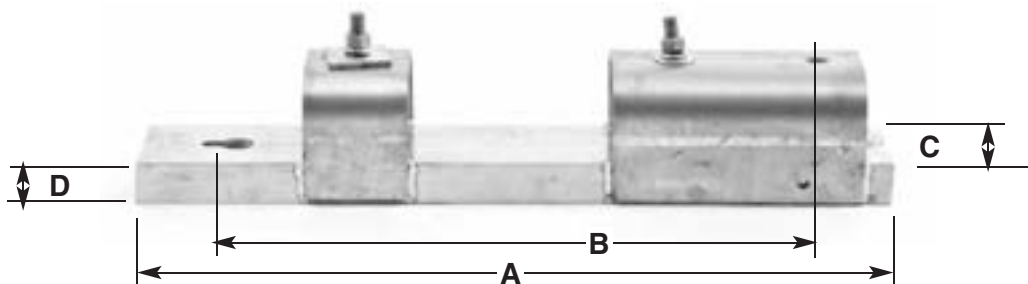


65TCM

### Aluminum Transformer Mounting Bracket

Single transformer mounting bracket. For transformer up to 1300 lbs.  
 C/W 3/4" x 3" Galvanized Bolts, Flatwasher, Lockwasher, and Nut  
 Top mounting hole supplied with two 1-4" x 3" square washers.

Cat.No.	Dimensions				Std.Pkg.	Wt.-lbs./each
	A	B	C	D		
AH370TM	36	30	6	2	1	40
AH349TM	35	29-11/16	6	2	1	65





# Distribution

## TRANSFORMER MOUNTING

### Universal Mounting Bracket with Adapter Plates

Universal mounting bracket consists of 3 brackets and one plate bolted together. Bolts and ground-ing clamp included. 3 only 3/4" mounting bolts also included.

Horizontal adapter plate for transformers with 15", 22" or 29" bracket spacing - 5/8" mounting bolts and washers included.

Vertical adapter plate for transformers with 15" mounting bracket- 3/4" mounting bolts and wash-ers included or 11/16" hardware.

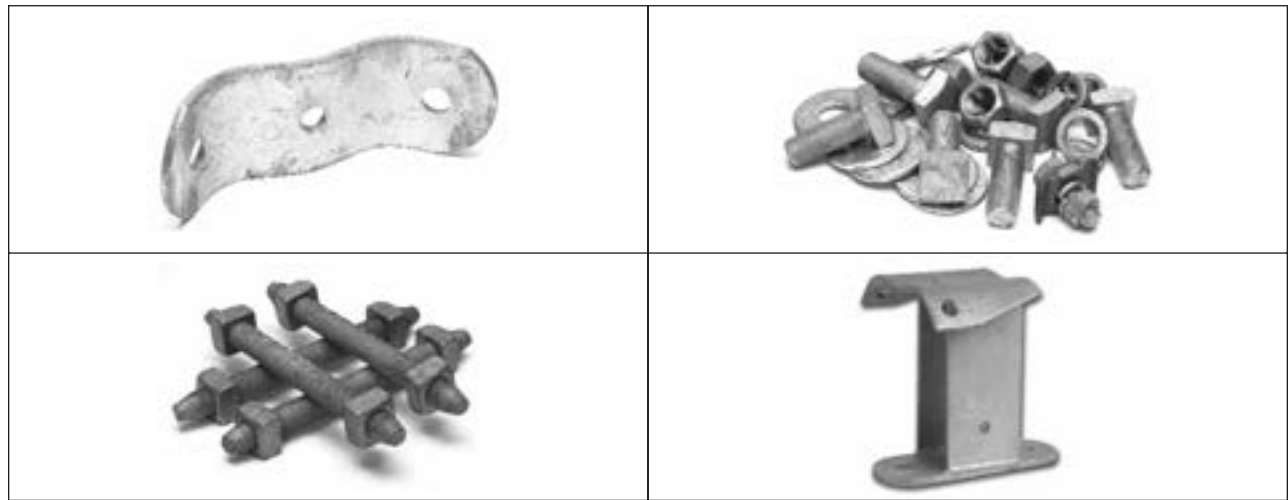
Cat. No.	Description	Std. Pkg.	Wt.-lbs./ each
65UMB	Universal mounting bracket (2-phase type)	1	36
95UMB	Universal mounting bracket (3-phase type)	1	45
95UMB-13	3 phase c/w 13/16 Keyhole	1	45
35UMB-13	Single phase c/w 13/16 Keyhole	1	25
35UMB	Universal mounting bracket 1-phase	1	25
14HAP	Horizontal adapter plate	6	7
15VAP	Vertical adapter plate	9	6
15VAP-11	Vertical adapter plate -11/16 hole c/w 3 bolts	9	6

3 methods of installation:

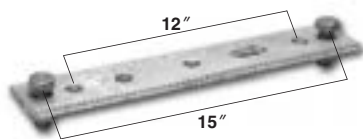
#1: Using 2 sets of 95UMB spaced vertically to fit transformers with 15", 22" or 29" brackets - 3/4" mounting bolts (included in 95UMB package).

#2: Using 1 set of 95UMB with 15VAP vertical adapter plates - 3/4" mounting bolts.

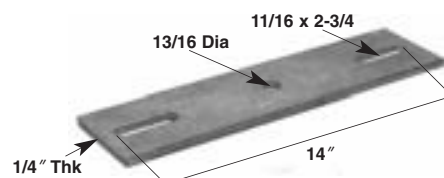
#3: 2 sets of 95UMB with 2 sets of 14HAP horizontal adapter plates- 5/8" mounting bolts- for transformers without direct pole mounting feature.



95UMB (Kit)



15VAP



14HAP

# Distribution

## TRANSFORMER MOUNTING



### Universal Mounting Bracket with Adapter Plates

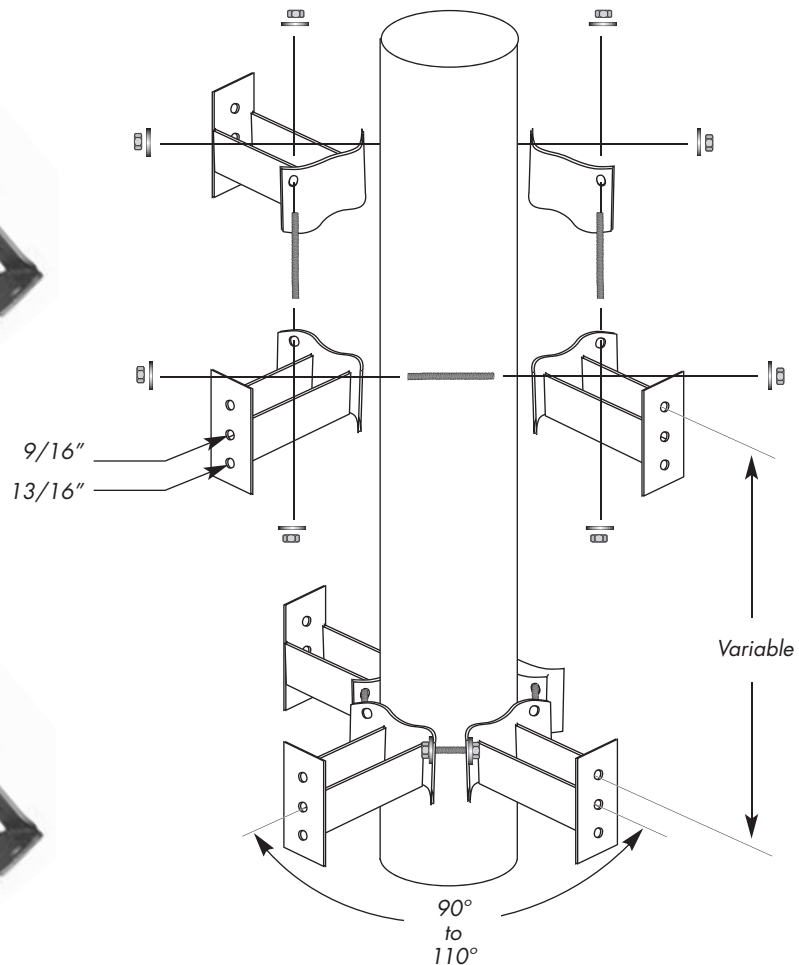
Galvanized Steel - Universal mounting bracket consists of 3 brackets and one plate bolted together. Bolts and grounding clamp included.



95UMB

- 1: The height varies depending of the power of the transformer to be installed
- 2: The total weight of the transformer group should NOT exceed 2460kg and the weight of a singler one 700kg
- 3: Mounting support for three single-phase transformers from 25 to 167 kVA, with 3/4" dia. mounting bolts

95UMB - Two Units Shown





# Distribution Hardware

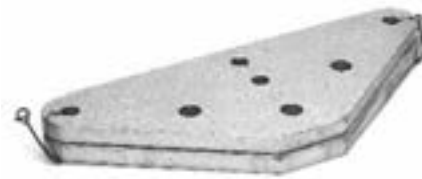
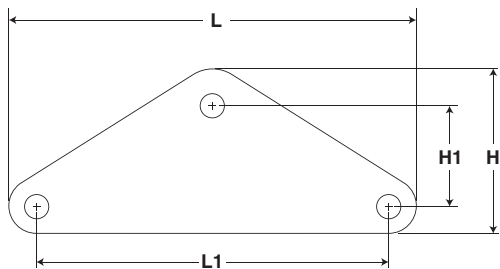
## STRAIN YOKES

### Strain Yokes

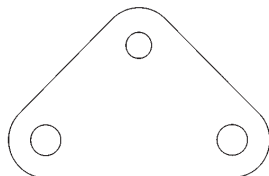
Used on transmission lines to suspend 2 wires from a suspension insulator. Standard design has 3 holes only. Additional holes can be provided on request.

- Customized yoke plates available upon request.

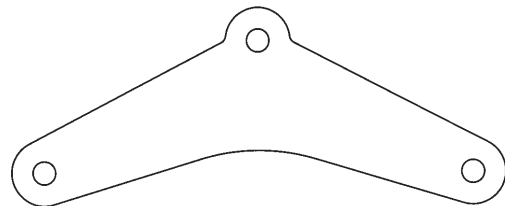
Cat.No.	L	L1	H	H1	Thickness	Min. Rated
5SY	7"	5.00"	4.5"	2.5"	.500"	
8SY	10"	8.00"	6.75"			
13SY	15"	13.00"	6.00"	3.69"	.625"	25,000LBS.
18SY	20"	18.00"		4.187"	.625"	30,000LBS.
13SYM	14"	13.00"	5.74"	3.94"	.625"	25,000LBS.
12SYB	14"	12.00"	6.00"	5.00"	.625"	
1334SY	15"	13.00"	6.75"	3.69"	.750"	
132SY	15"	13.00"	6.00"	3.69"	.625"	



132SY



5SY



Available upon request

# Insulators (Porcelain)

**STRAIN, SUSPENSION, SPOOL, PIN TYPE**



## Wet Insulators

Cat. No. Hydel	K.V.L.F CdnPorc	COB	L (")	W (")	Flashover (Dry)	Flashover (Wet)	Nominal KV	Pin Diameter	Minimum Pin Height	Std.Pkg.	Wt.-Lbs. / C	ANSI Class No.
Spool Insulator (WSPG):												
1606WSPG	2011	----	2-1/8	2-1/4	20	8/10	8 (vert) 10 (hor)	1/2	120	50	51	53-1
355WSPG	2012	----	3	3-1/8	25	12/15	12 (vert) 15 (hor)	5/8	50	50	126	53-2
Guy Strain Insulator (WGS):												
502WGS	502	3-1/2	2-1/2	25	12	5/8		5/8	50	50	100	54-1
504WGS	504	31504	4-1/4	2-7/8	30	15	4.4	1/2	40	50	170	54-2
506WGS	506	32506	5-1/2	3-3/8	35	18	6.6	5/8	20	25	240	54-3
451WGS	451	31352	6-3/4	3-1/2	40	23	6.6	5/8	20	25	455	54-4
Pin Type Insulator (WPT):												
505WPT	28085	100231	3-1/4	3-3/4	50	25	7.2	1	3-3/4	32	164	----
555WPT	555	12847	3-1/4	3-3/4	50	25	7.2	1	3-3/4	32	154	55-2
5916WPT	5916.Q	38148	3-3/4	4-3/4	65	35	13.2	1	4-3/4	24	238	55-3
2783WPT	2783.Q	38149	4-1/2	5-1/2	70	40	13.2	1	4-3/4	18	350	55-4
2785WPT	2785.Q	38151	4-5/8	7	85	45	15	1	6	8	600	55-5
3930WPT	3930.Q	38222	6-1/4	9	110	70	23	1-3/8	7	3	1200	56-2
4575WPT	4575.Q	38223	7-1/2	10 1/2	125	80	36	1-3/8	8	3	1900	56-3
4830WPT	4830.Q	38255		12	140	95	36	1-3/8	10	3	2935	56-4
Suspension Insulator (WSU):												
26434WSU	28674	42399	6-1/4	4-1/4	50	30	6	5/8		6	630	----
8080WSU	28676	32433	5-1/2	6	60	30	6	5/8		6	680	52-1
6500WSU	6500	32439	5-3/4	10	80	50	16	5/8		6	1200	52-4



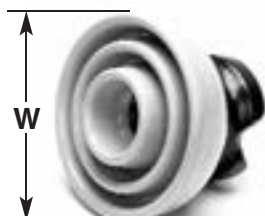
504WGS



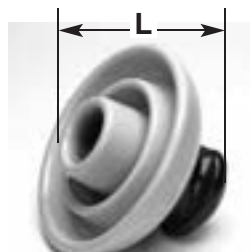
506WGS



355WSPG



2783WPT



3930WPT



8080WSU



# Grounding

## RODS & PLATES

### Ground Rods, Galvanized

All Ground Rods come with cone point.

Cat.No.	Size	Pkg.Qty.	Wt.-lbs./ C
1205G	1/2 x 5'	10	330
1206G	1/2 x 6'	10	395
1207G	1/2 x 7'	10	460
5806G	5/8 x 6'	10	600
5807G	5/8 x 7'	5	700
5808G	5/8 x 8'	5	800
5810G	5/8 x 10'	5	1000
3406G	3/4 x 6'	5	900
3408G	3/4 x 8'	5	1200
3410G	3/4 x 10'	5	1500
3420G	3/4 x 20'	1	3000
1008G	1 x 8'	3	2200
1010G	1 x 10'	2	2500
Black Ungalvanized Ground Rods:			
5808B	5/8 x 8'	5	800
5810B	5/8 x 10'	5	1000



3410G

### Grounding Plate

One grounding plate. One ground connector. Shallow pit required. No power equipment required. Ground plates are easy to carry and transport. One ground plate weighs only 11 lbs. each. Pit in which ground plate rests must remain open until inspection has taken place.

Cat.No.	Description	Pkg.Qty.	Wt. Ea.
Ontario / Atlantic / British Columbia:			
1016GPGC	1/4" x 10" x 16" plate c/w bronze grounding connector, galvanized #733.C, wire range #8 to 3/0	4	11.5 lbs.
1016GPG	10" x 16" grounding plate less connector, galvanized	4	11 lbs.
Alberta:			
1016GPL	1/4" x 10" x 16" black plate, not galvanized	4	11 lbs.
1016GPC	1/4" x 10" x 16" black plate, c/w connector, not galvanized	4	11.5 lbs.

CSA approved and stamped.  
Also available with 3/4" shank.



1016GPGC

# Grounding Connectors

## CONNECTORS



### Connectors

(Galvanized Steel)

Cat. No.	Size	Pkg. Qty.	Wt.-lbs./ C
712	1/2" rods	50	65
725	5/8-3/4 rods	50	65
710	3/4 -1" rods	50	70
714R	1/2" strand	50	45
Connector (Malleable Castings)			
758	5/8-1" rods	100	20
758C	5/8-1" bronze	100	20



710



758



714R

### Bronze Grounding Connectors

Cat.No.	Rod Size	Maximum Wire Size	Wt.-lbs./c
712C	1/2"	1/0 Str.Cu.	27
729C	5/8"	# 2 Str.Cu.	17
733C	3/4"	3/0 Str.Cu.	23
734C	3/4"	4/0 Str.Cu.	36
710C	1"	25 OMCM Str.Cu.	100
120CU	1" - 5/8"	2/0 Str.Cu.	68
1250CU	1" - 5/8"	25 OMCM Str.Cu.	68



729C



120CU

### Ground Rod Driver

– is made of 1.1/2" double extra heavy steel pipe 4' with a steel plug doweled & welded in the top end.

Cat.No.	Size	Pkg. Qty.	Wt.-lbs/ C
780	5/8-3/4"	1	2700
Ground Rod Driver Extension			
781	5/8 x3/4"	1	1500
Sectional threadless Coupling for Galvanized threadless Rods			
34 SGC	Zinc 3/4	25	33
58 SGC	Zinc 5/8	25	33



34 SGC



# Grounding

## COPPER CLAD RODS

### Copper Clad Ground Rods And Connectors

Rods are bundled in bundles of 5, connectors packaged in packages of 20.

Cat. No.	Size	Wt.-lbs./ C
5806CC	5/8 x 6'	580
5808CC	5/8 x 8'	640
5810CC	5/8 x 10'	800
3406CC	3/4 x 6'	720
3408CC	3/4 x 8'	960
3409CC	3/4 x 9'	1,080
3410CC	3/4 x 10'	1,200
1010CC	1 x 10'	2,130
<b>Sectional Copper Clad Rods</b>		
5808SC	5/8 x 8'	640
5810SC	5/8 x 10'	800
3408SC	3/4 x 8'	960
3410SC	3/4 x 10'	1,200
<b>Couplings</b>		
12SC	1/2"	15
58SC	5/8"	26
34SC	3/4"	42
10SC	1"	85
<b>Driving Studs</b>		
12DS	1/2"	15
58DS	5/8"	23
34DS	3/4"	35
10DS	1"	81

Sectional copper clad rods are threaded at top and bottom. Two or more rods may be coupled together to make up the desired length. Threaded couplings are made of bronze.

Driving studs are made of high strength carbon steel and are used to prevent damage to top-end threads or couplings- 1 stud required every 2 rods.



58SC



34DS





### Copper Grounding Connection Plate

– made of hard copper with slots for # 6 copper wire connectors. Attached to pole with 1/4" lag bolts. Connectors and bolts not included.

Cat. No.	Size	Std.Pkg.	Wt.-lbs/ C
790	Slotted plate (3 Connectors)	20	30
791	Slotted plate (6 Connectors)	20	60



791



790

### Inspection Grounding Boxes

Cat.No.	Size	Std.Pkg.	Wt.-lbs./C
700	10" diameter. x 12" deep (Hot dip Galvanized)	5	1200
724	10" diameter. x 24" deep (Hot dip Galvanized)	1	2400
770	10" diameter. x 12" deep (made from Galvanized Steel)	5	1200
Also 700A, 770A etc. for assembled units.			
711R	Rectangular Inspection Box 6-1/2" x 11-1/2" x 10"	1	1000



711

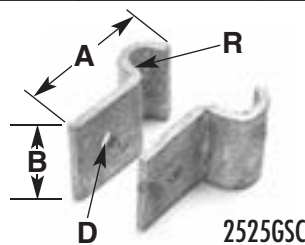


700

### Ground Wire Clips

- Made from 1/8" x 3/4" mild steel
- Used to fasten ground wires on steel structures
- Accommodates conductor range of 1/0 to 2000MCM AWG stranded copper

Cat.No.	A inches	B inches	D inches	R inches	Wt.-lbs. (100 pcs.)	Std.Pkg.
2525GSC	1-1/2	3/4	9/32	3/16	4.5	100
2526GSC	1-1/2	3/4	9/32	15/64	6	100



2525GSC



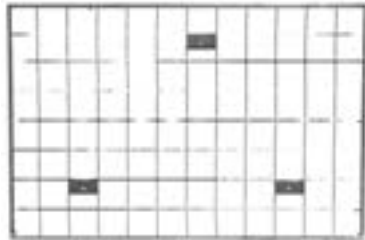
# Grounding

## GRADIENT MATS & STAPLES

### Gradient Control Mat

- Hot dip galvanized, used at switch position in sub-stations.
- Made from 6" x 6" welded mesh 1/4" diameter with pads for installation of 3 grounding connectors.
- Grounding connectors 2/0 AWG-250 MCM included in Cat.No. 6466GCC x 3 pieces.

Cat. No.	Size	Std.Pkg.	Frame	Wt.-lbs./ each
6466GCM	6' x 4'	1	1/8 x 3/4 x 3/4 Angle	35
6466GCC	6' x 4'	1	1/8 x 3/4 x 3/4 c/w conn x 3 pcs. Angle	37
6466GCM1	6' x 4'	1	1/8 x 3/4 x 3/4 (No Connector Pads) Angle	35
6466GCM3	6' x 4'	1	1/8 x 1 x 1 Angle	35
6466GCM5	6' x 4'	1	1/4 x 1-1/4 Bar	35
6466GCM6	6' x 4'	1	1/4 x 1-1/2 Bar	35



6466GCM



2AWGC

### Plastic and Wood Ground Wire Moulding

Cat. No.	Size	Std.Pkg.	Wt.-lbs./ each
701	1/2" plastic moulding in 8' lengths - use # 703 staples	25	2
701W	1/2" wood moulding in 8' lengths - use # 704 staples	10	2
<b>Staples (Galvanized)</b>			
702	2" staple x 1/2" spread	100	3
703	2" staple x 13/16" spread	50	3
704	3" x 1" spread	50	12
705	3" x 1-1/2" spread	100	8
707	1-1/2" x 3/8" spread	100	1
708	2" x 1-1/16" spread	100	3
709	3" x 1-1/16" spread	100	7
713	3" x 1-03/4" spread	50	8

Other sizes available upon request.



701W



703



707



### Guy Wire

C.S.A. standard guy strand formed from 7 individual strands and hot dip galvanized (4 immersion).

Cat. No.	Diameter	Grade and breaking strength lbs.				Wt.-lbs./ C ft.	Wt.-lbs./ C mtrs.
		50	110	160	180		
14GW	1/4"	1,800	3,950	5,750	6,450	12.9	42.31
516GW	5/16"	3,100	6,800	9,900	11,150	22.2	72.82
38GW	3/8"	3,750	8,250	12,000	13,500	27.0	88.56
716GW	7/16"	5,410	11,900	17,300	19,500	38.8	127.26
12GW	1/2"	7,100	15,600	22,700	25,500	51.0	167.28



Guy Wire

### Standard coil and spool sizes carried in stock

Spools:	5,000 feet (1525 meters)	2,500 feet (762.5 meters)
Coils:	500 feet (152.5 meters)	250 feet (76.25 meters)

When ordering, order by Catalogue number length and grade. Please also specify spool or coil.  
 Prices vary only with diameter and grade, not with the size of spool or coil.  
 A cutting charge applies to all special size spools and coils.  
 A deposit charge applies to all spools with less than 2,500 feet of wire.

### Aluminum Tie Wire

Cat.No.	Description	Wt./1000 feet
4TWA	# 4 gauge	34 lbs.



4TWA



# Guards

## STRAIGHT & FLARED

### U-Cable Guards

For the protection of rising cable at the lower end of poles. Made from Hot dip galvanized 14 gauge Steel or 1100 grade aluminum to C.S.A. drawing No. G-3, specification C-83.

Made in 2 styles: Straight (UC & UCA) and flared (UCG & UFA). Flared design will fit over underground duct without the need of an adapter. Throat clips (ATC) to round off sharp edges at the top of cable guards are also available.

Cat. No. (steel)	Cat. No. (Aluminum)	L	W	Std.Pkg.	Wt.-lbs./ C (Steel)	Wt.-lbs./ C (Aluminum)
<b>Straight Cable Guards (UC &amp; UCA):</b>						
534UC	534UCA	5'	3/4"	5	330	110
834UC	834UCA	8'	3/4"	5	530	176
5114UC	5114UCA	5'	1-1/4"	5	440	146
8114UC	8114UCA	8'	1-1/4"	5	760	273
5214UC	5214UCA	5'	2-1/4"	5	900	300
8214UC	8214UCA	8'	2-1/4"	5	1300	433
5314UC	5314UCA	5'	3-1/4"	5	1100	366
8314UC	8314UCA	8'	3-1/4"	5	2000	666
5334UC	5334UCA	5'	3-3/4"	3	1500	500
8334UC	8334UCA	8'	3-3/4"	3	2160	720
8414UC	8414UCA	8'	4-1/4"	3	2800	933
55UC	55UCA	5'	5"	3	2250	694
85UC	85UCA	8'	5"	3	3400	914
8514UC	8514UCA	8'	5-1/4"	3	3425	931
86UC	86UCA	8'	6"	3	3400	994
<b>Flared Cable Guards (UCF &amp; UFA):</b>						
5114UCF	5114UFA	5'	1-1/4"	5	460	153
8114UCF	8114UFA	8'	1-1/4"	5	840	280
5214UCF	5214UFA	5'	2-1/4"	5	930	310
8214UCF	8214UFA	8'	2-1/4"	5	1300	443
5314UCF	5314UFA	5'	3-1/4"	5	1540	513
8314UCF	8314UFA	8'	3-1/4"	3	1850	620
8334UCF	8334UFA	8'	3-3/4"	3	2450	816
8414UCF	8414UFA	8'	4-1/4"	3	3010	1029
55UCF	55UCFA	5'	5"	3	2025	812
85UCF	85UFA	8'	5"	3	3200	1100
8514UCF	8514UCFA	8'	5-1/4"	3	3475	1152
86UCF	86UFA	8'	6"	3	3610	1221
11UF	-	29.5"	11.417'	1	3010	N/A

Other sizes available upon request.  
Custom flares available upon request.



8214UCF



8214UC



8214UFA



11UF

# Guard Straps

## STRAPS



### Straps

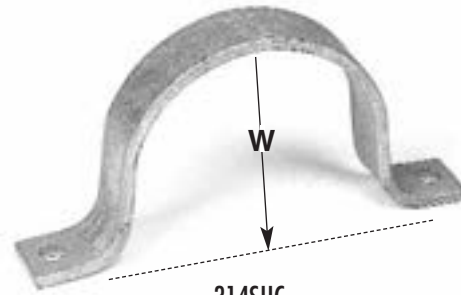
Galvanized and Aluminum

Straps		L	W	Std.Pkg.	Wt.-lbs./ C (Steel)	Wt.-lbs./ C (Aluminum)
Cat.No. (Steel)	Cat.No. (Aluminum)					
Straps (SUC & SCA):						
34SUC	34SCA	3/4 x 1/8	3/4"	200	12	4
114SUC	114SCA	3/4 x 1/8	1-1/4"	200	15	5
214SUC	214SCA	1 x 1/8	2-1/4"	100	24	8
314SUC	314SCA	1 x 3/16	3-1/4"	100	60	20
334SUC	334SCA	1 x 3/16	3-3/4"	50	70	23
414SUC	414SCA	1 x 3/16	4-1/4"	50	80	26
50SUC	50SCA	1 x 3/16	5"	25	90	30
60SUC	60SCA	1 x 3/16	6"	25	100	36

Other sizes available upon request.



214SCA



314SUC

### Aluminum Throat Clip (ATC)

Cat. No.	Size	Std.Pkg.	Wt.-lbs/ C
114ATC	used on 1 1/4" guard	50	15
214ATC	used on 2 1/4" guard	50	25
314ATC	used on 3 1/4" guard	25	62
334ATC	used on 3 3/4" guard	25	69



314ATC



# Guy Guards

**PLASTIC/STEEL**

## Guy Guards

Made from polyethylene (YG) or 14 gauge galvanized steel (SGG)

Cat.No.	Length	Colour	Std. Pkg.	Wt.-lbs./ C
2YG	2M	Yellow	10	325
7SGG	7'	Galvanized Steel	5	1100



2YG



7SGG



## Guy Hooks

34GH made of ductile iron for use with 5/8" or 3/4" bolt. **May be used for down guying attachment. The Guy strand loop may be made on the ground to simplify installation.** The suffix "C" signifies less spurs (for concrete poles).

Cat. No.	Size of Length	Bolt Hole	Std.Pkg.	Wt.-lbs./ C
34GH	6"	13/16	25	118
34GHC (No Spurs)	6"	13/16	25	118
2GH	1.1/2 x 3/8 x 4" 1g	11/16	50	90
Guy Hook Combination -Used with strand or fiberglass strain Insulators				
234GH	6"	13/16	25	130
234GHC	As Above less spurs -Used on concrete poles			



34GH



234GH



2GH



# Guy Plates

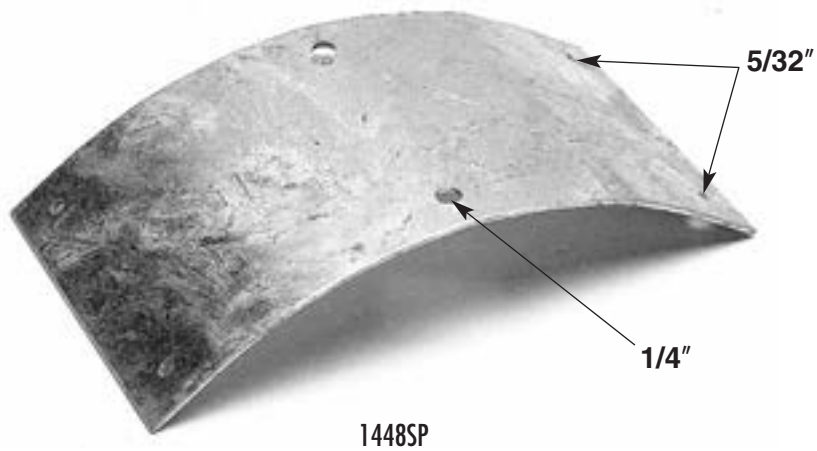
## STRAIN PLATES

### Strain Plates (curved)

To prevent pole cutting by guy or messenger.

Cat.No.	Dimension	Gauge	Std.Pkg.	Wt.-lbs./ C
1448SP	4 x 8	14	50	80
10611SP	6 x 11	10	25	100

Additional sizes available upon request.





# Nuts

**EYE, THIMBLE, SQUARE, HEX**



## Eye Nuts

Hot dip galvanized. Used in Conjunction with oval eye bolts. Oval Eye and Thimble Eye

Cat.No.	Bolt diameter	Pkg.Qty.	Wt.- lbs./C
12EN	1/2	50	70
58EN	5/8	50	70
34EN	3/4	50	70
<b>Single Thimble Nut</b>			
58STN	5/8	25	90
34STN	3/4	24	90
<b>Double Thimble Nut</b>			
34DTN	3/4	25	100



34EN



34STN

## Nuts

Hot dip galvanized and tapped oversize.

Cat. No.	Bolt Size	Std.Pkg.	Wt.- lbs./ C
<b>Square Nuts:</b>			
38NS	3/8	100	3
12NS	1/2	100	8
58NS	5/8	100	13
34NS	3/4	50	24
10NS	1	50	50
<b>Hexagon Nuts:</b>			
38NH	3/8	100	3
12NH	1/2	100	8
58NH	5/8	100	13
34NH	3/4	50	24
10NH	1	50	50

Other sizes available upon request.



34NS



58NS



34NH



58NH

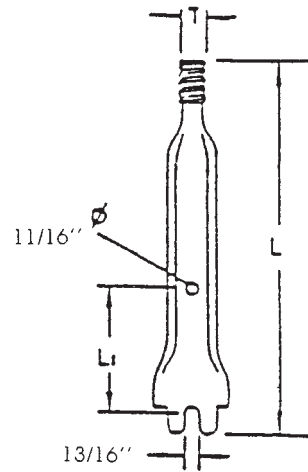
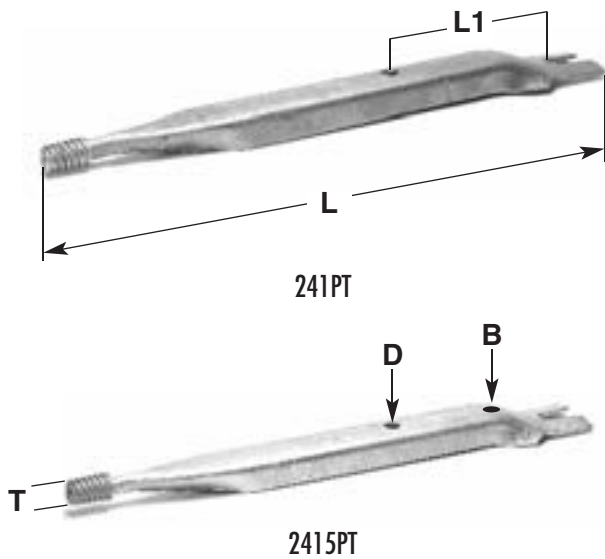


# Pole Top Hardware

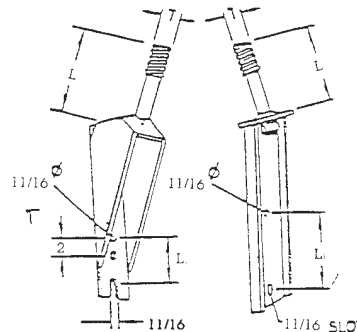
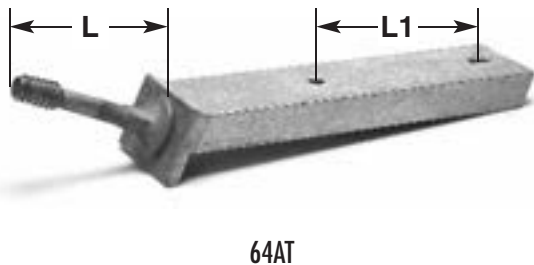
## POLE TOP PINS, ANGLE PINS, ETC.

### Pole Top Pins

Cat.No.	L	L1	Extra Hole B	D	T	Max load lbs. (10° deflection)	Bottom Slot	Std.Pkg.	Wt.-lbs./ C
Pole Top Pin:									
181PT	18	8	-	11/16	1	1,000	13/16	10	370
241PT	24	8	11/16	11/16	1	750	13/16	10	540
243PT	24	8	11/16	11/16	1-3/8	750	13/16	10	610
2415PT	24	8	11/16	11/16	1	750	13/16	10	610
2415PT30K	24	8	11/16	13/16	1	750	11/16	10	610
2415PT11	24	8	9/16	11/16	1	750	11/16	10	610



Cat.No.	L	L1	D	T	(10° deflection)	Max load lbs. Std.Pkg.	Wt.-lbs./ C
Angle Pole Top Pin: (Nylon thread available upon request.)							
64AT	6	8	11/16	1	2,500	4	1400
7114AT	7	8	11/16	1-3/8	2,500	4	1400
434AT	4	8	11/16	1	2,500	4	1140
34114AT	Base only	8	11/16			4	900



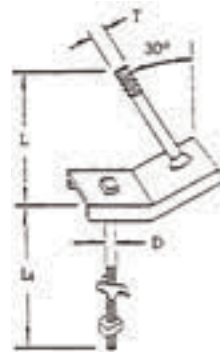
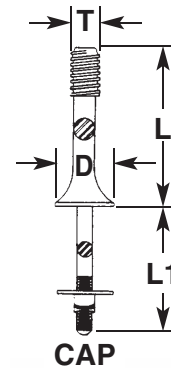
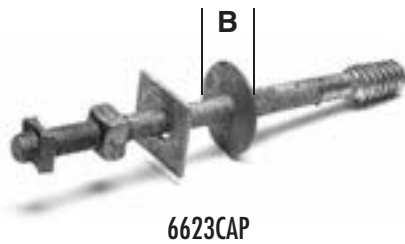
# Pole Top Hardware

## CROSS ARM PINS, ANGLE PINS, ETC.



### Pole Top Pins Cont'd

Cat.No.	L	L1	B	D	T	Max load lbs. (10° deflection)	Std.Pkg.	Wt.-lbs./ C
Cross Arm Steel Pin (Long Shank): (Nylon thread available upon request.)								
4313CAP	4-3/4	5-1/2	1-3/4	1/2	1	500	50	130
3313CAP	3-3/4	5-1/2	1-3/4	1/2	1	1,000	50	125
4302CAP	4-3/4	5-1/2	2	5/8	1	1,500	50	165
6002CAP	6	6-3/4	2	3/4	1	1,500	25	265
6532CAP	6	5-3/4	2	5/8	1	1,000	25	185
6632CAP	6	6-3/4	2	5/8	1	1,000	25	195
803CAP	8	7	3-1/8	3/4	1-3/8	3,000	15	400
1233CAP	12	7	3-3/4	3/4	1-3/8	3,000	10	820
Cross Arm Steel Pin (Short Shank): (Nylon thread available upon request.)								
710CPS	7	1-3/8	3-1/8	3/4	1	2,500	5	245
703CPS	7	1-3/8	3-1/8	3/4	1-3/8	2,500	5	295
5021CPS	5	1-3/8	2-1/4	3/4	1	2,500	10	150
6023CPS	6	1-3/8	2-3/4	3/4	1	2,500	10	165
Angle Pin:								
916ANP	5	6	-	1/2	1	3,000	10	500
1116ANP	5	6	-	5/8	1	3,000	10	500
758ANP	7	6	-	5/8	1-3/8	3,000	10	700
60389	7	6	-	5/8	1	3,000	10	700 (Aluminum Base)
334ANP	6	7	-	3/4	1	3,000	10	750 (Aluminum Base)
Lead Pin Adapter:								
1138LPA	2	-	-	-	1-3/8	-	10	56





# Pole Top Hardware

## POLE TOP BRACKETS, SIDE POST BRACKETS

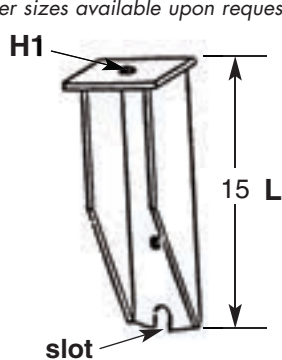
### Pole Top Bracket

1544PTB – Hot dip galvanized Steel for use with line post insulators with stud base rated 13.2 KV to 69 KV. Mounting holes for 5/8" bolts - 8" from bottom.

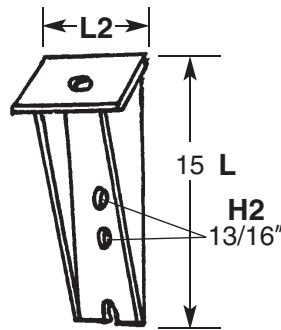
1568PTB – has 13/16" bottom mounting slot, mounting holes 6" & 8"

Cat.No.	Minimum Rated Strength	L	H1	H2	Slot	L2	L1
1544PTB	2500 lbs.	15	13/16	11/16	11/16	5-1/4	5-1/4
1568PTB	2500 lbs.	15	7/8	11/16	13/16	5-1/4	5-1/4
1568PTA	2500 lbs.	15	13/16	11/16	13/16	5-1/4	5-1/4
1568PAO	2500 lbs.	15	13/16	13/16	13/16	5-1/4	5-1/4
1544PTB-78ME		15	15/16	13/16	13/16	5-1/4	4-1/2
1568PTO-15	2500 lbs.	15	15/16	13/16	13/16	6	6
1544PTB13	2500 lbs.	15	13/16	11/16	13/16	5-1/4	5-1/4
1568PTO	2500 lbs.	15	7/8	13/16	13/16	5-1/4	5-1/4
4144PTB		41	7/8	11/16	11/16	5-1/4	5-1/4

Other sizes available upon request.



1544PTB & 1568PTB



1544PTA



1544PTB



1544PTA

### Side Post Bracket

Cat.No.	Minimum Rated Strength	Std.Pkg.	Wt.-lbs./ C
3SBS	2800 lbs.	5	750
9SBS	2800 lbs.	5	1130
9SBP	c/w Plate	5	1400
175SBSO	-	5	1800
175SBP	c/w Plate flush	5	2100
175SBP-1	c/w Plate offset	5	2100



175SBSO



175SBP-1  
9SBP



9SBS  
3SBS

# Pole Insulators

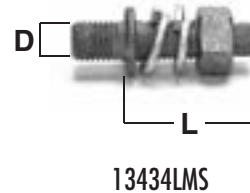
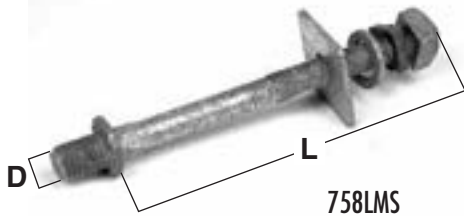


## INSULATOR MOUNTING STUDS AND ANGLE BRACKETS

### Mounting Studs for Insulators

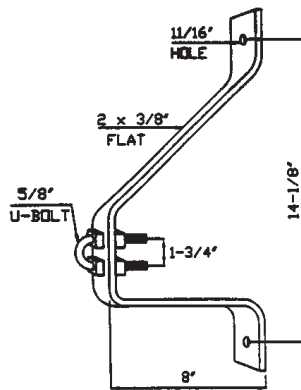
3/4 x 10 UNC threads minimum tensile 20,000 lbs.

Cat. No.	Dim. L in inches	diameter D	Std.Pkg.	Wt.-lbs./ C
13458LMS	1-3/4	5/8	any	50
23434LMS	2	3/4	any	60
758LMS	7	5/8	any	130
734LMS	7	3/4	any	140



### Brackets Angle

Cat.No.	Extension	Std.Pkg.	Wt.-lbs./100
814AB	8"	1	700



814AB



# Pole Mounting

## POLE MOUNTS & POLE BANDS

### Pole Mounts - for mounting poles on rock

Each set consists of four, one inch deformed round steel anchor bars, which are bolted to the pole by pole attachment plates. Pole-through bolts are not included and should be ordered separately. The rock is drilled to the required depth using a 1-1/4" drill. The anchor bolts are grouted in each hole with cement or sulphur.

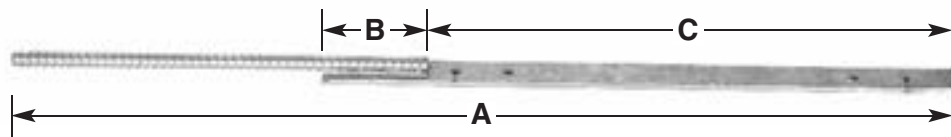
41PRA pole mount sets are for light duty construction and require 5/8" pole-through bolts.

The pole attachment plates are 1/2" x 2- 1/2" steel with 11/16" holes in each plate.

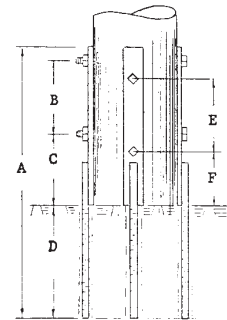
61PRA pole mounts sets are for medium duty construction and require 3/4" pole-through bolts.

The pole attachment plates are 1/2" x 2-1/2" steel with 13/16" holes in each plate.

Cat. No.	Dimensions					Std.Pkg.	Wgt./Set
	A Inches	B Inches	C Inches	Rod Diameter	Plate Thickness		
41PRA	48	7.86	30	1"	1/2"	One set	65
61PRA-1	70.875	7.88	47.25	1"	1/2"	One set	93



61PRA-1



### Heavy pole Bands

Heavy pole bands have 3-way and 4-way style to satisfy various needs. Bands have 9/16" square holes in each band section for accommodation either lag screws or a ground connector.

Add Suffix "S" if 13/16 bolts are required.

Cat. No.	Style	Pole Dia. Range	Approx.Wt.-lbs./100	Std.Pkg.
7124HPB	4 -Way	7 1/2" to 12"	1242	10
8123HPB	3 -Way	8" to 12"	1339	10
11164HPB	4 -Way	11" to 16"	1745	10



7124HPB

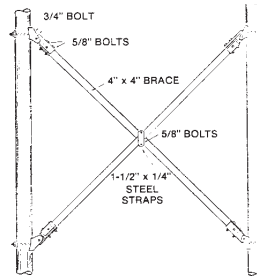
# Pole Bracing

## BRACES & PLATES



### Bracing

Cross bracing hardware-for 4" x 4" braces- through bolts not included.



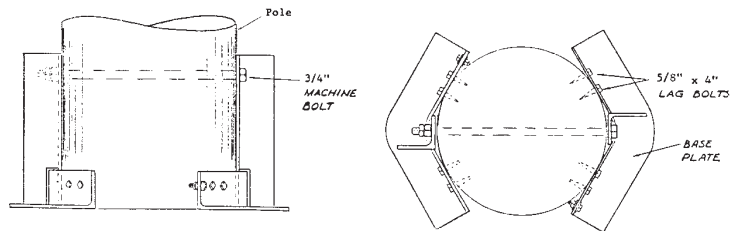
44CBH

Cat. No.	Description	Std.Pkg.	Wgt./100
44CBH	Complete set – welded type X-brace end fittings	1 set	7700

### Pole Bearing Plates

Note: Machine and lag bolts not included.

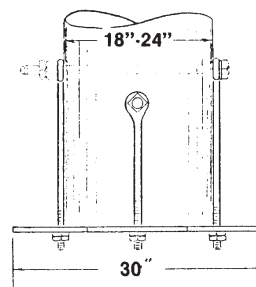
Cat. No. Galvanized	Description-inches	Std.Pkg.	Wgt./100
16PBP	1/4 x 4 x 4 bent angle (used in pairs)	1	3600



### Pole Bearing (or Uplift) Plates

Cat. No.	Description	Std.Pkg.	Wt.-lbs./ C
3830PBP	3/8" plate, 30" octagonal for poles 18" to 24"	1	10,000

Pole through bolts Not Included.  
Other sizes available upon request.



3830PBP



# Preform Grips

## SERVICE & DEADEND GRIPS

### Service Grips

Cat.No.	Diameter Range	ASCR Std.	Colour Code	Cross Reference	Wt.-lbs./ C	Std. Pkg.	Reference Name
Preforms For Triplex (Service Grip Dead End)- Galvanized Steel (Catalogue number indicates length in inches)							
10SG	.167 - .198	6	Blue	10 GSDE	8	200	10 SSG
13SG	.225 - .257	4	Orange	13 GSDE	13	100	13 SSG
14SG	.258 - .289	2-3	Black	14 GSDE	16	100	14 SSG
15SG	.290 - .325	2	Red	15 GSDE	18	100	15 SSG
19SG	.361 - .400	1/0	Yellow	19 GSDE	38	50	19 SSG
21SG	.401 - .450	2/0	Black	21 GSDE	42	50	21 SSG
23SG	.451 - .510	3/0	Orange	23 GSDE	45	50	23 SSG
26SG	.511 - .580	4/0	Red	26 GSDE	52	50	26 SSG
Preforms For Bare ACSR (Distribution Grip Dead End) - Aluminum (Catalogue number indicates length in inches)							
22DG	.228 - .264	4	Orange Swan	DG 4541	15	50	22 ADN
24DG	.289 - .316	2	Red Sparrow	DG 4542	20	50	24 ADN
28DG	.364 - .398	1/0	Yellow Raven	DG 4544	27	40	28 ADN
31DG	.410 - .447	2/0	Blue Quail	DG 4545	31	30	31 ADN
35DG	.460 - .502	3/0	Orange Pigeon	DG 4546	60	25	35 ADN
37DG	.516 - .563	4/0	Red Penguin	DG 4547	60	25	37 ADN



### Uniformed Guy End (Galvanized Steel)

Cat.No.	Diameter	Strength/lbs.	Length	Colour	Std.Pkg.	Wt.-lbs./ C
2514GE	1/4"	6,450	25"	Yellow	60	50
3016GE	5/16"	11,150	30"	Black	40	63
3538GE	3/8"	15,000	35"	Orange	40	106
38716GE	7/16"	20,000	38"	Green	25	175
4512GE	1/2"	26,900	45"	Blue	20	255

Catalogue number indicating length in inches and diameter.



### Guy Thimbles: Hot dip Galvanized Steel

Cat.No.	Strand	Std.Pkg.	Wt.-lbs./ C
38GT	3/8"	250	10
12GT	1/2"	250	22
516GT	5/16"	250	24





# Washers

## SQUARE FLAT WASHERS



### Steel Washers

Square Washers: Hot dip Galvanized. C.S.A. Drawing No. W-1.  
Other sizes and thicknesses available (thicknesses up to 5/8").

Cat.No.	Washer Size	Thickness	Hole Diameter	Std.Pkg.	Wt.-lbs./ C
1822SW9	2 x 2	1/8	9/16	200	15
1822SW11	2 x 2	1/8	11/16	200	15
1822SW13	2 x 2	1/8	13/16	200	15
1844SW11	4 x 4	1/8	11/16	50	60
3622SW9	2 x 2	3/16	9/16	200	22
3622SW11	2 x 2	3/16	11/16	200	22
3622SW13	2 x 2	3/16	13/16	200	22
3624SW9	2-1/4 x 2-1/4	3/16	9/16	200	26
3624SW11	2-1/4 x 2-1/4	3/16	11/16	200	26
3624SW13	2-1/4 x 2-1/4	3/16	13/16	200	26
3633SW11	3 x 3	3/16	11/16	50	90
3633SW13	3 x 3	3/16	13/16	50	90
3644SW11	4 x 4	3/16	11/16	50	82
3644SW13	4 x 4	3/16	13/16	50	82
1433SW11	3 x 3	1/4	11/16	50	63
1433SW13	3 x 3	1/4	13/16	100	63
1444SW11	4 x 4	1/4	11/16	50	110
1444SW13	4 x 4	1/4	13/16	50	110
3844SW18	4 x 4	3/8	1-1/8	50	160
3866SW18	6 x 6	3/8	1-1/8	20	372
1266SW18	6 x 6	1/2	1-1/8	10	400

Other sizes available upon request.  
Same sizes available in curved.



1433SW13



# Washers

## SQUARE CURVED WASHERS

### Curved Washers

Hot dip Galvanized. C.S.A. Drawing No.W-2

Other sizes and thicknesses available upon request.

Cat.No.	Washer Size	Thickness	Hole Diameter	Std.Pkg.	Wt.-lbs./ C
3622CW11	2 x 2	3/16	11/16	200	22
3622CW13	2 x 2	3/16	13/16	200	22
3624CW11	2-1/4 x 2-1/4	3/16	11/16	100	26
3624CW13	2-1/4 x 2-1/4	3/16	13/16	100	26
3625CW11	2-1/2 x 2-1/2	3/16	11/16	100	30
3625CW13	2-1/2 x 2-1/2	3/16	13/16	100	30
3633CW11	3 x 3	3/16	11/16	50	90
3633CW13	3 x 3	3/16	13/16	50	90
1433CW11	3 x 3	1/4	11/16	50	60
1433CW13	3 x 3	1/4	13/16	100	60
1433CW15	3 x 3	1/4	15/16	50	60
1434CW11	3-1/4 x 3-1/4	1/4	11/16	50	70
1434CW13	3-1/4 x 3-1/4	1/4	13/16	50	75
1444CW13	4 x 4	1/4	13/16	50	110
1445CRW15	4 x 5	1/4	15/16	20	125
3835CW13	3-1/2 x 3-1/2	3/8	13/16	20	150
3844CW13	4 x 4	3/8	13/16	20	160
3844CW16	4 x 4	3/8	1"	20	160
3844CW17	4 x 4	3/8	1-1/16	20	160
3844CW18	4 x 4	3/8	1-1/8	20	160
3845CRW13	4 x 5	3/8	13/16	20	180
3845CRW18	4 x 5	3/8	1-1/8	20	180
1244CW15	4 x 4	1/2	15/16	5	210
1244CW17	4 x 4	1/2	1-1/16	5	210
1245CRW18	4 x 5	1/2	1-1/8	5	250
1248CW17	4 x 8	1/2	1-1/16	5	350
1258CW17	5 x 8	1/2	1-1/16	5	400
1266CW18	6 x 6	1/2	1-1/8	5	350

Other sizes available upon request.  
Same sizes available in flat form.



1433CW13

# Washers

## ROUND, BEVELLED WASHERS



### Round Washers

Hot dip Galvanized.

Bolt Size						Std. Pkg.	Wt.-lbs./ C
Cat. No	Washer Size	Thickness	Hole Diameter	Machine	Carriage		
78RW	7/8 diameter	5/64	3/8	5/16	5/16	500	1.0
100RW	1 diameter	7/16	7/16	3/8	3/8	500	1.6
114RW	1 1/4 diameter	5/64	1/2	7/16	3/8	500	3.0
138RW	1 3/8 diameter	7/64	9/16	1/2	3/8	500	4.2
134RW	1 3/4 diameter	1/8	11/16	5/8	1/2	500	8.4
200RW	2 diameter	1/8	13/16	3/4	5/8	500	14.0



200RW

### Bevelled Steel Washers

Malleable iron, Hot dip Galvanized.

Cat. No.	Bolt Size	Hole Size	Dimensions	Std.Pkg.	Wt.-lbs./ C
58114BW	5/8"	11/16"	1-1/4" Square	200	9
58112BW	5/8"	11/16"	1-1/2" Square	200	15.5



58112BW

### Centering Washers

Aluminum

Cat.No.	Hole Diameter in washer	To fit hole Diameter in Crossarm	Std.Pkg.	Wt.-lbs./ C
1116CWM	11/16	1 1/2	50	31
1316CWM	13/16	1 1/2	50	30



1116CWM

### Fender Washers

Zinc plated. These special size washers have an extra wide bearing surface.

Cat.No.	Hole Size	Outside Diameter
14114FW	1/4"	1-1/4"
3815FW	7/16"	1-3/4"



3815FW, 14114FW



# Washers

## LOCK, SPUR WASHERS

### Spring Lock Washers

Cat.No.	Bolt Diameter Inches	Steel Sizes Inches	Std. Pkg.	Shipping Wt.lbs. (100 pcs.)
38LW	3/8	.141 x .094	100	.7
12LW	1/2	.171 x .125	100	1.5
58LW	5/8	.203 x .156	100	3.3
34LW	3/4	.234 x .188	100	5
78LW7/8	.266 x	.219	100	7
10LW	.297 x	.250	100	11



34LW

58LW

### Spur Washers

Generally used with crossarm pins.

Cat.No.	Bolt Size-Inches	Wgt./100
12SPW	1/2	9
58SPW	5/8	10
34SPW	3/4	10



Spur Washer

### Humpback Cotter Pins

Cat. No.	Bolt or Pin diameter	Material	Std. Pkg.	Wt.-lbs./ C
3812HCB	1/2"	Brass	N/A	.85
58HCS	5/8"	Stainless	N/A	1.25
58HCB	5/8"	Brass	N/A	1.70
3478HCS	3/4" & 7/8"	Stainless	N/A	2.5

Straight cotter pins also available upon request.



Cotter Pins

### Button Head Pins (Rivets)

For use with spring type cotter pin.

Cat. No.	Length	Diameter	Std. Pkg.	Wgt./100
13458BH	1-3/4"	5/8"	50	26
2558BH	2-1/2"	5/8"	50	33
33458BH	3-3/4"	5/8"	50	44
43458BH	4-3/4"	5/8"	50	53

Also available in 3/8" Diameter.



43458BH

# Straps

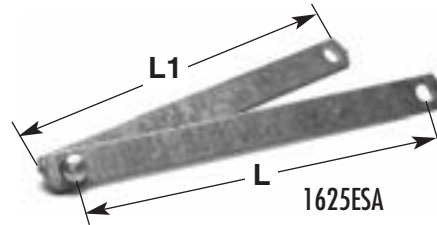
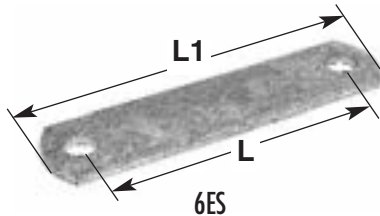
## EXTENSION & STRAIN



### Extension Straps

Used to provide extra clearance for dead ending applications. Made from 1.3/4 x 1/4 steel. Hot dip galvanized. Minimum breaking strength 8,000 lbs. Diameter holes 11/16". 1625ESA made from 1-1/2 x 1/4 material.

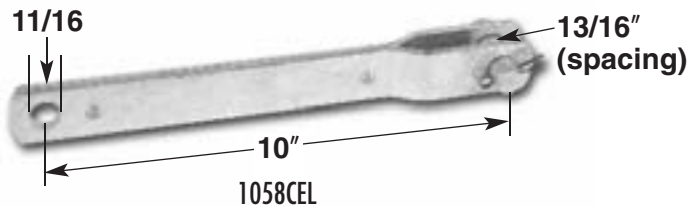
Cat. No.	L	L1	Hole Size	Std.Pkg.	Wt.-lbs./ C
6ES	6	7-1/2	11/16	100	90
8ES	8	9-1/2	11/16	25	110
10ES	10	11-1/2	11/16	50	135
18ESA	18	19-1/2	11/16	25	200
1625ESA	16-1/4	18	11/16	25	300



### Clevis Extension Link

13/16" inside clevis – 5/8" pin – 5/8" tongue width

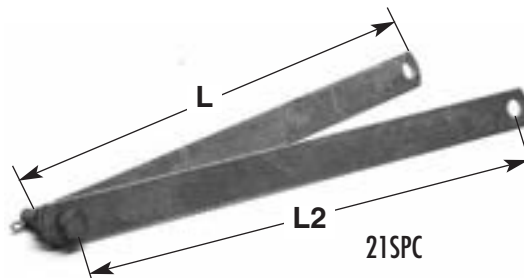
Cat.No.	Extension Size- Inches	Std.Pkg.	Wgt./100
1058CEL	10	25	325



### Strain Plate Clevis

Provides additional clearance between primary conductor and ground. Ring fills or spacer washers not included. Strap section 3/16 x 1-1/2. Other sizes available on request.

Cat. No.	L	L2	Std. Pkg.	Wt.lbs./ C
9SPC	9	7-1/2	25	120
15SPC	15	13-1/2	25	215
21SPC	21	19-1/2	25	295
29SPC	29	27-1/2	25	370
335SPC	33-1/2	32	25	460





# Racks

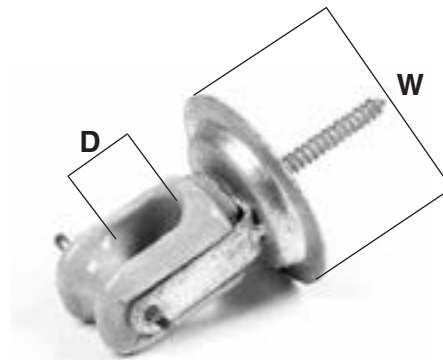
## SPOOL RACKS & SCREW BRACKETS

### Screw Brackets

Cat. No.	LS	W	D	Std. Pkg.	Wt.-lbs./ C	Description
Screw Insulator & Screw Brackets:						
211D	3	2	3/4	50	70	1/4" SS cotter pin
13712DSS	3-1/4	3-5/8	1	25	80	



211D



13712DSS

### Secondary Racks for Spool Insulators

Insulators not included-C.S.A. standard Drawing No. R-15 complete with through pin, brass cotter pin and 2 formed washers.

Cat.No.	No. of wires	Overall Length	Std.Pkg.	Wt.-lbs./ C
Non-Extended Ends:				
214NE	2	14"	5	460
322NE	3	22"	5	720
430NE	4	30"	5	980
Extended Ends:				
217E	3	17"	5	500
218E	2	18"	5	520
326E	3	26"	5	780
434E	4	34"	5	1040
534E	5	34"	5	1120

Insulators used on above racks #355WSPG.  
Available with individual pins - add suffix "H".



322NEH



326E

# Racks

## SECONDARY RACKS



### Secondary Racks-Heavy Duty

Knob Type Racks:

Complete with knob type insulators and non-extended ends.

C.S.A. Specification C-83, Drawing No. R-17 wire spacing 8".

Cat.No.	No. of wires	Overall Length	Std.Pkg.	Wt.-lbs./ C
1045R	1	4-1/2	10	250
2145R	2	14-1/2	5	600
3200R	3	20-1/2	5	850
4280R	4	28"	5	1100
5360R	5	36"	5	1350
2180TSR	2	19"	5	500

Add 13 at the end of part number when 13/16 mounting holes are required.  
Insulator used on above racks #1085D.



1045R



2180TSR



3200R

Cat.No.	Width	Height	Hole	Pkg. Qty.	Wt.-lbs./ C	
Knob-Type (U-Bolt) Insulator only:						
1085D	3	3-3/4	1	25	170	For knob type rack. U-bolts not included.



1085D

### Medium Duty Racks

- 11/16 mounting holes.

- complete with Insulators (1606WSP).

Cat.No.	No. of Wires	Overall Length	Width	Spacing	Std. Pkg.	Wt.-lbs./ C
1172E	2	15-1/2	2-5/8	8	5	420
1173E	3	23-1/2	2-5/8	8	5	690
1174E	4	31-1/2	2-5/8	8	5	960

Clevis size - 2 5/16 high x 1 3/4 wide.



1085D



# Underground Hardware

## CABLE RACKS & HOOKS

### Underground Cable Racks

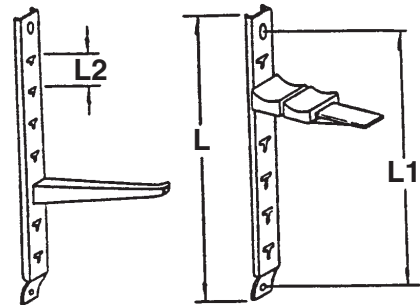
C.S.A. C-83 Drawing No. R.12. Made from 1 1/2 x 9/16 x 3/16 thick channel in length as shown, Hot dip galvanized. The lower end of the rack is offset to fit the top of the rack below. In this way, racks can be combined to almost any length. Special length racks with or without mounting hole also available.

Cat. No.	No. of Slots	L	L1	L2	Std. Pkg.	Wt.-lbs./ C
8UCR	8	15	13-1/2	1-1/2	25	120
14UCR	14	24	22-1/2	1-1/2	25	230
18UCR	18	30	28-1/2	1-1/2	10	310

Other sizes available upon request.



14UCR



14UCR

### Formed Steel Hooks: C.S.A. C-83 Drawing No. H.2

Made from 3/16 steel plate, offers a smooth hot dip galvanized steel curved surface to the cable. Do not require any insulators. Made to fit underground cable racks. Minimum strength load applied 1 inch from the end: 300 lbs. (230 lbs. for 18.FSH) If insulator is required use part #15FSHN.

Cat. No.	Length	Width	Std. Pkg.	Wt.-lbs./ C
4FSH	4	1-1/2	50	60
7FSH	7-1/2	1-1/2	50	100
10FSH	10	1-1/2	25	130
14FSH	14	1-1/2	25	220
18FSH	18	1-1/2	20	315

Other sizes available upon request.



18FSH





A large white rectangular area with a yellow border, containing 25 horizontal black lines for writing.



# Hydel

**DIVISION OF CIRCA ENTERPRISES**

## **Head Office & Warehouse**

206 Great Gulf Drive  
Vaughan, Ontario L4K 5W1

**[www.circahydel.com](http://www.circahydel.com)**

**Tel:** (905) 669-5511

**Fax:** (905) 669-4518

**Toll Free:** (800) 263-4579

## **Hydel Representatives**

### **British Columbia**

#### **Pacific Coast Agency Ltd.**

112- 11491 Kingston Street  
Maple Ridge, BC V2X 0Y6

**[www.pacificcoastagency.com](http://www.pacificcoastagency.com)**

**Tel:** (604) 457-1555

### **Southern Ontario**

#### **Composite Power Group**

9 Riddell Road, Unit 4  
Orangeville, ON L9W 4Z5

**[www.compow.com](http://www.compow.com)**

**Tel:** (519) 942-8485

### **Alberta**

Call Hydel Head Office

### **Quebec**

#### **L.T. Marketing Inc.**

113 Avenue Gun  
Point Claire, QC H3R 3X2

**[www.ltm.ca](http://www.ltm.ca)**

**Tel:** (514) 630-4350

### **Saskatchewan**

#### **Electra Sales Ltd.**

1810 East Turvey Road  
Regina, SK S4N 2G7

**[www.electraselesltd.ca](http://www.electraselesltd.ca)**

**Tel:** (306) 791-0266

### **Atlantic Canada**

#### **Munden Enterprises Ltd.**

2 Bluewater Road, Suite 150  
Bedford, NS B4B 1G7

**[www.munden.ca](http://www.munden.ca)**

**Tel:** (902) 405-8545

### **Manitoba**

#### **Edge Electrical Marketing Inc.**

1432 Erin Street  
Winnipeg, MB R3E 2S8

**[www.edgeelec.ca](http://www.edgeelec.ca)**

**Tel:** (204) 774-0268

