



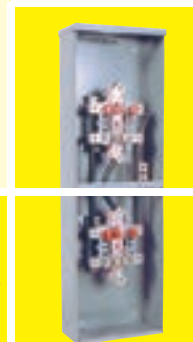
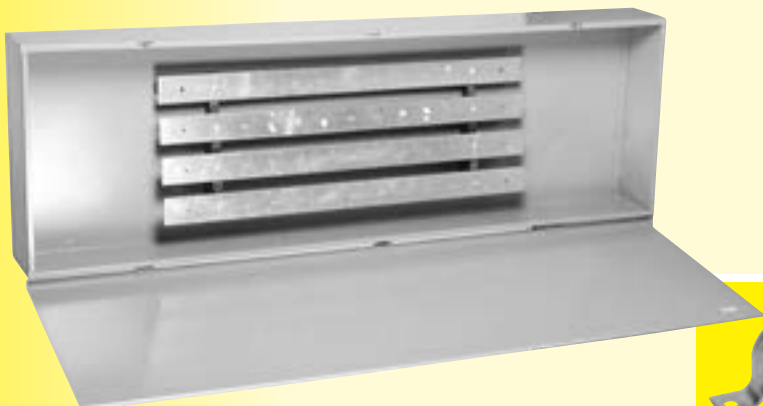
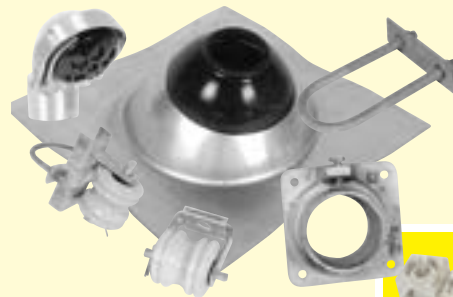
# Hydel

***DIVISION OF CIRCA ENTERPRISES***

**ISO 9001:2008  
Certified**

## Full Line Catalogue

- **Meter Sockets & Accessories**
- **Service Masts & Accessories**
- **Grounding**
- **Safety Switches**
- **Industrial Buss Duct**
- **Enclosures - Commercial/Industrial**
- **Custom Fabrication**





When you think of Service Entrance Products you can count on HYDEL's 50 years of service to the Residential, Commercial, Industrial and Utility markets.

The Hydel Customer Service TEAM is continually striving to improve stock availability, accessibility to information and technical assistance.

Hydel Products are approved and tested before leaving our modern design and manufacturing facility in Vaughan.

Hydel Enterprises will strive to constantly improve the quality and delivery of our products to our customers. We will perfect our products to the highest level of acceptance within the industry which will benefit our customers, employees and owners.





## METER SOCKETS

CTS Series - 20 Amp, 600 Volts	
Transformer Rated	4
c/w Compartment for Test Switch	5
Transformer Rated c/w Test Switch	6
SH Series - 100 Amp, 600 Volts, Shallow	7
SE Series - 100 Amp, 600 Volts, King Size	8
SFC Series - 100 Amp, 7 Jaw, Polyphase 3 Phase - 4 Wire	9
JA Series - 100 Amp, Socket & Breaker	10
Combination with and without Breaker	
SD Series - 100 Amp, Multi Position, 200 Amp Main	11
SDC Series - 100 Amp, Multi Position, 200 Amp Mains, c/w Blank Compartment	12
MCC Series - 100 Amp, Multi Position	13
200 Amp Mains, Compression Studs 1/2"	
SLC Series - 200 Amp, 600 Volts, Lay In Lugs	14
EK Series - 200 Amp, 600 Volts	
Standard Enclosure	15
Oversize Enclosure	16
MSC Series - 200 Amp, 600 Volts $\Omega$ Compression Studs	17
STC Series - 200 Amp, 7 Jaw Polyphase, 3 Phase - 4 Wire Meter	18
JA Series - 200 Amp	
Socket & Breaker, Combination with or without breaker	19
Socket & Breaker, Single Phase, Splitter, comb. without breaker	20
Multi Position, 200 Amp Main 100 Amp per position	21
JAU Series - 200 Amp, Multi Position	22
200 Amp Main 100 Amp per position	
H20 Series - 200 Amp, Multi position, 200 Amp Main	23
HC20 Series - 200 Amp, Multi position, 200 Amp Main c/w Blank Compartment	24
MSC20 Series - 200 Amp, Multi Position, 1/2" Studs	25
200 Amp Main, c/w Blank Compartment	
H40 Series - 200 Amp, Multi Position, 400 Amp Main	26
HC40 Series - 200 Amp, Multi Position, 400 Amp Main c/w Blank Compartment	27
MSC40 Series - 200 Amp, Multi Position Stud Type	28
400 Amp Main c/w Blank Compartment	
MSC 800 Series - 200 Amp, Multi Position Stub Type	29
400 Amp Mains c/w 2 Blank Compartments	
CT4 Series - 400 Amp, Meter Socket	
120/240 Volt, Single Phase	31
120/240 Volt, Single Phase c/w circuit breaker	32
Panel Mounting Socket	33
Taylor Fuse Pullouts	33
<b>ACCESSORIES</b>	
Hubs / Plates	34
Sealing Rings / Covers	35
Seals & Jumper Bars	36
5th Jaw Kits	37
Replacement Block Assemblies	38
Typical Wiring Diagrams	39
Meter Sockets Cross Reference List	40 - 41



# Index

## **CUSTOM ENCLOSURES**

Ontario Hydro / Scarborough Enclosures ..... 42

## **MAST AND ACCESSORIES**

2 1/2" Bungalow Service, Entrance Stacks & Accessories ..... 44 - 46

Mast Kits - Ontario ..... 47

Mast Kits - New Brunswick, Nova Scotia ..... 48

Mast Kits - Newfoundland, British Columbia ..... 49

Mast Kits - Alberta, Quebec ..... 50

Wall Racks, Mast Guy Kits ..... 51

## **COMMERCIAL ENCLOSURES**

Splitter Troughs Nema 1 ..... 53

Splitter Boxes 600V & NEMA 3 ..... 54

Splitter Blocks ..... 55

Standoff Insulators ..... 56

Meter Cabinets ..... 57

Splitter Busbar Trough, Custom Made Nema 1 ..... 58

Splitter Busbar Trough Connectors ..... 59

Nema 1 Enclosures ..... 60

## **INDUSTRIAL ENCLOSURES**

Wiring Troughs ..... 62

**CUSTOM CABINETRY** ..... 63

**INDUSTRIAL BUSDUCT** ..... 64

## **FLEX-A-POWER**

Type "DE" Flex-A-Power Plug-in Duct ..... 65 - 67

## **BUS DUCT & ACCESSORIES**

3 Phase, 3 Wire ..... 68

3 Phase, 4 Wire ..... 69

## **FLEX-A-POWER**

Type "DE" Flex-A-Power Plug-In Duct Dimension Data ..... 70

## **FLEX-A-PLUGS**

FE Series ..... 71

## **FLEX-A-POWER**

Type "DE" Flex-A-Power Bus Duct Assembly Instructions ..... 72 - 73

## **OUTDOOR RATED SAFETY SWITCHES**

Heavy Duty ..... 74 - 75

## **GROUNDING**

Rods & Plates ..... 76

Connectors ..... 77

Copper Clad Ground Rods and Connectors ..... 78

Plates & Boxes ..... 79

Gradient Mats & Staples ..... 80

# Meter Sockets



METER  
SOCKETS



**METER SOCKETS & ACCESSORIES**



# CTS Series

## 20 AMP - 600 VOLTS Transformer Rated

CATALOGUE #	TYPE	DESCRIPTION	DIMENSIONS (IN.)			WEIGHT
			H	W	D	
<b>CTS409PW</b>	O/H	5 Jaw with circuit closing left side for "CMS" applications*	9 <sup>1</sup> / <sub>4</sub>	7 <sup>5</sup> / <sub>8</sub>	3 <sup>13</sup> / <sub>16</sub>	5 lbs.
<b>CTS459PW</b>	O/H	5 Jaw with circuit closing left side for 4 Jaw application**	9 <sup>1</sup> / <sub>4</sub>	7 <sup>5</sup> / <sub>8</sub>	3 <sup>13</sup> / <sub>16</sub>	5 lbs.

- Transformer rated for services over 200 Amps
- CSA approved for copper only
- CSA enclosure 3R
- Range No. 14 - No. 8 CU
- Circuit closing feature to short out current transformer upon removal of meter
- Pole mountable
- Central metering systems

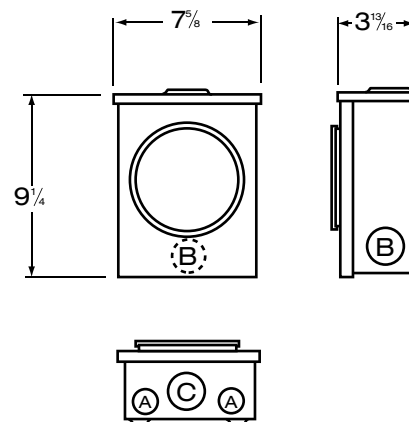
\*5th Jaw in 9 O'clock position, meets 2004 Hydro One code  
 \*\* 5th Jaw in 6 O'clock position, Dummy Jaw in lower right hand position For use on 4 Jaw CMS applications

Suffix:  
 - BC for British Columbia  
 - NS for Nova Scotia

KNOCKOUT CODE	CONDUIT SIZE
<b>C</b>	1", 1 <sup>1</sup> / <sub>4</sub> ", 1 <sup>1</sup> / <sub>2</sub> "
<b>A</b>	1/2", 1", 1 <sup>1</sup> / <sub>4</sub> "
<b>B</b>	1", 1 <sup>1</sup> / <sub>4</sub> "



**CTS409PW  
CTS459PW**



# CTS Series



METER  
SOCKETS

## 20 AMP - 600 VOLTS c/w Compartment for Test Switch

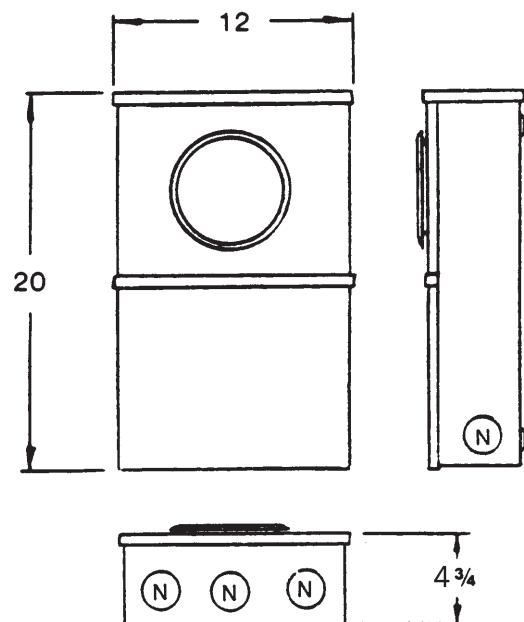
CATALOGUE #	TYPE	DESCRIPTION	DIMENSIONS (IN.)			WEIGHT
			H	W	D	
CTS400PW	U/G	4 Jaw	20	12	4 <sup>3</sup> / <sub>4</sub>	24 lbs.
CTS500PW	U/G	5 Jaw - 5th Jaw in 6 O'clock position	20	12	4 <sup>3</sup> / <sub>4</sub>	24 lbs.
CTS405PW	U/G	5 Jaw - for 4th Jaw application, 5th Jaw at 9 O'Clock position	20	12	4 <sup>3</sup> / <sub>4</sub>	24 lbs.
CTS800PW	U/G	8 Jaw	20	12	4 <sup>3</sup> / <sub>4</sub>	26 lbs.
CTS130PW	U/G	13 Jaw	20	12	4 <sup>3</sup> / <sub>4</sub>	26 lbs.
CTS139PW	U/G	13 Jaw - with by-pass	20	12	4 <sup>3</sup> / <sub>4</sub>	26 lbs.

- Transformer rated for services over 200 Amps
- CSA enclosure 3R
- CSA approved for copper only
- Conductor range for No. 14 - No. 8 CU
- Meter socket with compartment for test switches or test blocks
- Bottom cover is lockable and sealable

Suffix:

- BC for British Columbia
- NS for Nova Scotia

KNOCKOUT CODE	CONDUIT SIZE
N	3/4", 1", 1 1/4"





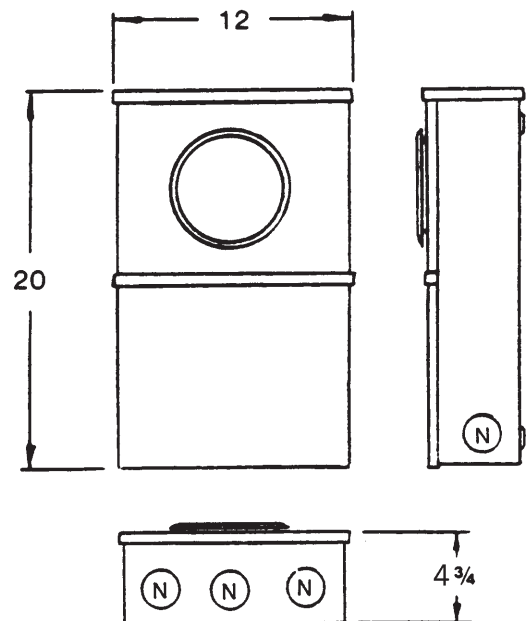
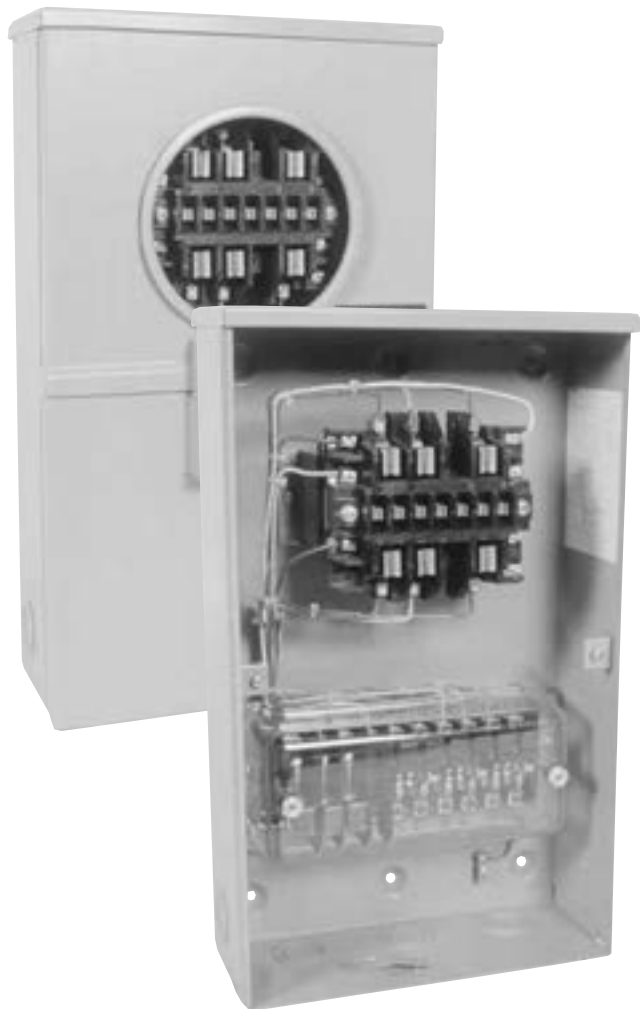
# CTS Series

## 20 AMP - 600 VOLTS Transformer Rated c/w Test Switch

CATALOGUE #	TYPE	DESCRIPTION	DIMENSIONS (IN.)			WEIGHT
			H	W	D	
CTS130PW-TS	U/G	13 Jaw c/w 10 pole test switch	20	12	4 <sup>3</sup> / <sub>4</sub>	30 lbs.
CTS400PW-TS	U/G	4 Jaw c/w 4 pole test switch	20	12	4 <sup>3</sup> / <sub>4</sub>	30 lbs.
CTS405PW-TS	U/G	5 Jaw c/w 4 pole test switch	20	12	4 <sup>3</sup> / <sub>4</sub>	30 lbs.

- Transformer rated for services over 200 Amps
- CSA enclosure 3R
- CSA approved for copper only
- Conductor range for No. 14 - No. 8 CU
- Meter socket with compartment for test switches or test blocks
- Bottom cover is lockable and sealable

KNOCKOUT CODE	CONDUIT SIZE
N	3/4", 1", 1 1/4"





# SH Series

## 100 AMP - 600 VOLTS Shallow

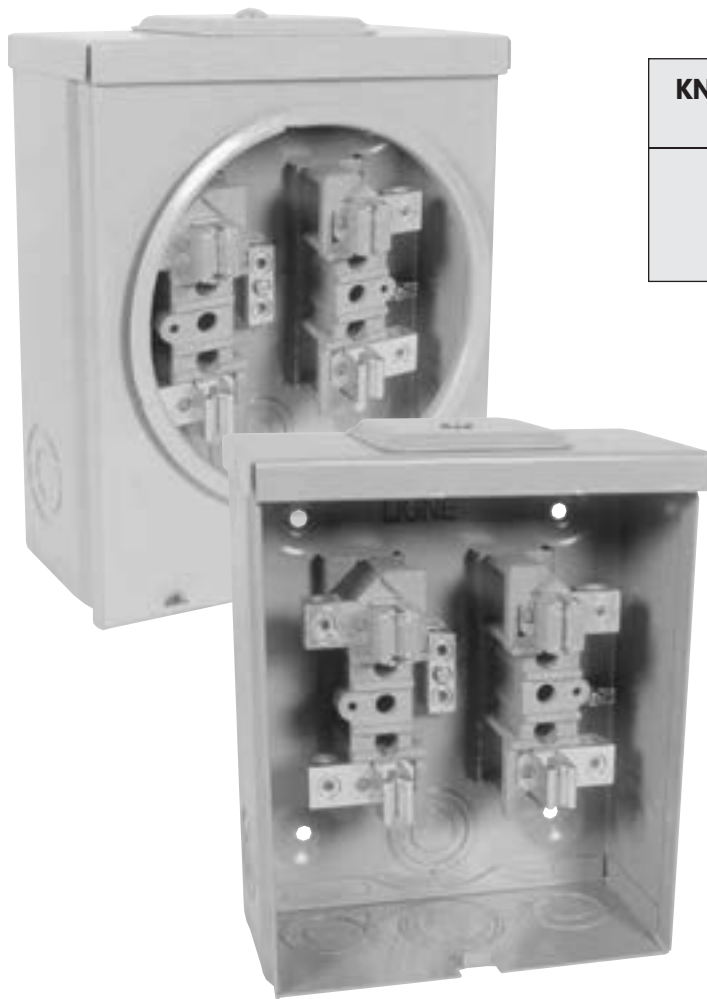


METER  
SOCKETS

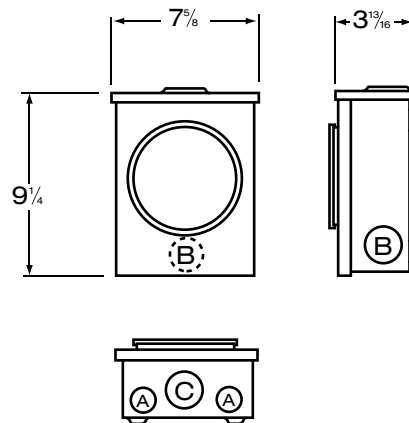
CATALOGUE #	TYPE	DESCRIPTION	DIMENSIONS (IN.)			WEIGHT
			H	W	D	
<b>SH400PW</b>	O/H & U/G	4 Jaw - c/w hub closure plate	9 <sup>1</sup> / <sub>4</sub>	7 <sup>5</sup> / <sub>8</sub>	3 <sup>3</sup> / <sub>16</sub>	5 lbs.
<b>SH400JW</b>	O/H	4 Jaw - c/w 1 <sup>1</sup> / <sub>4</sub> " hub	9 <sup>1</sup> / <sub>4</sub>	7 <sup>5</sup> / <sub>8</sub>	3 <sup>3</sup> / <sub>16</sub>	5 lbs.
<b>SH400BW</b>	O/H	4 Jaw - twin hub opening c/w two - 1 <sup>1</sup> / <sub>4</sub> " hubs	9 <sup>1</sup> / <sub>4</sub>	7 <sup>5</sup> / <sub>8</sub>	3 <sup>3</sup> / <sub>16</sub>	5 lbs.
<b>SH400BP</b>	O/H	4 Jaw - twin hub opening c/w closure plates	9 <sup>1</sup> / <sub>4</sub>	7 <sup>5</sup> / <sub>8</sub>	3 <sup>3</sup> / <sub>16</sub>	5 lbs.
<b>SH400TW</b>	U/G	4 Jaw - blank top	9 <sup>1</sup> / <sub>4</sub>	7 <sup>5</sup> / <sub>8</sub>	3 <sup>3</sup> / <sub>16</sub>	5 lbs.
<b>SH400KO</b>	O/H	4 Jaw - knockout on top (indoor use)	9 <sup>1</sup> / <sub>4</sub>	7 <sup>5</sup> / <sub>8</sub>	3 <sup>3</sup> / <sub>16</sub>	5 lbs.

- CSA weatherproof enclosure 3R
- Approved conductor range No.6 - No.2CU
- Copper only
- Insulated neutral available upon request

- Field adaptable Accessories
- 5th Jaw at 9 O'clock - **SXK503**
- Insulated neutral - **INK100**



KNOCKOUT CODE	CONDUIT SIZE
<b>A</b>	1/2", 1", 1 1/4"
<b>B</b>	1", 1 1/4"
<b>C</b>	1", 1 1/4", 1 1/2"





# SE Series

## 100 AMP - 600 VOLTS King Size

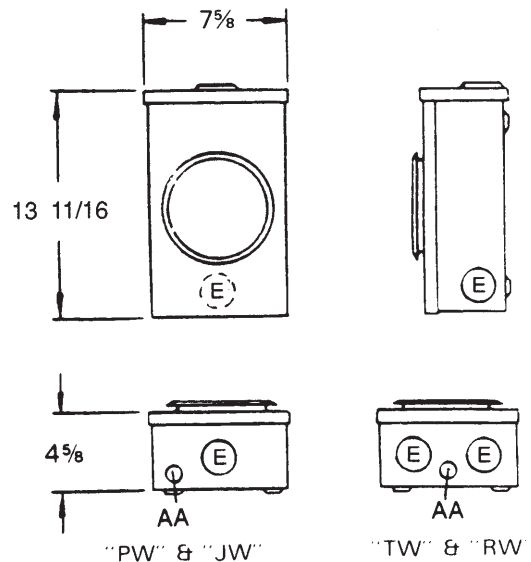
CATALOGUE #	TYPE	DESCRIPTION	DIMENSIONS (IN.)			WEIGHT
			H	W	D	
SE400RW	O/H & U/G	4 Jaw	13 <sup>11</sup> / <sub>16</sub>	7 <sup>5</sup> / <sub>8</sub>	4 <sup>5</sup> / <sub>8</sub>	8 lbs.
SE400PW	O/H	4 Jaw c/w hub opening, hub plate not included	13 <sup>11</sup> / <sub>16</sub>	7 <sup>5</sup> / <sub>8</sub>	4 <sup>5</sup> / <sub>8</sub>	8 lbs.
SE400JW	O/H	4 Jaw c/w 1 <sup>1</sup> / <sub>4</sub> " hub	13 <sup>11</sup> / <sub>16</sub>	7 <sup>5</sup> / <sub>8</sub>	4 <sup>5</sup> / <sub>8</sub>	8 lbs.
SE400BW	O/H	4 Jaw - twin hub opening c/w two 1 <sup>1</sup> / <sub>4</sub> " hubs	13 <sup>11</sup> / <sub>16</sub>	7 <sup>5</sup> / <sub>8</sub>	4 <sup>5</sup> / <sub>8</sub>	8 lbs.
SE400BP	O/H	4 Jaw - twin hub opening c/w closure plates	13 <sup>11</sup> / <sub>16</sub>	7 <sup>5</sup> / <sub>8</sub>	4 <sup>5</sup> / <sub>8</sub>	8 lbs.
SE400TW	U/G	4 Jaw - blank top	13 <sup>11</sup> / <sub>16</sub>	7 <sup>5</sup> / <sub>8</sub>	4 <sup>5</sup> / <sub>8</sub>	8 lbs..
SE405RW	O/H & U/G	5 Jaw - 5th Jaw at 9 O'clock	13 <sup>11</sup> / <sub>16</sub>	7 <sup>5</sup> / <sub>8</sub>	4 <sup>5</sup> / <sub>8</sub>	8 lbs.
SE420RW	O/H & U/G	4 Jaw - c/w water heater lugs	13 <sup>11</sup> / <sub>16</sub>	7 <sup>5</sup> / <sub>8</sub>	4 <sup>5</sup> / <sub>8</sub>	8 lbs.

- Conductor range No. 6 - 1/0 AWG CU/AL
- CSA weatherproof enclosure 3R
- Approved for copper or aluminum
- For extra ground lug on neutral add suffix NB - Used in New Brunswick

- Field adaptable accessories
- 5th Jaw at 9 O'clock - **SXK503**
- Insulated neutral - **INK100**
- 5th Jaw at 6 O'clock - **INK105Y**



KNOCKOUT CODE	CONDUIT SIZE
AA	1/2"
D	1 <sup>1</sup> / <sub>4</sub> ", 1 <sup>1</sup> / <sub>2</sub> ", 2"
E	1", 1 <sup>1</sup> / <sub>4</sub> ", 1 <sup>1</sup> / <sub>2</sub> ", 2"



# SFC Series



METER  
SOCKETS

## 100 AMP - 7 JAW Polyphase 3 PH - 4 Wire

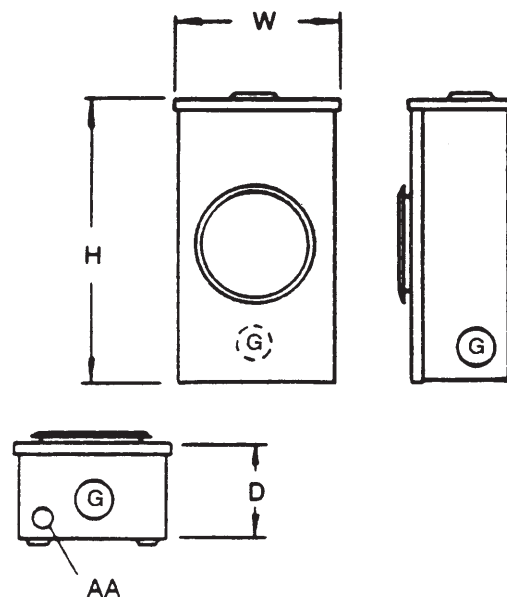
CATALOGUE #	TYPE	DESCRIPTION	DIMENSIONS (IN.)			WEIGHT
			H	W	D	
<b>SFC700PW</b>	O/H	7 Jaw c/w hub closure plate	15 <sup>3</sup> / <sub>8</sub>	8 <sup>5</sup> / <sub>8</sub>	5	12 lbs.
<b>SFC703PW</b>	O/H	7 Jaw c/w insulated neutral	15 <sup>3</sup> / <sub>8</sub>	8 <sup>5</sup> / <sub>8</sub>	5	12 lbs.
<b>SFC700RW</b>	O/H & U/G	7 Jaw c/w hub closure plate	15 <sup>3</sup> / <sub>8</sub>	8 <sup>5</sup> / <sub>8</sub>	5	12 lbs.
<b>SFC703RW</b>	O/H & U/G	7 Jaw c/w insulated neutral	15 <sup>3</sup> / <sub>8</sub>	8 <sup>5</sup> / <sub>8</sub>	5	12 lbs.
<b>SFC800PW</b>	O/H	8 Jaw c/w hub closure plate	15 <sup>3</sup> / <sub>8</sub>	8 <sup>5</sup> / <sub>8</sub>	5	12 lbs.

- 100 Amp, 600 VOLT
- CSA enclosure 3R
- CSA approved for copper or aluminum
- Conductor range #6 - 1/0 AWG CU/AL

- Order **SXC** hubs separately  
 - Insulated neutral can be field added  
**INK 100**



KNOCKOUT CODE	CONDUIT SIZE
<b>AA</b>	1/2"
<b>G</b>	1 1/4", 1 1/2", 2", 2 1/2"





# JA Series

## 100 AMP SOCKET & BREAKER Combination with or without Breaker

CATALOGUE #	TYPE	DESCRIPTION	DIMENSIONS (IN.)			WEIGHT
			H	W	D	
<b>JA400RW</b>	O/H & U/G	Provision for Breaker, Gauge #6 - 1/0 AWG CU/AL*†	22	7 <sup>3</sup> / <sub>8</sub>	4 <sup>3</sup> / <sub>8</sub>	21 lbs.
<b>JA400RWT</b>	O/H & U/G	As above, c/w 100 amp 2 pole 10 kA breaker	22	7 <sup>3</sup> / <sub>8</sub>	4 <sup>3</sup> / <sub>8</sub>	21 lbs.
<b>JA400RWT-HI</b>	O/H & U/G	As above, c/w 100 amp 2 pole 22kA breaker	22	7 <sup>3</sup> / <sub>8</sub>	4 <sup>3</sup> / <sub>8</sub>	21 lbs.
<b>JA400PWT-HI</b>	O/H	As above, c/w 100 amp 2 pole 22kA breaker	22	7 <sup>3</sup> / <sub>8</sub>	4 <sup>3</sup> / <sub>8</sub>	21 lbs.
<b>JA000PW</b>	O/H	Provision for Breaker, Gauge #6 - 1/0 AWG CU/AL*†	18 <sup>3</sup> / <sub>4</sub>	7 <sup>3</sup> / <sub>8</sub>	3 <sup>1</sup> / <sub>2</sub>	15 lbs.

- 4 Jaw - 100Amp - 120/240 VOLT
- Combination meter socket & circuit breaker
- CSA weatherproof enclosure 3R
- Suitable for single phase service entrance for mobile homes, farm services, trailers, temporary services, etc.
- Bottom compartment has provision for 2 pole circuit breaker (max. 100A) Siemens (Q), BE (THQB), or Eaton (BR)

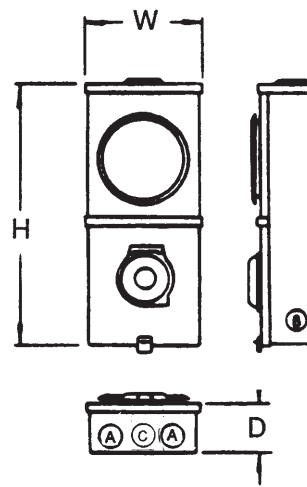
**\*Breaker not included (sold separately)**

†Select from table below

- Plug-in circuit breakers fully magnetic

- Use **SXK503** for 5th Jaw at 9 O'clock

KNOCKOUT CODE	CONDUIT SIZE
<b>A</b>	1/2", 1", 1 1/4"
<b>C</b>	1", 1 1/4", 1 1/2"
<b>E</b>	1", 1 1/4", 1 1/2", 2"



### DOUBLE POLE

CAT. NO.	AMPS	RATED
<b>MP215</b>	15	10kA
<b>MP220</b>	20	10kA
<b>MP230</b>	30	10kA
<b>MP240</b>	40	10kA
<b>MP250</b>	50	10kA

### DOUBLE POLE

CAT. NO.	AMPS	RATED
<b>MP260</b>	60	10kA
<b>MP270</b>	70	10kA
<b>MP211</b>	100	10kA
<b>MP211H</b>	100	22kA

# SD Series



METER  
SOCKETS

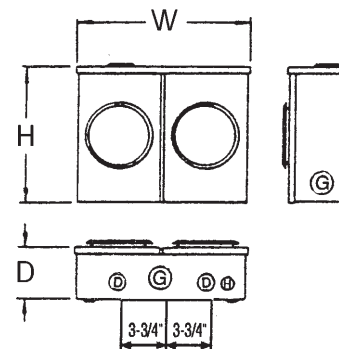
## 100 AMP - MULTI POSITION 200 Amp Main

CATALOGUE #	TYPE	DESCRIPTION	DIMENSIONS (IN.)			WEIGHT
			H	W	D	
<b>SD220PW</b>	O/H & U/G	2 gang, 200 Amp main, 100 Amp per position	12	15	5	20 lbs.
<b>SD320PW</b>	O/H & U/G	3 gang, 200 Amp main, 100 Amp per position	12	22 1/2	5	28 lbs.
<b>SD420PW</b>	O/H & U/G	4 gang, 200 Amp main, 100 Amp per position	12	30	5	36 lbs.
<b>SD520PW</b>	O/H & U/G	5 gang, 200 Amp main, 100 Amp per position	12	37 1/2	5	44 lbs.
<b>SD620PW</b>	O/H & U/G	6 gang, 200 Amp main, 100 Amp per position	12	45	5	52 lbs.

- Factory bussed - 200 Amp Mains
- 2 - 6 position horizontal
- 4 Jaw meter sockets
- 100 Amp - 600 VOLTS per position
- CSA enclosure 3R
- Approved conductor range:  
Line No. 6-250 MCM CU/AL  
Load No. 6-1/0 AWG CU/AL
- Approved for overhead or underground use

- Field adaptable accessories
- 5th Jaw at 9 O'clock - **SXK503**
- For overhead order **SXC** hub separate
- Add suffix "RH" for right hand entry
- Add suffix "BC" for c/w 1 - 3" KO in the bottom

KNOCKOUT CODE	CONDUIT SIZE
<b>D</b>	1 1/4", 1 1/2", 2"
<b>G</b>	1 1/4", 1 1/2", 2", 2 1/2"
<b>AA</b>	1/2"



### SD220 Conversion Kit

To convert existing SD220PW to a two load single meter, meter socket ST911 - OH



# SDC Series

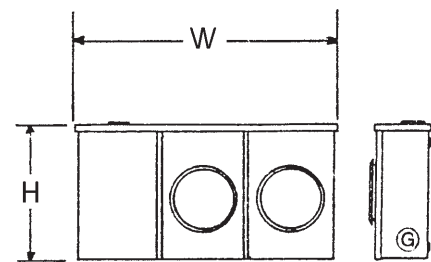
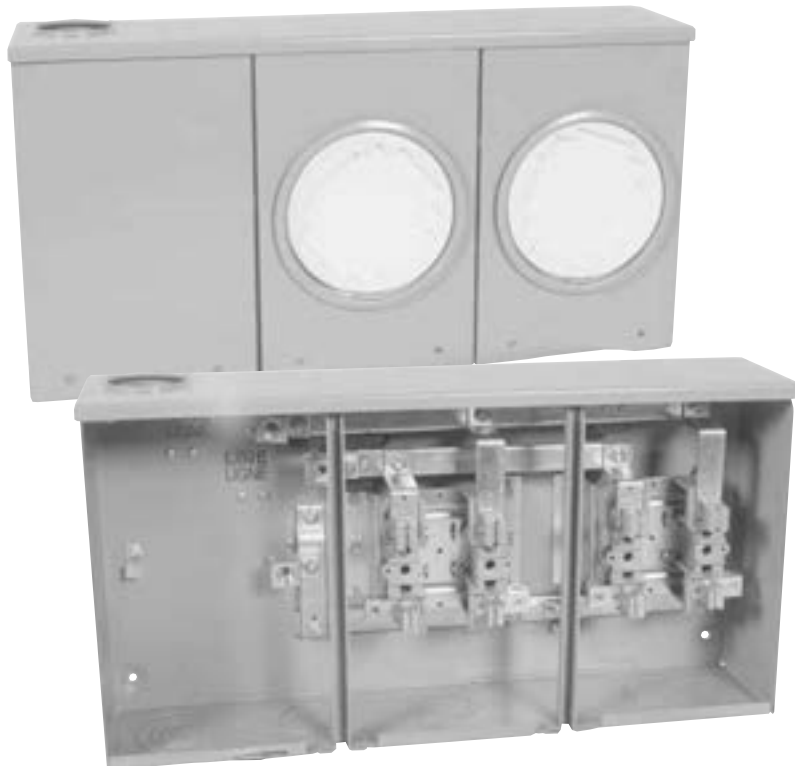
## 100 AMP - MULTI POSITION 200 Amp Mains c/w Blank Compartment

CATALOGUE #	TYPE	DESCRIPTION	DIMENSIONS (IN.)			WEIGHT
			H	W	D	
<b>SDC220PW</b>	O/H & U/G	2 gang, c/w blank compartment on left side	12	22 <sup>1</sup> / <sub>2</sub>	5	24 lbs.
<b>SDC320PW</b>	O/H & U/G	3 gang, c/w blank compartment on left side	12	30	5	32 lbs.
<b>SDC420PW</b>	O/H & U/G	4 gang, c/w blank compartment on left side	12	37 <sup>1</sup> / <sub>2</sub>	5	40 lbs.
<b>SDC520PW</b>	O/H & U/G	5 gang, c/w blank compartment on left side	12	45	5	47 lbs.
<b>SDC620PW</b>	O/H & U/G	6 gang, c/w blank compartment on left side	12	52	5	56 lbs.

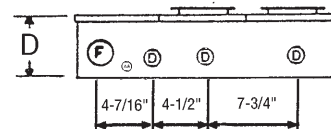
- Factory Bussed - 200 Amp mains
- 2 - 6 position horizontal
- 4 Jaw meter sockets
- 100 Amp - 600 VOLTS per position
- Approved conductor range:  
Line No. 6-250 MCM CU/AL  
Load No. 6-1/0 AWG CU/AL
- Approved for overhead or underground use

- Field adaptable accessories
- 5th Jaw at 9 O'clock - **SXK503**
- For overhead order **SXC** hub separate
- Add suffix "RH" for right hand entry
- Add suffix "BC" for c/w 1 - 3" KO in the bottom

KNOCKOUT CODE	CONDUIT SIZE
<b>D</b>	1 <sup>1</sup> / <sub>4</sub> ", 1 <sup>1</sup> / <sub>2</sub> ", 2"
<b>F</b>	1, 1 <sup>1</sup> / <sub>4</sub> ", 1 <sup>1</sup> / <sub>2</sub> ", 2", 2 <sup>1</sup> / <sub>2</sub> ", 3"
<b>AA</b>	1 <sup>1</sup> / <sub>2</sub> "



Extra Wiring Compartment



# MCC Series



METER  
SOCKETS

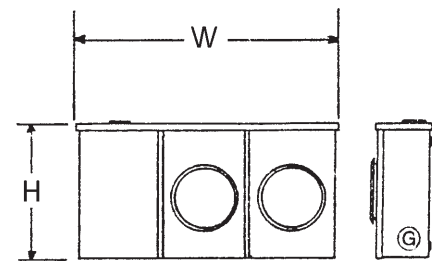
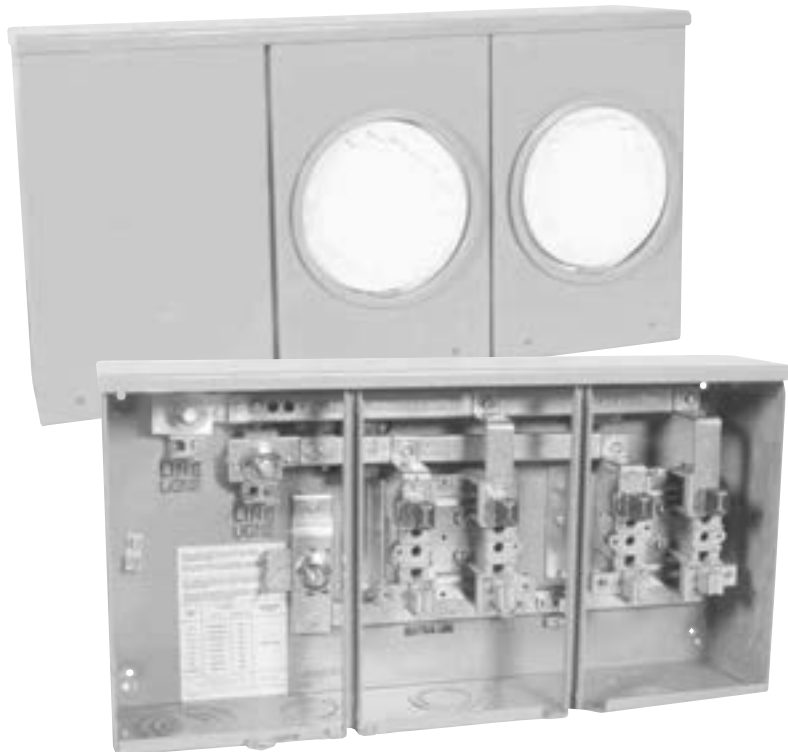
## 100 AMP - MULTI POSITION 200 Amp Mains, Compression Studs 1/2"

CATALOGUE #	TYPE	DESCRIPTION	DIMENSIONS (IN.)			WEIGHT
			H	W	D	
MCC220TW	U/G	2 gang, c/w blank compartment on left side	12	22 <sup>1</sup> / <sub>2</sub>	5	24 lbs.
MCC320TW	U/G	3 gang, c/w blank compartment on left side	12	30	5	32 lbs.
MCC420TW	U/G	4 gang, c/w blank compartment on left side	12	37 <sup>1</sup> / <sub>2</sub>	5	40 lbs.
MCC520TW	U/G	5 gang, c/w blank compartment on left side	12	45	5	47 lbs.
MCC620TW	U/G	6 gang, c/w blank compartment on left side	12	52	5	56 lbs.

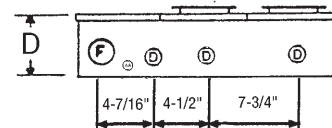
- CSA enclosure 3R
- 1/2" Studs on line side
- Conductor range load size No. 6-1/0 AWG
- Compression studs on line side
- For underground use only
- Prebussed from main lugs to each position

- Add suffix "-R" for right hand entry  
- Add suffix "-S" for used in Saskatchewan

KNOCKOUT CODE	CONDUIT SIZE
D	1 <sup>1</sup> / <sub>4</sub> ", 1 <sup>1</sup> / <sub>2</sub> ", 2"
F	1, 1 <sup>1</sup> / <sub>4</sub> ", 1 <sup>1</sup> / <sub>2</sub> ", 2", 2 <sup>1</sup> / <sub>2</sub> ", 3"
AA	1/2"



Extra Wiring Compartment





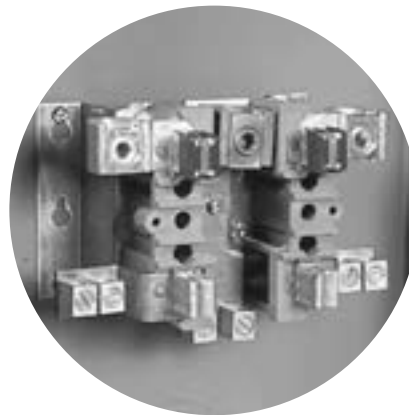
# SLC Series

## 200 AMP - 600 VOLTS Lay in Lugs

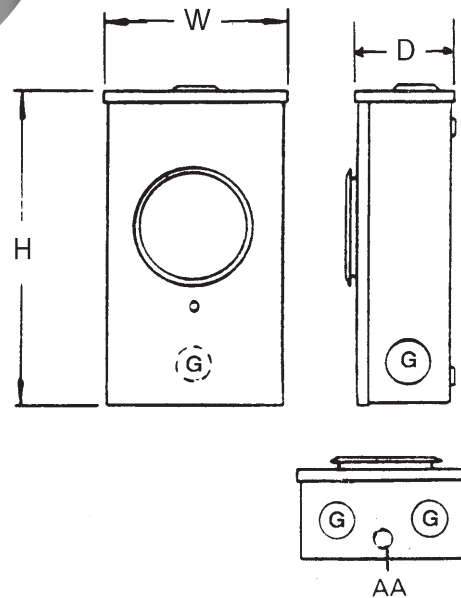
CATALOGUE #	TYPE	DESCRIPTION	DIMENSIONS (IN.)			WEIGHT
			H	W	D	
<b>SLC400RW</b>	O/H & U/G	200 A with lay-in lugs	18	12	4 <sup>3</sup> / <sub>4</sub>	17 lbs.
<b>SLC420RW</b>	O/H & U/G	200 A c/w water heater lugs	18	12	4 <sup>3</sup> / <sub>4</sub>	17 lbs.
<b>SLC400RWBC</b>	O/H & U/G	200 A with lay-in lugs for British Columbia	18	12	5 <sup>1</sup> / <sub>8</sub>	17 lbs.
<b>SLC402RW</b>	O/H & U/G	200 A with twin 1/0-14 lugs on load side Also approved by BC Hydro.	18	12	5 <sup>1</sup> / <sub>8</sub>	17 lbs.

- CSA enclosure 3R
- Conductor range No. 6-250 MCM CU/AL
- Lay in type connectors makes wiring quick and easy
- 4 Jaw

KNOCKOUT CODE	CONDUIT SIZE
<b>AA</b>	1/2"
<b>G</b>	1 <sup>1</sup> / <sub>4</sub> ", 1 <sup>1</sup> / <sub>2</sub> ", 2", 2 <sup>1</sup> / <sub>2</sub> "
<b>F</b>	1", 1 <sup>1</sup> / <sub>4</sub> ", 1 <sup>1</sup> / <sub>2</sub> ", 2", 2 <sup>1</sup> / <sub>2</sub> ", 3"



**SLC402RW**





# EK Series

## 200 AMP - 600 VOLTS Standard Enclosure

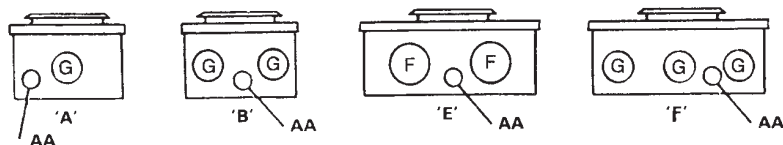
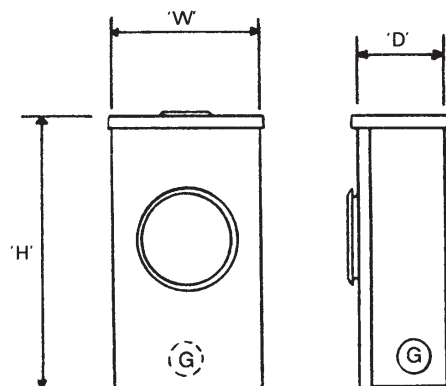


CATALOGUE #	TYPE	DESCRIPTION	KO TYPE	DIMENSIONS (IN.)			WEIGHT
				H	W	D	
<b>EK400P</b>	O/H & U/G	4 Jaw c/w hub plate	A	15	8 <sup>5</sup> / <sub>8</sub>	4 <sup>3</sup> / <sub>4</sub>	12 lbs.
<b>EK400L</b>	O/H & U/G	4 Jaw c/w 2" hub	A	15	8 <sup>5</sup> / <sub>8</sub>	4 <sup>3</sup> / <sub>4</sub>	12 lbs.
<b>EK400D</b>	O/H & U/G	4 Jaw c/w 2 - 2" hub	A	15	8 <sup>5</sup> / <sub>8</sub>	4 <sup>3</sup> / <sub>4</sub>	12 lbs.
<b>EK400DP</b>	O/H & U/G	4 Jaw c/w 2 - 2" hub plates, twin opening	A	15	8 <sup>5</sup> / <sub>8</sub>	4 <sup>3</sup> / <sub>4</sub>	12 lbs.
<b>EK400T</b>	U/G	4 Jaw, underground	B	15	8 <sup>5</sup> / <sub>8</sub>	4 <sup>3</sup> / <sub>4</sub>	12 lbs.

- CSA enclosure 3R
- Barrel type connectors angled at 45°
- Conductor range No. 6 -250 MCM CU/AL
- Lay-in neutral (can be used with unbroken neutral wire)
- Add suffix "NS" for ground lug on neutral for New Brunswick only.  
PART # ZMS07051433 Ground Neutral Assembly

- Field adaptable accessories
- 5th Jaw at 9 O'clock **SXK503**
- 5th Jaw at 6 O'clock **INK501**
- Insulated neutral **INK200**

KNOCKOUT CODE	CONDUIT SIZE
<b>AA</b>	1/2"
<b>G</b>	1 1/4", 1 1/2", 2", 2 1/2"
<b>F</b>	1", 1 1/4", 1 1/2", 2", 2 1/2", 3"





# EK Series

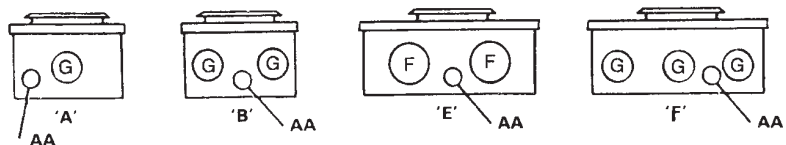
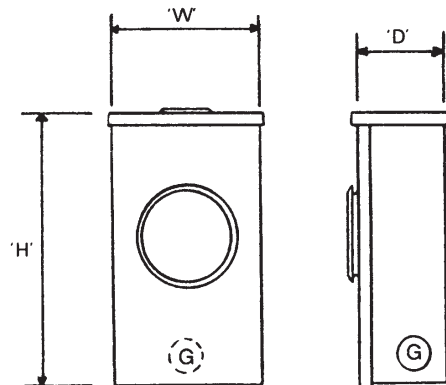
## 200 AMP - 600 VOLTS Oversize Enclosure

CATALOGUE #	TYPE	DESCRIPTION	KO TYPE	DIMENSIONS (IN.)			WEIGHT
				H	W	D	
<b>EK400RO</b>	O/H & U/G	4 Jaw, oversize enclosure	F	18	12	4 <sup>3</sup> / <sub>4</sub>	15 lbs.
<b>E400RO</b>	O/H & U/G	4 Jaw, straight lugs on line side	F	18	12	4 <sup>3</sup> / <sub>4</sub>	15 lbs.
<b>EK400TO</b>	U/G	4 Jaw, underground oversize enclosure	F	18	12	4 <sup>3</sup> / <sub>4</sub>	15 lbs.
<b>EK400ROBC</b>	O/H & U/G	4 Jaw, c/w 3" KO in bottom	E	18	12	5 <sup>1</sup> / <sub>8</sub>	15 lbs.
<b>EK200XL</b>	O/H & U/G	4 Jaw, 350MCM type connectors on line side	E	22 <sup>1</sup> / <sub>4</sub>	16 <sup>1</sup> / <sub>2</sub>	4 <sup>3</sup> / <sub>4</sub>	22 lbs.
<b>EK200XLD</b>	O/H & U/G	4 Jaw, 350MCM type connectors on line side, 4-1/2" in top hub opening	E	22 <sup>1</sup> / <sub>4</sub>	16 <sup>1</sup> / <sub>2</sub>	4 <sup>3</sup> / <sub>4</sub>	22 lbs.

- CSA enclosure 3R
- Barrel type connectors angled at 45°
- Conductor range No. 6 -250 MCM CU/AL
- Lay-in neutral (can be used with unbroken neutral wire)
- Add suffix NS for ground lug on neutral for New Brunswick only

- Field adaptable accessories
- 5th Jaw at 9 O'clock **SXK503**
- 5th Jaw at 6 O'clock **INK501**
- Insulated neutral **INK200**

KNOCKOUT CODE	CONDUIT SIZE
<b>AA</b>	1/2"
<b>G</b>	1 <sup>1</sup> / <sub>4</sub> ", 1 <sup>1</sup> / <sub>2</sub> ", 2", 2 <sup>1</sup> / <sub>2</sub> "
<b>F</b>	1", 1 <sup>1</sup> / <sub>4</sub> ", 1 <sup>1</sup> / <sub>2</sub> ", 2", 2 <sup>1</sup> / <sub>2</sub> ", 3"



# MSC Series



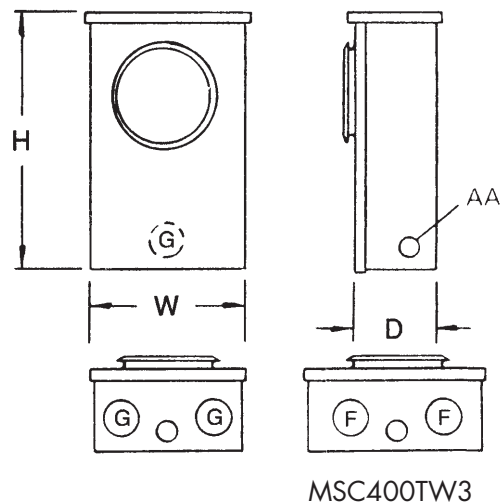
METER  
SOCKETS

## 200 AMP - 600 VOLTS 1/2" Compression Studs

CATALOGUE #	TYPE	DESCRIPTION	DIMENSIONS (IN.)			WEIGHT
			H	W	D	
<b>MSC400TW</b>	U/G	4 Jaw, c/w 1/2 Comp. studs, 2 x 2 1/2" KO's	18	12	4 3/4	17 lbs.
<b>MSC400TW3</b>	U/G	4 Jaw, c/w 1/2 Comp. studs, 2 x 3" KO's	18	12	5 1/8	17 lbs.
<b>MSC400TW-SF</b>	U/G	4 Jaw, c/w 1/2 Comp. studs & sub feed lugs 1/0-14	18	12	4 3/4	17 lbs.
<b>MSC400TW-ON</b>	U/G	4 Jaw, c/w 1/2 Comp. studs, 3 x 2 1/2" KO's	18	12	4 3/4	17 lbs.
<b>MSC402TW</b>	U/G	4 Jaw, c/w 1/2 Comp. studs & twin 1/0-14 lugs on load side	18	12	4 3/4	17 lbs.

- CSA enclosure 3R
- Conductor range load size No. 6 - 250 MCM CU/AL
- 1/2" line studs provided for compression type wire connectors
- For underground use only

KNOCKOUT CODE	CONDUIT SIZE
<b>AA</b>	1/2"
<b>G</b>	1 1/4", 1 1/2", 2", 2 1/2"
<b>F</b>	1", 1 1/4", 1 1/2", 2", 2 1/2", 3"





# STC Series

## 200 AMP - 7 JAW Polyphase 3PH - 4 Wire Meter

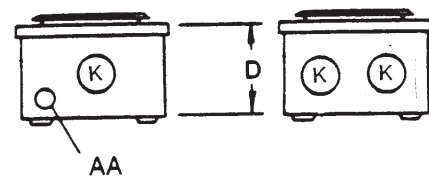
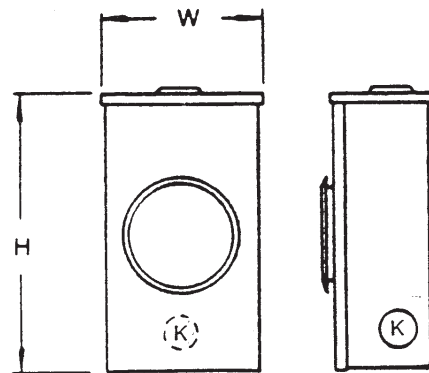
CATALOGUE #	TYPE	DESCRIPTION	DIMENSIONS (IN.)			WEIGHT
			H	W	D	
<b>STC700PK</b>	O/H	7 Jaw, c/w hub closure plate	21 <sup>1</sup> / <sub>2</sub>	10 <sup>1</sup> / <sub>8</sub>	5 <sup>1</sup> / <sub>8</sub>	21 lbs.
<b>STC703PK</b>	O/H	7 Jaw, c/w insulated neutral	21 <sup>1</sup> / <sub>2</sub>	10 <sup>1</sup> / <sub>8</sub>	5 <sup>1</sup> / <sub>8</sub>	21 lbs.
<b>STC700RK</b>	O/H & U/G	7 Jaw, c/w hub closure plate	21 <sup>1</sup> / <sub>2</sub>	12	5 <sup>1</sup> / <sub>8</sub>	22 lbs.
<b>STC703RK</b>	O/H & U/G	7 Jaw, c/w insulated neutral	21 <sup>1</sup> / <sub>2</sub>	12	5 <sup>1</sup> / <sub>8</sub>	22 lbs.

- 200 Amp, 600 VOLT
- CSA enclosure 3R
- CSA approved for copper or aluminum
- Conductor range #6 -250 MCM CU/AL

- For overhead installations order **HD** hubs separately
- Field adapted insulated neutral **INK200**



KNOCKOUT CODE	CONDUIT SIZE
<b>AA</b>	1/2"
<b>K</b>	2", 2 <sup>1</sup> / <sub>2</sub> ", 3"



For permanent by-pass  
use JC6B jumper cover

# JA Series



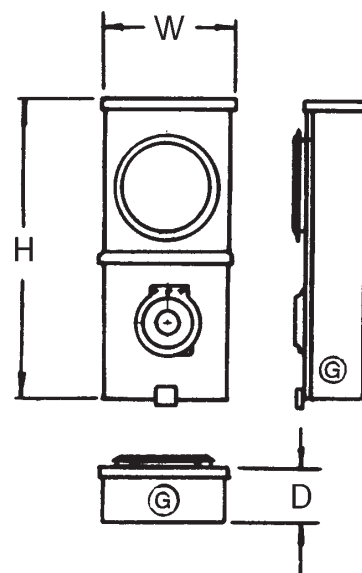
## 200 AMP SOCKET & BREAKER Combination with or without breaker

CATALOGUE #	TYPE	DESCRIPTION	DIMENSIONS (IN.)			WEIGHT
			H	W	D	
<b>JA402P</b>	O/H	4 Jaw c/w 200 Amp breaker	25 <sup>1</sup> / <sub>8</sub>	10 <sup>1</sup> / <sub>8</sub>	5 <sup>1</sup> / <sub>4</sub>	25 lbs.
<b>JA402P-LB</b>	O/H	as above, less breaker	25 <sup>1</sup> / <sub>8</sub>	10 <sup>1</sup> / <sub>8</sub>	5 <sup>1</sup> / <sub>4</sub>	24 lbs.
<b>JA402R</b>	O/H & U/G	4 Jaw c/w 200 Amp breaker	29	12	5 <sup>1</sup> / <sub>4</sub>	25 lbs.
<b>JA402R-LB</b>	O/H & U/G	as above, less breaker	29	12	5 <sup>1</sup> / <sub>4</sub>	24 lbs.

- 200 Amp - 120/240 VOLT
- Combination meter socket & circuit breaker
- CSA enclosure 3R
- Conductor range #6 - 250 MCM CU/AL
- Suitable for temporary service, farm service, trailers, recreational parks, commercial and residential locations.
- Service entrance rated

- Also available with 125 Amp breaker or 150 Amp breaker upon request
- Also available less breaker
- Add suffix "-HI" for 22kA interrupting Rating Breaker

KNOCKOUT CODE	CONDUIT SIZE
<b>G</b>	1 <sup>1</sup> / <sub>4</sub> ", 1 <sup>1</sup> / <sub>2</sub> ", 2", 2 <sup>1</sup> / <sub>2</sub> "





# JA Series

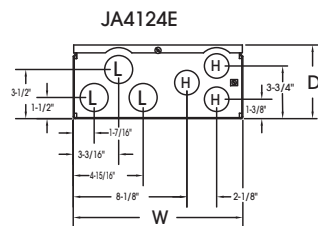
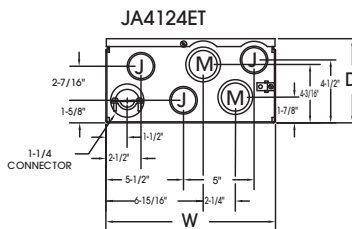
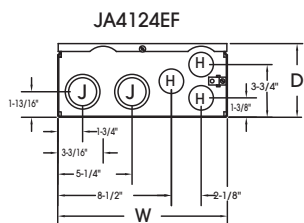
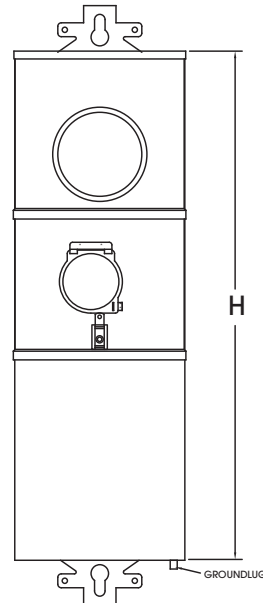
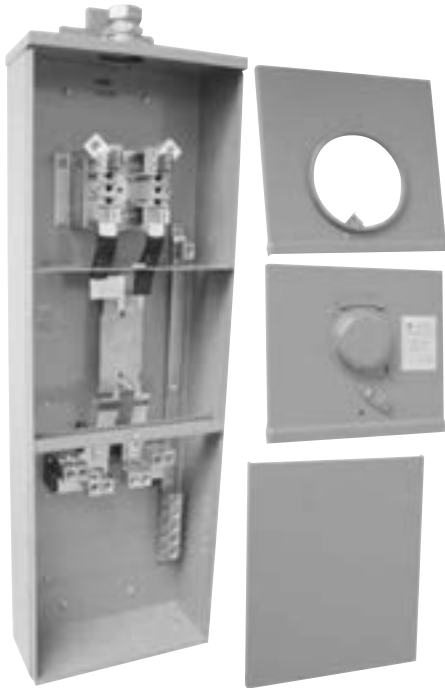
## 200 AMP SOCKET & BREAKER

### Single Phase, Splitter, comb. without breaker

CATALOGUE #	TYPE	DESCRIPTION	DIMENSIONS (IN.)			WEIGHT
			H	W	D	
JA4124E	O/H	4 Jaw , Provision for field-installed Cutler Hammer 200A 2 Pole 10kA rated circuit breaker, provision for Pole Mounting	36 <sup>5</sup> / <sub>16</sub>	12	5 <sup>1</sup> / <sub>4</sub>	38 lbs.
JA4124E-T	U/G	4 Jaw , Provision for field-installed Cutler Hammer 200A 2 Pole 10kA rated circuit breaker, c/w Pole Mounting Brackets	36 <sup>5</sup> / <sub>16</sub>	12	6	38 lbs.
JA4124EF	O/H & U/G	4 Jaw , Provision for field-installed Cutler Hammer 200A 2 Pole 10kA rated circuit breaker, c/w Pole Mounting Brackets	36 <sup>5</sup> / <sub>16</sub>	12	5 <sup>1</sup> / <sub>4</sub>	39 lbs.

- 200 Amp - 120/240 VOLT
- Combination meter socket & circuit breaker
- CSA enclosure 3R
- Conductor range #6 - 250 MCM CU/AL
- Cutler Hammer breaker to be field installed

KNOCKOUT CODE	CONDUIT SIZE
H	1 <sup>1</sup> / <sub>4</sub> "
J	1 <sup>1</sup> / <sub>4</sub> ", 1 <sup>1</sup> / <sub>2</sub> "
L	1 <sup>1</sup> / <sub>2</sub> "
M	1 <sup>1</sup> / <sub>2</sub> ", 2"



# JA Series



METER  
SOCKETS

## 200 AMP - MULTI POSITION 200 Amp Main 100 Amp per position

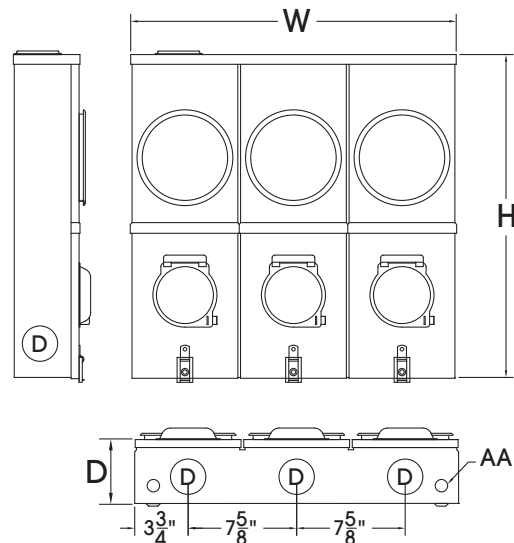
CATALOGUE #	TYPE	DESCRIPTION	DIMENSIONS (IN.)			WEIGHT
			H	W	D	
JA220PW	O/H	2 gang, c/w provision for 100 Amp circuit breaker	22 <sup>3</sup> / <sub>4</sub>	15 <sup>1</sup> / <sub>4</sub>	4 <sup>3</sup> / <sub>8</sub>	32 lbs.
JA220P-B	O/H	2 gang, c/w 100 Amp 10kA rate circuit breaker	22 <sup>3</sup> / <sub>4</sub>	15 <sup>1</sup> / <sub>4</sub>	4 <sup>3</sup> / <sub>8</sub>	34 lbs.
JA220P-HI	O/H	2 gang, c/w 100 Amp 22kA rate circuit breaker	22 <sup>3</sup> / <sub>4</sub>	15 <sup>1</sup> / <sub>4</sub>	4 <sup>3</sup> / <sub>8</sub>	34 lbs.
JA320PW	O/H	3 gang, c/w provision for circuit breaker	22 <sup>3</sup> / <sub>4</sub>	23	4 <sup>3</sup> / <sub>8</sub>	47 lbs.
JA320P-B	O/H	3 gang, c/w 100 Amp 10kA rate circuit breaker	22 <sup>3</sup> / <sub>4</sub>	23	4 <sup>3</sup> / <sub>8</sub>	49 lbs.
JA320P-HI	O/H	3 gang, c/w 100 Amp 22kA rate circuit breaker	22 <sup>3</sup> / <sub>4</sub>	23	4 <sup>3</sup> / <sub>8</sub>	49 lbs.
JA420PW	O/H	4 gang, c/w provision for circuit breaker	22 <sup>3</sup> / <sub>4</sub>	30 <sup>3</sup> / <sub>4</sub>	4 <sup>3</sup> / <sub>8</sub>	62 lbs.
JA420P-B	O/H	4 gang, c/w 100 Amp 10kA rate circuit breaker	22 <sup>3</sup> / <sub>4</sub>	30 <sup>3</sup> / <sub>4</sub>	4 <sup>3</sup> / <sub>8</sub>	64 lbs.
JA420P-HI	O/H	4 gang, c/w 100 Amp 22kA rate circuit breaker	22 <sup>3</sup> / <sub>4</sub>	30 <sup>3</sup> / <sub>4</sub>	4 <sup>3</sup> / <sub>8</sub>	64 lbs.

- Factory Bussed - 200 Amp Mains - 120/240 VOLT
- 2 - 4 position horizontal
- CSA enclosure 3R
- Conductor range #6 - 250 MCM CU/AL
- Supplied with screw type meter ring
- Bottom compartment has provision or c/w 2 pole circuit breaker (max 100 A) Siemens, GE, Eaton
- Approved for Overhead installation only, tunnel type connectors
- Add suffic "-RH" for right hand entry

- Add suffix "-L" for padlockable latch on the blank compartment
- Add suffix "-RH" for right hand entry



KNOCKOUT CODE	CONDUIT SIZE
D	1 <sup>1</sup> / <sub>4</sub> " , 1 <sup>1</sup> / <sub>2</sub> " , 2"
AA	1 <sup>1</sup> / <sub>2</sub> "





# JAU Series

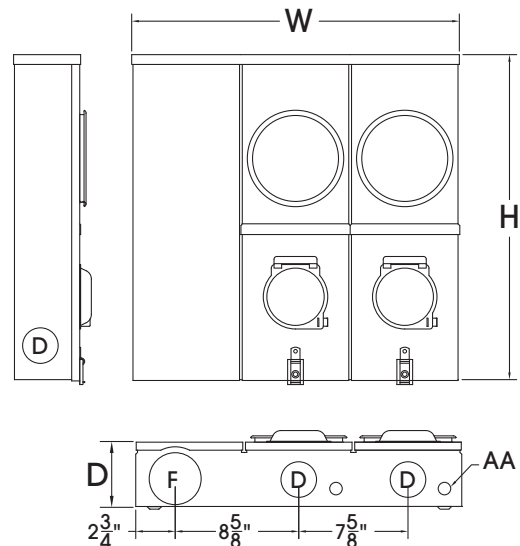
## 200 AMP - MULTI POSITION 200 Amp Main 100 Amp per position

CATALOGUE #	TYPE	DESCRIPTION	DIMENSIONS (IN.)			WEIGHT
			H	W	D	
JAU220PW	U/G	2 gang, c/w provision for 100 Amp circuit breaker	22 <sup>3</sup> / <sub>4</sub>	23	4 <sup>3</sup> / <sub>8</sub>	40 lbs.
JAU220P-B	U/G	2 gang, c/w 100 Amp 10kA rate circuit breaker	22 <sup>3</sup> / <sub>4</sub>	23	4 <sup>3</sup> / <sub>8</sub>	42 lbs.
JAU220P-HI	U/G	2 gang, c/w 100 Amp 22kA rate circuit breaker	22 <sup>3</sup> / <sub>4</sub>	23	4 <sup>3</sup> / <sub>8</sub>	42 lbs.
JAU320PW	U/G	3 gang, c/w provision for circuit breaker	22 <sup>3</sup> / <sub>4</sub>	30 <sup>3</sup> / <sub>4</sub>	4 <sup>3</sup> / <sub>8</sub>	55 lbs.
JAU320P-B	U/G	3 gang, c/w 100 Amp 10kA rate circuit breaker	22 <sup>3</sup> / <sub>4</sub>	30 <sup>3</sup> / <sub>4</sub>	4 <sup>3</sup> / <sub>8</sub>	57 lbs.
JAU320P-HI	U/G	3 gang, c/w 100 Amp 22kA rate circuit breaker	22 <sup>3</sup> / <sub>4</sub>	30 <sup>3</sup> / <sub>4</sub>	4 <sup>3</sup> / <sub>8</sub>	57 lbs.
JAU420PW	U/G	4 gang, c/w provision for circuit breaker	22 <sup>3</sup> / <sub>4</sub>	38 <sup>1</sup> / <sub>2</sub>	4 <sup>3</sup> / <sub>8</sub>	70 lbs.
JAU420P-B	U/G	4 gang, c/w 100 Amp 10kA rate circuit breaker	22 <sup>3</sup> / <sub>4</sub>	38 <sup>1</sup> / <sub>2</sub>	4 <sup>3</sup> / <sub>8</sub>	72 lbs.
JAU420P-HI	U/G	4 gang, c/w 100 Amp 22kA rate circuit breaker	22 <sup>3</sup> / <sub>4</sub>	38 <sup>1</sup> / <sub>2</sub>	4 <sup>3</sup> / <sub>8</sub>	72 lbs.

- Factory Bussed - 200 Amp Mains - 120/240 VOLT
- 2 - 4 position horizontal
- CSA enclosure 3R
- Conductor range #6 - 250 MCM CU/AL
- Supplied with screw type meter ring
- Bottom compartment has provision or c/w 2 pole circuit breaker (max 100 A) Siemens, GE, Eaton
- Approved for underground installation only, 1/2" studs on line side, with blank wiring compartment

- Add suffix "-L" for padlockable latch on the blank compartment
- Add suffix "-RH" for right hand entry

KNOCKOUT CODE	CONDUIT SIZE
D	1 <sup>1</sup> / <sub>4</sub> " , 1 <sup>1</sup> / <sub>2</sub> " , 2"
F	1 <sup>1</sup> / <sub>4</sub> " , 1 <sup>1</sup> / <sub>2</sub> " , 2" , 2 <sup>1</sup> / <sub>2</sub> " , 3"
AA	1/2"





# H20 Series



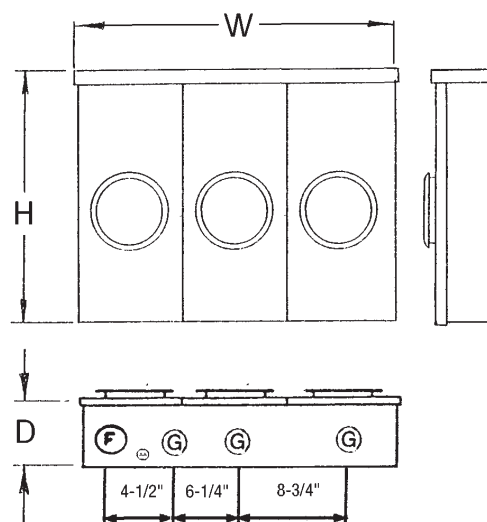
## 200 AMP - MULTI POSITION 200 Amp Main

CATALOGUE #	TYPE	DESCRIPTION	DIMENSIONS (IN.)			WEIGHT
			H	W	D	
H22R	O/H & U/G	2 gang, 200 Amp main, 200 Amp per position	15 <sup>1</sup> / <sub>8</sub>	17 <sup>7</sup> / <sub>16</sub>	5 <sup>1</sup> / <sub>8</sub>	42 lbs.
H23R	O/H & U/G	3 gang, 200 Amp main, 200 Amp per position	15 <sup>1</sup> / <sub>8</sub>	26 <sup>3</sup> / <sub>16</sub>	5 <sup>1</sup> / <sub>8</sub>	58 lbs.
H24R	O/H & U/G	4 gang, 200 Amp main, 200Amp per position	15 <sup>1</sup> / <sub>8</sub>	34 <sup>15</sup> / <sub>16</sub>	5 <sup>1</sup> / <sub>8</sub>	74 lbs.

- Factory Bussed - 200 Amp Mains
- 4 Jaw meter socket
- 200 Amp - 600 Volts per position
- CSA enclosure 3R
- Approved conductor range:  
Line 6-250 MCM AWG CU/AL  
Load No. 6-250 MCM AWG

- Order **SXC** hubs separate
- Approved for overhead or underground use
- Add suffix "H" for right hand entry

KNOCKOUT CODE	CONDUIT SIZE
G	1 <sup>1</sup> / <sub>4</sub> " , 1 <sup>1</sup> / <sub>2</sub> " , 2" , 2 <sup>1</sup> / <sub>2</sub> "
AA	1 <sup>1</sup> / <sub>2</sub> "
F	1 <sup>1</sup> / <sub>4</sub> " , 1 <sup>1</sup> / <sub>2</sub> " , 2" , 2 <sup>1</sup> / <sub>2</sub> " , 3"





# HC20 Series

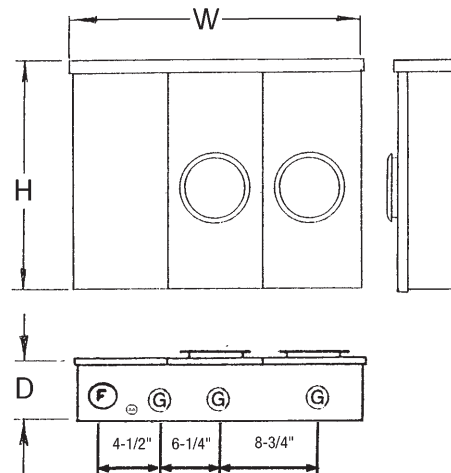
## 200 AMP -MULTI POSITION 200 Amp Main c/w Blank Compartment

CATALOGUE #	TYPE	DESCRIPTION	DIMENSIONS (IN.)			WEIGHT
			H	W	D	
HC22R	O/H & U/G	2 gang, 200 Amp main, 200 Amp per position	15 <sup>1</sup> / <sub>8</sub>	26 <sup>3</sup> / <sub>16</sub>	5 <sup>1</sup> / <sub>8</sub>	46 lbs.
HC23R	O/H & U/G	3 gang, 200 Amp main, 200 Amp per position	15 <sup>1</sup> / <sub>8</sub>	34 <sup>15</sup> / <sub>16</sub>	5 <sup>1</sup> / <sub>8</sub>	62 lbs.
HC24R	O/H & U/G	4 gang, 200 Amp main, 200Amp per position	15 <sup>1</sup> / <sub>8</sub>	43 <sup>11</sup> / <sub>16</sub>	5 <sup>1</sup> / <sub>8</sub>	78 lbs.

- Blank compartment on left side for underground
- Factory Bussed - 200 Amp Mains
- 4 Jaw meter socket
- 200 Amp - 600 Volts per position
- CSA enclosure 3R
- Approved conductor range:  
Line 6-250 MCM AWG CU/AL  
Load No. 6-250 MCM AWG

- Order **SXC** hubs separate
- Approved for overhead or underground use
- Use **SXK503** for 5th jaw at 9 O'clock
- Add suffix "H" for right hand entry

KNOCKOUT CODE	CONDUIT SIZE
G	1 <sup>1</sup> / <sub>4</sub> ", 1 <sup>1</sup> / <sub>2</sub> ", 2", 2 <sup>1</sup> / <sub>2</sub> "
AA	1 <sup>1</sup> / <sub>2</sub> "
F	1 <sup>1</sup> / <sub>4</sub> ", 1 <sup>1</sup> / <sub>2</sub> ", 2", 2 <sup>1</sup> / <sub>2</sub> ", 3"



# MSC20 Series



METER  
SOCKETS

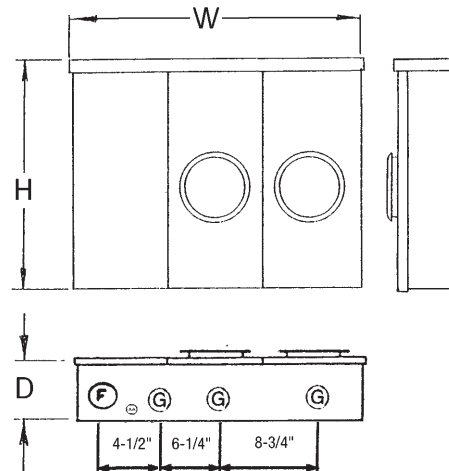
## 200 AMP - MULTI POSITION 1/2" STUDS 200 Amp Main c/w Blank Compartment

CATALOGUE #	TYPE	DESCRIPTION	DIMENSIONS (IN.)			WEIGHT
			H	W	D	
<b>MSC22R</b>	U/G	2 gang, c/w 1/2" compression studs	15 1/8	26 3/16	5 1/8	53 lbs.
<b>MSC23R</b>	U/G	3 gang, c/w 1/2" compression studs	15 1/8	34 15/16	5 1/8	70 lbs.
<b>MSC24R</b>	U/G	4 gang, c/w 1/2" compression studs	15 1/8	43 11/16	5 1/8	88 lbs.

- Factory Bussed 200 Amp Mains
- 200 Amp, 600 VOLT per position
- 2 - 4 position horizontal
- 4 Jaw meter sockets
- CSA weatherproof enclosure 3R
- Approved conductor range
- Line - studs (two 1/2" per phase)
- Provided for compression type wire connectors
- Load - #6 - 250 MCM CU/AL

- *Underground ONLY*
- Use **SXC022** for water heater lug kit
- Add suffix "H" for right hand entry

KNOCKOUT CODE	CONDUIT SIZE
<b>G</b>	1 1/4", 1 1/2", 2", 2 1/2"
<b>AA</b>	1/2"
<b>F</b>	1 1/4", 1 1/2", 2", 2 1/2", 3"





# H40 Series

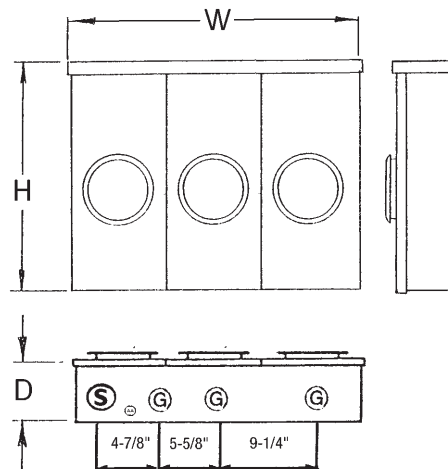
## 200 AMP - MULTI POSITION 400 Amp Main

CATALOGUE #	TYPE	DESCRIPTION	DIMENSIONS (IN.)			WEIGHT
			H	W	D	
H42R	O/H & U/G	2 gang, 400 Amp main, 200 Amp per position	22 <sup>13</sup> / <sub>16</sub>	18 <sup>9</sup> / <sub>16</sub>	6 <sup>1</sup> / <sub>8</sub>	42 lbs.
H43R	O/H & U/G	3 gang, 400 Amp main, 200 Amp per position	22 <sup>13</sup> / <sub>16</sub>	27 <sup>13</sup> / <sub>16</sub>	6 <sup>1</sup> / <sub>8</sub>	58 lbs.
H44R	O/H & U/G	4 gang, 400 Amp main, 200 Amp per position	22 <sup>13</sup> / <sub>16</sub>	37 <sup>1</sup> / <sub>16</sub>	6 <sup>1</sup> / <sub>8</sub>	74 lbs.
H45R	O/H & U/G	5 gang, 400 Amp main, 200 Amp per position	22 <sup>13</sup> / <sub>16</sub>	46 <sup>5</sup> / <sub>16</sub>	6 <sup>1</sup> / <sub>8</sub>	87 lbs.
H46R	O/H & U/G	6 gang, 400 Amp main, 200 Amp per position	22 <sup>13</sup> / <sub>16</sub>	55 <sup>9</sup> / <sub>16</sub>	6 <sup>1</sup> / <sub>8</sub>	104 lbs.

- Double entrance holes (top)
- Factory bussed 400 Amp Mains
- 200 Amp, 600 VOLT per position
- 2 - 6 position horizontal
- 4 Jaw meter sockets
- CSA weatherproof enclosure 3R
- Approved conductor range:  
Line 1 - No. 2 - 600 MCM CU/AL  
or Two - 1/0 - 250 MCM CU/AL  
Load No. 6 - 250 MCM CU/AL

- For overhead order **HD** Series hub separate
- Add suffix "H" for right hand entry
- Approved for overhead and underground installations
- Use **SXK503** for 5th jaw at 9 O'clock
- Use **SXC022** for water heater lug kit

KNOCKOUT CODE	CONDUIT SIZE
G	1 <sup>1</sup> / <sub>4</sub> ", 1 <sup>1</sup> / <sub>2</sub> ", 2", 2 <sup>1</sup> / <sub>2</sub> "
S	3", 3 <sup>1</sup> / <sub>2</sub> ", 4"
AA	1 <sup>1</sup> / <sub>2</sub> "



# HC40 Series



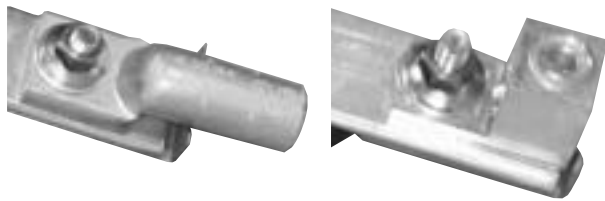
METER  
SOCKETS

## 200 AMP - MULTI POSITION 400 Amp Main c/w Blank Compartment

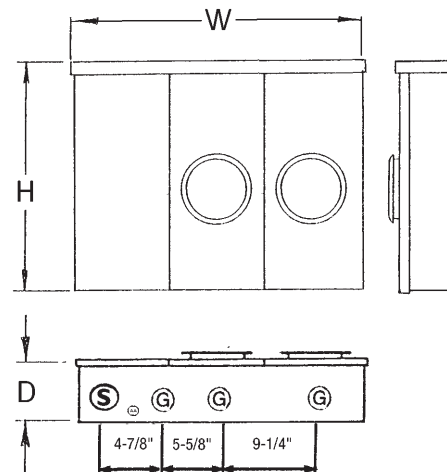
CATALOGUE #	TYPE	DESCRIPTION	DIMENSIONS (IN.)			WEIGHT
			H	W	D	
HC42R	O/H & U/G	2 gang, 400 Amp main, 200 Amp per position	22 <sup>13</sup> / <sub>16</sub>	27 <sup>13</sup> / <sub>16</sub>	6 <sup>1</sup> / <sub>8</sub>	48 lbs.
HC43R	O/H & U/G	3 gang, 400 Amp main, 200 Amp per position	22 <sup>13</sup> / <sub>16</sub>	37 <sup>1</sup> / <sub>16</sub>	6 <sup>1</sup> / <sub>8</sub>	65 lbs.
HC44R	O/H & U/G	4 gang, 400 Amp main, 200 Amp per position	22 <sup>13</sup> / <sub>16</sub>	46 <sup>5</sup> / <sub>16</sub>	6 <sup>1</sup> / <sub>8</sub>	83 lbs.
HC45R	O/H & U/G	5 gang, 400 Amp main, 200 Amp per position	22 <sup>13</sup> / <sub>16</sub>	55 <sup>9</sup> / <sub>16</sub>	6 <sup>1</sup> / <sub>8</sub>	103 lbs.
HC46R	O/H & U/G	6 gang, 400 Amp main, 200 Amp per position	22 <sup>13</sup> / <sub>16</sub>	64 <sup>13</sup> / <sub>16</sub>	6 <sup>1</sup> / <sub>8</sub>	121 lbs.

- Double entrance holes (top)
- Factory Bussed 400 Amp Mains
- 200 Amp, 600 VOLT per position
- 2 - 6 position horizontal
- 4 Jaw meter sockets
- CSA weatherproof enclosure 3R
- Approved conductor range:  
Line 1 No. 2 - 600 MCM CU/AL  
or two - 1/0 - 250 MCM CU/AL  
Load No. 6 - 250 MCM CU/AL
- May be field converted for use with single stud 500 mcm

- For overhead order **HD** series hub separate
- Add suffix "H" for right hand entry
- Approved for overhead & underground installations
- Use **SXK503** for 5th jaw at 9 O'clock



KNOCKOUT CODE	CONDUIT SIZE
G	1 <sup>1</sup> / <sub>4</sub> ", 1 <sup>1</sup> / <sub>2</sub> ", 2", 2 <sup>1</sup> / <sub>2</sub> "
S	3", 3 <sup>1</sup> / <sub>2</sub> ", 4"
AA	1 <sup>1</sup> / <sub>2</sub> "





# MSC40 Series

## 200 AMP - MULTI POSITION STUD TYPE 400 Amp Main c/w Blank Compartment

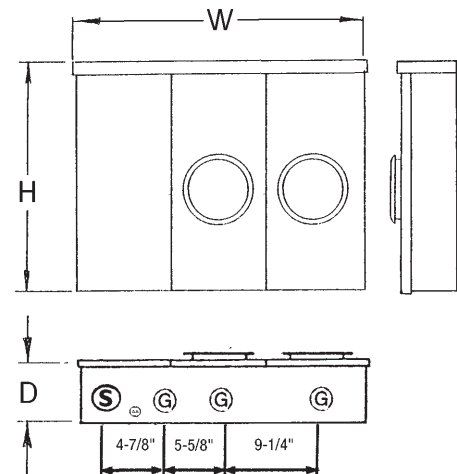
CATALOGUE #	TYPE	DESCRIPTION	DIMENSIONS (IN.)			WEIGHT
			H	W	D	
<b>MSC42TW</b>	U/G	2 gang, c/w 1/2" Compression studs	22 <sup>13</sup> / <sub>16</sub>	27 <sup>13</sup> / <sub>16</sub>	6 <sup>1</sup> / <sub>8</sub>	48 lbs.
<b>MSC43TW</b>	U/G	3 gang, c/w 1/2" Compression studs	22 <sup>13</sup> / <sub>16</sub>	37 <sup>1</sup> / <sub>16</sub>	6 <sup>1</sup> / <sub>8</sub>	65 lbs.
<b>MSC44TW</b>	U/G	4 gang, c/w 1/2" Compression studs	22 <sup>13</sup> / <sub>16</sub>	46 <sup>5</sup> / <sub>16</sub>	6 <sup>1</sup> / <sub>8</sub>	83 lbs.
<b>MSC45TW</b>	U/G	5 gang, c/w 1/2" Compression studs	22 <sup>13</sup> / <sub>16</sub>	55 <sup>9</sup> / <sub>16</sub>	6 <sup>1</sup> / <sub>8</sub>	103 lbs.
<b>MSC46TW</b>	U/G	6 gang, c/w 1/2" Compression studs	22 <sup>13</sup> / <sub>16</sub>	64 <sup>13</sup> / <sub>16</sub>	6 <sup>1</sup> / <sub>8</sub>	121 lbs.

\* Also available with two (2) blank compartments (see MSC800 Series)

- Factory Bussed 400 Amp Mains
- 200 Amp, 600 VOLT per position
- 2 - 6 position horizontal
- 4 Jaw meter sockets
- CSA weatherproof enclosure 3R
- Approved conductor range:  
Line - studs (1/2" per phase) provided for compression type wire connectors  
Load - #6 - 250 MCM CU/AL
- Underground only

- Use **SXK503** for 5th jaw at 9 O'clock
- Add suffix "H" for right hand entry

KNOCKOUT CODE	CONDUIT SIZE
<b>G</b>	1 <sup>1</sup> / <sub>4</sub> ", 1 <sup>1</sup> / <sub>2</sub> ", 2", 2 <sup>1</sup> / <sub>2</sub> "
<b>S</b>	3", 3 <sup>1</sup> / <sub>2</sub> ", 4"
<b>AA</b>	1/2"



# MSC800 Series



METER  
SOCKETS

## 200 AMP - MULTI POSITION STUD TYPE 400 Amp Mains c/w 2 Blank Compartments

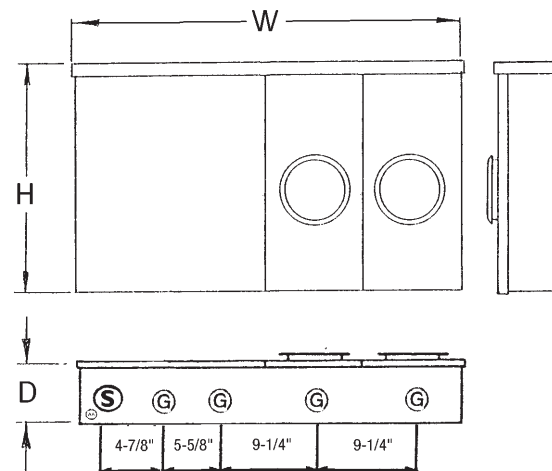
CATALOGUE #	TYPE	DESCRIPTION	DIMENSIONS (IN.)			WEIGHT
			H	W	D	
MSC820TW	U/G	2 gang, c/w 1/2" Compression studs	22 <sup>13</sup> / <sub>16</sub>	37 <sup>1</sup> / <sub>16</sub>	6 <sup>1</sup> / <sub>8</sub>	53 lbs.
MSC830TW	U/G	3 gang, c/w 1/2" Compression studs	22 <sup>13</sup> / <sub>16</sub>	46 <sup>5</sup> / <sub>16</sub>	6 <sup>1</sup> / <sub>8</sub>	70 lbs.
MSC840TW	U/G	4 gang, c/w 1/2" Compression studs	22 <sup>13</sup> / <sub>16</sub>	56 <sup>1</sup> / <sub>8</sub>	6 <sup>1</sup> / <sub>8</sub>	88 lbs.
MSC850TW	U/G	5 gang, c/w 1/2" Compression studs	22 <sup>13</sup> / <sub>16</sub>	65	6 <sup>1</sup> / <sub>8</sub>	108 lbs.
MSC860TW	U/G	6 gang, c/w 1/2" Compression studs	22 <sup>13</sup> / <sub>16</sub>	74 <sup>5</sup> / <sub>8</sub>	6 <sup>1</sup> / <sub>8</sub>	126 lbs.

\* Also available with one (1) blank compartment (see MSC40 Series)

- Factory Bussed 400 Amp Mains
- 200 Amp, 600 VOLT per position
- 2 - 6 position horizontal
- 4 Jaw meter sockets
- CSA weatherproof enclosure 3R
- Approved conductor range:  
Line - studs (two 1/2" per phase) provided for compression type wire connectors  
Load - #6 - 250 MCM CU/AL
- Underground only

- Add suffix "H" for right hand entry
- Use **SXK503** for 5th jaw at 9 O'clock

KNOCKOUT CODE	CONDUIT SIZE
G	1 <sup>1</sup> / <sub>4</sub> ", 1 <sup>1</sup> / <sub>2</sub> ", 2", 2 <sup>1</sup> / <sub>2</sub> "
S	3", 3 <sup>1</sup> / <sub>2</sub> ", 4"
AA	1/2"





# CT4 Series

## 400 AMP METER SOCKET 120/240 VOLT, Single Phase



CT4-TS

- Overhead/Underground
- Tunnel lug kit supplied for overhead service LK250, LK500, LK750 upon request
- Line side - double  $\frac{1}{2}$ " studs to accommodate compression lugs for underground service (1 x 500 MCM or 2 x 250 MCM)  
Load side - one #4 - 600 MCM  
or two 1/0 - 250 MCM tunnel type connectors  
Neutral -  $\frac{1}{2}$ " studs to accept two 500 MCM compression type lugs  
- lugs, one #4 - 600 MCM or  
two 1/0 - 250 MCM
- Dimensions, 30" x 20" x 8" or 36" x 20" x 8"  
Weight, 75 lbs. or 80 lbs.  
Ko's 3" - 3 $\frac{1}{2}$ ", 4"
- CSA approved



# CT4 Series



## 400 AMP METER SOCKET 120/240 VOLT, Single Phase

CATALOGUE #	ENCL. SIZE	JAWS	BY-PASS	CT RATIO	TEST SWITCH	WIRE	REGION
CT4	36"	5	Yes	No	No	Yes	Ontario
CT4-2	36"	5	Yes	200:5	No	Yes	Ontario
CT4-3	36"	5	Yes	300:5	No	Yes	Ontario
CT4-4	36"	5	Yes	400:5	No	Yes	Ontario
CT4-M	36"	4	Yes	No	No	Yes	Ontario
CT4-TS	30"	4	No	400:5	Yes	Yes	Ontario
CT4-TS-OT	30"	4	Yes	No	Yes	No	Ottawa
CT4-TS5	36"	5	Yes	400:5	Yes	Yes	Ontario
CT4-TSHO	36"	5	No	No	Yes	Yes	Hydro One
CT4-TSMB	36"	5	No	No	Yes	Yes	Manitoba
CT4-TSB	30"	5	Yes	400:5	Yes	Yes	Ontario
CT4-TSB-NB	30"	5	No	400:5	Yes	Yes	New Brunswick
CT4-TSB-PE	30"	5	No	300:5	Yes	Yes	P.E.I.
CT4-TSB-PE7	36"	5	No	300:5	Yes	Yes	P.E.I.
CT4-TSB2	30"	5	Yes	200:5	Yes	Yes	Ontario
CT4-TSB3	30"	5	Yes	300:5	Yes	Yes	Ontario
CT4-BC	36"	5	No	No	No	No	British Columbia
CT4-BC-INK	36"	5	No	No	No	No	British Columbia
CT4-NS	30"	4	No	No	No	Yes	Nova Scotia
CT4-NS7	36"	4	No	No	No	Yes	Nova Scotia
CT4-S	36"	5	Yes	No	No	Yes	Saskatchewan
	<b>Accessories</b>						
CT4-PMK	Pole Bracket for 30" enclosure						
CT4-PMK36	Pole Bracket for 36" enclosure						
	<b>Overhead Service Conversion Kits supplied on request</b>						
LK250	Twin 250 MCM lug kit						
LK500	Single 500 MCM lug kit						
LK750	Single 750 MCM lug kit						

- Overhead/Underground
- Hub plate supplied for underground service
- Lug kit supplied separately for overhead service
- Line side - double 1/2" studs to accommodate compression lugs for underground service (1 x 500 MCM or 2 x 250 MCM)  
Load side - one #4 - 600 MCM or two 1/0 - 250 MCM tunnel type connectors  
Neutral - 1/2" studs to accept one 500 MCM compression type lugs  
- lugs, one#4 - 600 MCM or two 1/0 - 250 MCM
- CT, three wire current transformer provides low current for service metering proportional to higher current draw approved by CCA Canada
- CSA approved



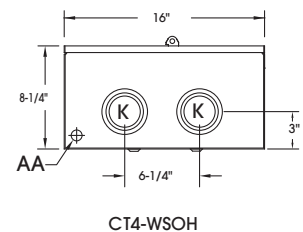
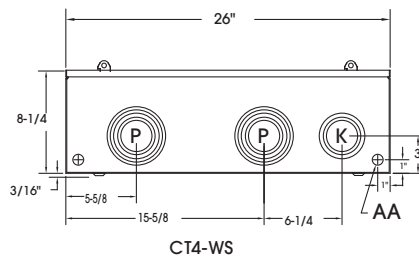
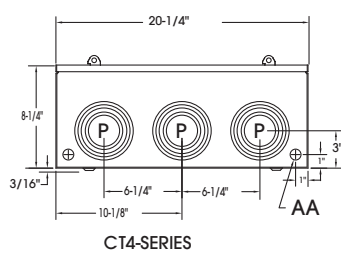
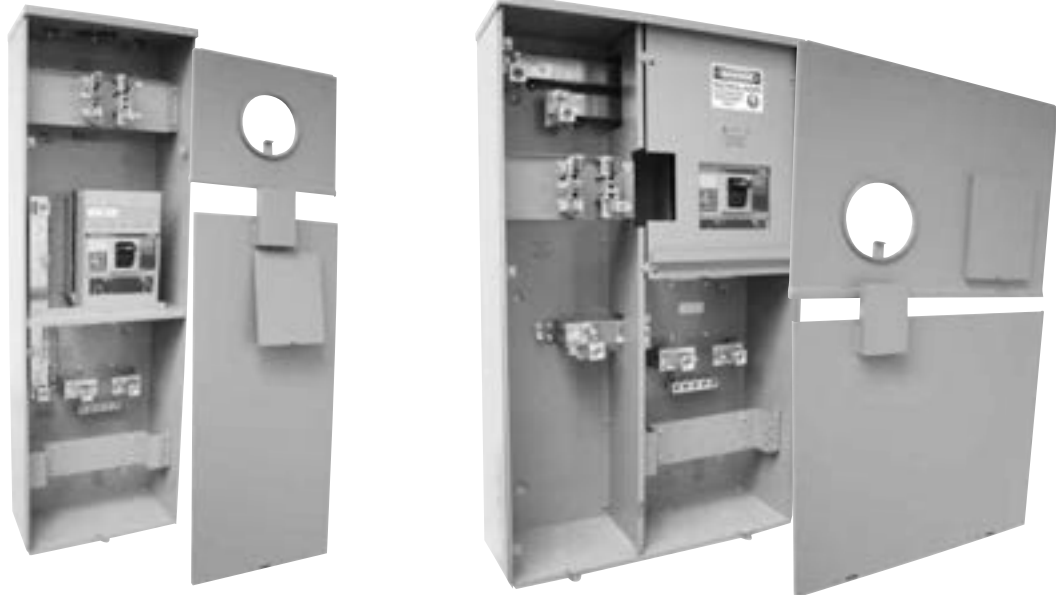
# CT4 Series

## 400 AMP METER SOCKET 120/240 VOLT, Single Phase c/w circuit breaker

CATALOGUE #	TYPE	DESCRIPTION	DIMENSIONS (IN.)			WEIGHT
			H	W	D	
<b>CT4-WS-BC</b>	U/G	5 Jaw, c/w 400 AMP 65kA rated circuit breaker	42	26	8 <sup>1</sup> / <sub>4</sub>	110 lbs.
<b>CT4-WSOH-BC</b>	O/H	5 Jaw, c/w 400 AMP 65kA rated circuit breaker	50	16	8 <sup>1</sup> / <sub>4</sub>	68 lbs.
<b>CT4PMK-WS</b> <b>CT4PMKWSOH</b>		<b>Accessories</b> Pole Bracket for CT4-WS-BC Pole Bracket for CT4-WSOH-BC				

- 400 Amp - 120/240 VOLT
- All in One Transformer Rated
- Combination meter socket & Siemens 400A 240V 65 KA breaker
- CSA enclosure 3R
- Load and line side terminations: tunnel type connectors, dual rated for 1 x 600 kcmil or 2 x 250 kcmil
- Provision for test switch *(Supplied by Hydro)*
- Provision for current transformer *(Supplied by Hydro)*
- Secondary circuit wiring not included *(secondary circuit wired by Hydro)*

KNOCKOUT CODE	CONDUIT SIZE
<b>K</b>	2", 2 <sup>1</sup> / <sub>2</sub> ", 3"
<b>P</b>	2", 2 <sup>1</sup> / <sub>2</sub> ", 3", 3 <sup>1</sup> / <sub>2</sub> ", 4"
<b>AA</b>	1 <sup>1</sup> / <sub>2</sub> "

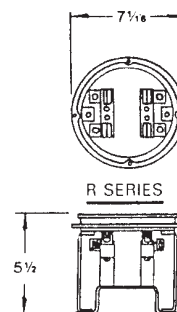


# Panel Mounting Socket

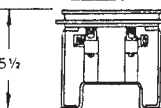
## TAYLOR FUSE PULLOUTS



	RING STYLE SOCKET MOUNTED ON DIE CAST RING		PLATE STYLE SOCKET MOUNTED ON 10" X 10" 16 GA STEEL PLATE COVER	
DESCRIPTION	CAT. #	COLUMN DESCRIPTION	CAT. #	COLUMN DESCRIPTION
100 Amp - 600 Volt #6 - 1/0 AWG CU/AL	<b>R4-1</b>	4 Jaw	<b>P4-1</b>	4 Jaw
	<b>R5-1</b>	5 Jaw	<b>P5-1</b>	5 Jaw
	<b>R7-1</b>	6 O'clock 7 Jaw	<b>P7-1</b>	6 O'clock 7 Jaw
200 Amp - 600 VOLT #6 - 250 MCM CU/AL	<b>R4-2</b>	4 Jaw	<b>P4-2</b>	4 Jaw
	<b>R5-2</b>	5 Jaw	<b>P5-2</b>	5 Jaw
	<b>R7-2</b>	6 O'clock 7 Jaw	<b>P7-2</b>	6 O'clock 7 Jaw
Transformer rated units 20 Amps - 600 VOLTS #14 - #8 CU	<b>R8</b>	8 Jaw	<b>P8</b>	8 Jaw
	<b>R13</b>	13 Jaw	<b>P13</b>	13 Jaw
	<b>R139</b>	13 Jaw c/w by-pass	<b>P139</b>	13 Jaw c/w by-pass

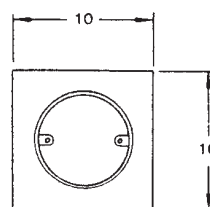


R SERIES

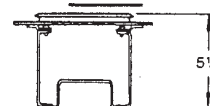


### WEIGHT




100 Amp - 8 lbs.  
200 Amp - 10 lbs.



P SERIES



### Retrofits Taylor

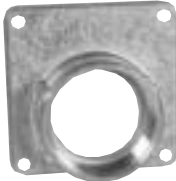
TAYLOR FUSE PULLOUTS	CAT. #	POLES	AMPS	DESCRIPTION
ADDING/REPLACEMENT MODULES NHP Fuse Panel Series and HP (Combination) Service Entrance Panel Series  130A	215	2-SP	30	Module
 130A	130A	1-2P 1-2P	30 30	Base Pullout
 160	160	1-2P 1-2P	60 60	Base Pullout




# Accessories

## HUBS / PLATES


### Interchangeable Hubs for 2 1/2" Hub Opening

CATALOGUE #	DESCRIPTION	WEIGHT	
<b>SXC100</b>	1"	40 lbs./100	
<b>SXC125</b>	1 1/4"	40 lbs./100	
<b>SXC150</b>	1 1/2"	40 lbs./100	
<b>SXC200</b>	2"	40 lbs./100	
<b>SXC250</b>	2 1/2"	40 lbs./100	


### Mast Coupler

CATALOGUE #	DESCRIPTION	WEIGHT	
<b>MC200S</b>	One size c/w screw A great time and money saver in overhead installation - replaces bottom reducers and SXC series meter socket hubs Will accommodate 1 1/4" and 2"	35 lbs./100	

### Interchangeable Hubs for 4 1/4" Hub Opening


CATALOGUE #	DESCRIPTION	WEIGHT	
<b>HD200</b>	2" H40, STC, SFVC, STVC, HC40	8 lbs./10	
<b>HD250</b>	2 1/2" H40, STC, SFVC, STVC, HC40	8 lbs./10	
<b>HD300</b>	3" H40, STC, SFVC, STVC, HC40	8 lbs./10	
<b>HD350</b>	3 1/2" H40, STC, SFVC, STVC, HC40	8 lbs./10	
<b>HD400</b>	4" H40, STC, SFVC, STVC, HC40	8 lbs./10	

### Replacement Hub Plate - Closing


CATALOGUE #	DESCRIPTION	WEIGHT	
<b>SXC000</b>	Small hub opening, 2 1/2"	2 lbs./10	
<b>HD000</b>	Large hub opening, 4 1/4"	6 lbs./10	
<b>HD2025</b>	Adapter plate reduces 4" opening to hub size	8 lbs./10	



### Meter Socket Sealing Rings

CATALOGUE #	DESCRIPTION	WEIGHT	
<b>SX001M</b> <b>SX002M</b>	Slip Lock Type Latch Type or Buckle Type (Meter Sealing Ring)	15 lbs./100 17 lbs./100	 <p>SX001M</p>
<b>SX006SS</b> <b>SX008M</b>	Stainless Steel Screw Type Tamperproof Acrylic (Peerless)	25 lbs./100 25 lbs./100	

### Meter Opening Cover Plates






CATALOGUE #	DESCRIPTION	WEIGHT	
<b>SX087MD</b> <b>SX087MC</b> <b>SX087CB</b> <b>SX025P</b> <b>SX087S</b>	Hard Plastic Clear Lexan Clear Bladed Lexan Plastic (temporary) - Throw Away Steel	12 lbs./100 12 lbs./100 13 lbs./100 1 lb./100 1 lb.	 <p>SX087MD</p>
<b>SX087SMC-5</b> <b>SX087SMC-9</b> <b>SX087PG</b>	Meter Protector 5" Depth – Entire Front Lifts Meter Protector 9" Depth – Entire Front Lifts Meter Puller (Polycarbonate Plastic)	3 lbs. 5 lbs. 3 lbs.	



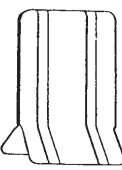
# Accessories

## SEALS & JUMPER BARS

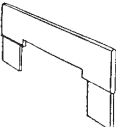

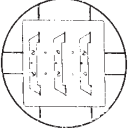
### Meter Seals

CATALOGUE #	DESCRIPTION	WEIGHT	
<b>FA100G</b>	Padlock Galvanized c/w Stainless Steel Wire (STD) PAC 200)	15 lbs./m	
<b>FA400P</b>	Plastic Padlock c/w Stainless Steel Wire (STD PAC 1000) - Embossing & various colours available	14 lbs./m	
<b>FA300P</b>	All Plastic Padlock - Orange (STD PAC 1000) - Embossing & various colours available	1 lb./m	
<b>FA200M</b>	Lead Seal c/w 6" Wire (STD PAC 250)	10 lbs./m	
<b>FA209M</b>	Lead Seal c/w 9" Wire (STD PAC 250)	11 lbs./m	

### Socket Meter Disconnect Sleeve

CATALOGUE #	DESCRIPTION	WEIGHT	
<b>AD500</b>	Clear Mylar - 144 pieces per package	1 lb./m Sold in Pkg. Of 144 Only	

### Jumper Bars / Cover

CATALOGUE #	DESCRIPTION	WEIGHT	
<b>JB2</b>	Insulated, 200 Amp Max. Jumper Bars	5 lbs./100	
<b>JC4B</b>	Jumper Covers, 4 Jaw c/w Handle	1 lb. each	
<b>JC6B</b>	Jumper Covers, 7 Jaw c/w Handle	1 lb. each	



### Insulated Neutrals and 5th Jaw Assemblies

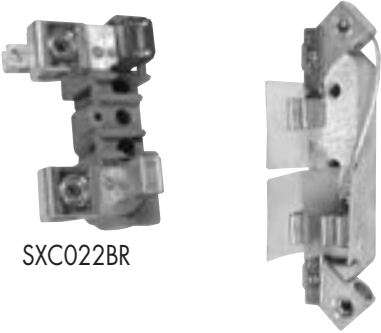
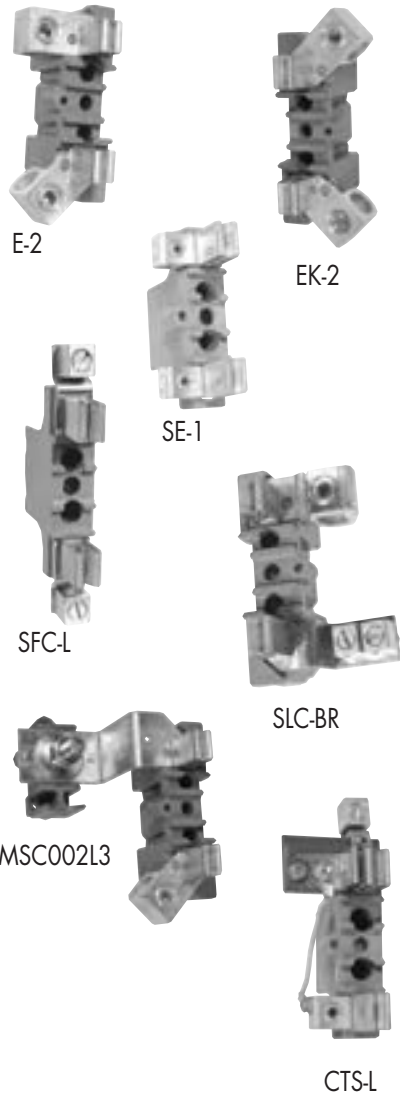
CATALOGUE #	DESCRIPTION	
<b>INK 100</b>	Insulated Neutral - 100 Amp, 14 - 1/0 SE400 Series SFC 700	
<b>INK 105</b>	5TH Jaw in 6 O'clock, 14 - 1/0 SE400	
<b>INK105Y</b>		
<b>INK 200</b>	Insulated Neutral, 200 Amp, 6-250 MCM EK400 Series STC700 Series SLC400 Series	
<b>INK 501</b>	5th Jaw in 6 O'clock, 6-250 MCM Used on all 200 Amp Sockets	
<b>SXX 503</b>	5th Jaw in 9 O'clock, 14 - 1/0 Used on all 100 Amp and 200 Amp Sockets	
<b>SXX503BC</b>	5th Jaw in 9 O'clock BC only, 14 - 1/0	
<b>SXX503T</b>	5th Jaw - Toronto Hydro approved, 14 - 1/0	

### Conversion Kits

CATALOGUE #	DESCRIPTION	WEIGHT	
<b>SXC022</b>	Waterheater Lug Kit, 14 - 6 (MSC + H Series)	5 lbs./100	
<b>SXCONY</b>	North York Dead End Ass'y., 14 - 6 SLC, MSC, SE	5 lbs./100	
<b>SS002</b>	Safety Shrouds (100 Amp and 200 Amp Jaws)	1 lb./1000	



## Replacement Block Assemblies

CATALOGUE #	DESCRIPTION		
<b>MSC002L</b>	MSC Series Porcelain Only	Left	 <p>SXC022BR</p> <p>SXC700B</p>
<b>MSC002R</b>	MSC Series Porcelain Only	Right	
<b>SXC002B</b>	SLC & STC Porcelain Only	Standard	
<b>SXC022BL</b>	SLC with w/h lug SLC 420	Left	
<b>SXC022BR</b>	SLC with w/h lug SLC 420	Right	
<b>SXC700B</b>	STC Centre Phase		
<b>EK-2</b>	EK Series		 <p>E-2</p> <p>EK-2</p> <p>SE-1</p> <p>SFC-L</p> <p>SLC-BR</p> <p>MSC002L3</p> <p>CTS-L</p>
<b>E-2</b>	E400RO Series Straight Lug lineside		
<b>SE-1</b>	SE & SH - JA	Standard	
<b>SE-L</b>	SE with w/h lug SE420RW	Left	
<b>SE-R</b>	SE with w/h lug SE 420 RW	Right	
<b>SFC-L</b>	SFC Centre Phase	Left	
<b>SFC-R</b>	SFC Centre Phase	Right	
<b>SFC-E</b>	SFC End Block	Left & Right	
<b>SD-L</b>	SD Series	Left	
<b>SD-R</b>	SD Series	Right	
<b>HC-L</b>	HC & H Series, Old porcelain style	Left	
<b>HC-R</b>	HC & H Series, Old porcelain style	Right	
<b>SLC-BL</b>	SLC 402, Subfeed style	Left	
<b>SLC-BR</b>	SLC 402, Subfeed style	Right	
<b>MSC002L3</b>	Plastic MSC400TW	Left	
<b>MSC002R3</b>	Plastic MSC400TW	Right	
<b>H22BL</b>	H22 Series plastic	Left	
<b>H22BR</b>	H22 Series plastic	Right	
<b>HC-LP</b>	H40 Series plastic	Left	
<b>HC-RP</b>	H40 Series plastic	Right	
<b>SLC-P</b>	SLC Series plastic	Left & Right	
<b>CTS-L</b>	CTS 409 c/w by pass	Left	



# Typical Wiring Diagrams



CATALOGUE #	REFERENCE METER SOCKETS	CATALOGUE #	REFERENCE METER SOCKETS
SH400 SE400 SLC400 MSC400 E400		CTS409	
SE500 SLC500		CTS800	
SFC700 STC700		CTS130 CTS139	
SE503 SE501 SLC503 SLC501			



# Meter Sockets

## CROSS REFERENCE LIST

HYDEL	EATON CUTLER HAMMER	THOMAS & BETTS MICRO ELECTRIC	HYDEL	EATON CUTLER HAMMER	THOMAS & BETTS MICRO ELECTRIC
EK400P	J2	BQ2-V	MSC820TW	2KU4CLX	BSC42-VG
EK400L	J2-2	BQ2-2V	MSC830TW	3KU4CLX	BSC43-VG
EK400D		BQ2-22V	MSC840TW	4KU4CLX	BSC44-VG
EK400T	JU2	BQ2-TV	MSC850TW	5KU4CLX	BSC45-VG
EK400TO	LU2	BS2-TV	MSC860TW	6KU4CLX	BSC46-VG
EK400R	JM2		SDC220PW	2KN1	BEC2-VA
EK400ROBC	LMB3	BS2-TCVBC	SDC320PW	3KN1	BEC3-VA
EK400RO	LM2	BS2-TCV	SDC420PW	4KN1	BEC4-VA
EK400DP	J22	BQ2-22VNH	SDC520PW	5KN1	BEC5-VA
MSC400TW	CLX	MO2-V	SDC620PW	6KN1	BEC6-VA
MSC400TW-ON		MO2-VO	SD220PW		BE2-V
SLC420RW	LM2-W2	BS22-WTCV	SD320PW		BE3-V
SLC400RW		BS2L-TCV	SD420PW		BE4-V
SLC400RWBC		BS2L-TCVBCR	SD520PW		BE5-V
SLC402RW	LM2-SF	BS2M-V	SD620PW		BE6-V
SE400JW	K1-N1-1/4	BE1-11/4V	SFC700PW		PL17-V
SE400PW	K1-N	BE1-V	SFC700RW	P17-0	PL17-TCV
SE400TW	KU-1N	BE1-TV	SFC703PW		PL17-INV
SE400RW	K1M-N	BE1-TCV	SFC703RW	P17-0-1N1	PL17-TCVIN
SE420RW	K1MW2-N	BE1-TCVW	SFC800PW		PL17-8V
SE400BP		BE11-VCM	STC700PK	P27	PL27-V
SE400BW		BE11-11/4V	STC703PK	P27-1N2	PL27-INV
SH400JW	S1-N1-1/4	BA3-11/4V	STC700RK		PL27-TCV
SH400PW	S1-N	BA3-TCV	STC703RK		PL27-IN-TCV
SH400BW	S12-N1-1/4	BA33-11/4V	CTS130PW	TSU13	CT113
SH400BP	S12-N	BA33-V	CTS400PW	TCC4	CT104
SH400KO	S11-N	BA4-V	CTS409PW	TCC4-0	CL4-V
SH400TW	-	BA3-TV	CTS459PW	TCC5-0	CL5-V
H22R	2K2	BD2-V	CTS500PW	TSU5	CT105
H23R	3K2	BD3-V	CTS800PW	TSU8	CTS108
H24R	4K2	BD4-V	JA220PW		CO12
HC42R	2K4	BS42-V	JA220P-B		CO12-100
HC43R	3K4	BS43-V	JA220P-HI		CO12-100HI
HC44R	4K4	BS44-V	JAU220PW		
HC45R	5K4	BS45-V	JAU220P-B		
HC46R	6K4	BS46-V	JAU220P-HI		CO12-100HI-U

# Meter Sockets

## CROSS REFERENCE LIST



HYDEL	EATON CUTLER HAMMER	THOMAS & BETTS MICRO ELECTRIC
JA320PW		CO13
JA320P-B		CO13-100
JA320P-HI		CO13-100HI
JAU320PW		
JAU320P-B		
JAU320P-HI		CO13-100HI-U
JA420PW		CO14
JA420P-B		CO14-100
JA420P-HI		CO14-100HI
JAU420PW		
JAU420P-B		
JAU420P-HI		CO14-100HI-U
CT4-4	TCC5-4	JS4A
CT4-TS	TCC5-4-TS	JS4B
CT4-TSHO		JS4B-TLHO
JA000PW	RC1N	CO1
JA400RW	RC1-2200	CO1-G
JA402P	RC2-2200	CO2-200
MCC220TW	2KNU1CLX	BEC2-V
MCC320TW	3KNU1CLX	BEC3-V
MCC420TW	4KNU1CLX	BEC4-V
MCC520TW	5KNU1CLX	BEC5-V
MCC620TW	6KNU1CLX	BEC6-V
MSC22R	2KU2CLX	BDC2-V
MSC23R	3KU2CLX	BDC3-V
MSC24R	4KU2CLX	BDC4-V

\*\* ADD SUFFIX ""NS"" TO ALL METER SOCKETS USED IN NOVA SCOTIA"

\*\* ADD SUFFIX ""BC"" TO ALL METER SOCKETS USED IN BRITISH COLUMBIA"



# Custom Enclosures

## ONTARIO HYDRO / SCARBOROUGH ENCLOSURES

**Ontario Hydro  
Meter Cabinet**



CATALOGUE #	WEIGHT	ENCLOSURE SIZE H X W X D
74820585	44 lbs.	24" x 16" x 10"

**Milk Box**  
*Used to enclose  
Meter Socket  
recessed in wall*

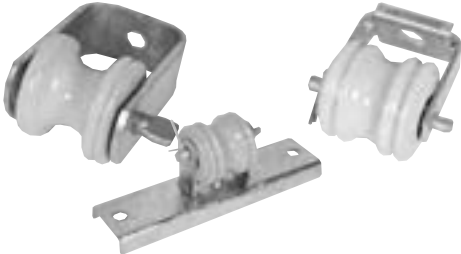
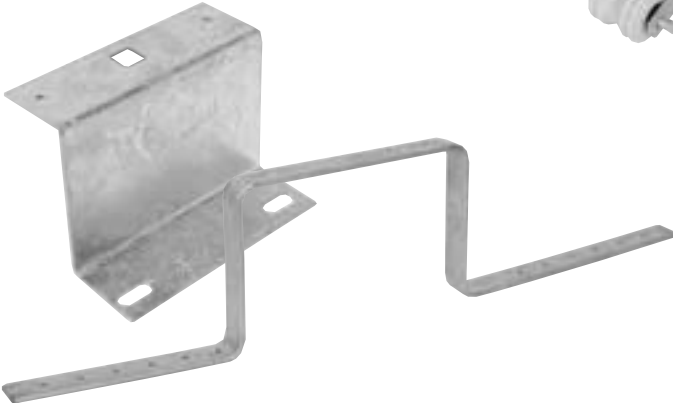
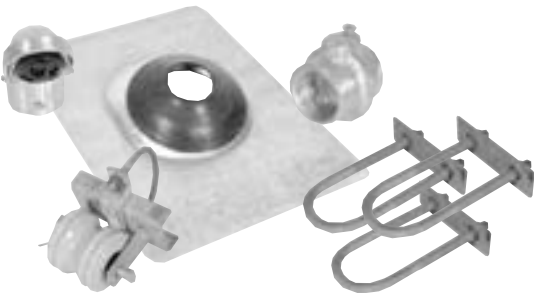
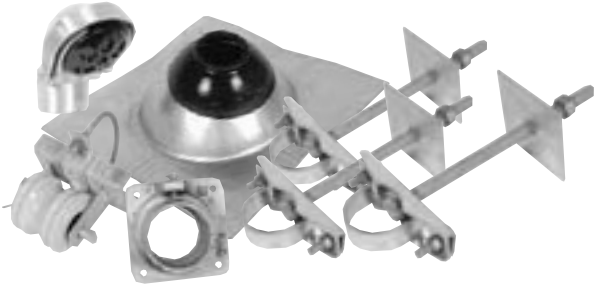


CATALOGUE #	WEIGHT	ENCLOSURE SIZE H X W X D
<b>ST301812SC</b> Cover Size	60 lbs.	30" x 18" x 12" 33 <sup>1</sup> / <sub>4</sub> " x 21 <sup>1</sup> / <sub>8</sub> "
<b>ST301412SC</b> Cover Size	55 lbs.	30" x 14" x 12" 31" x 15"

# Mast and Accesories



MAST AND ACCESSORIES



**MAST AND ACCESSORIES**

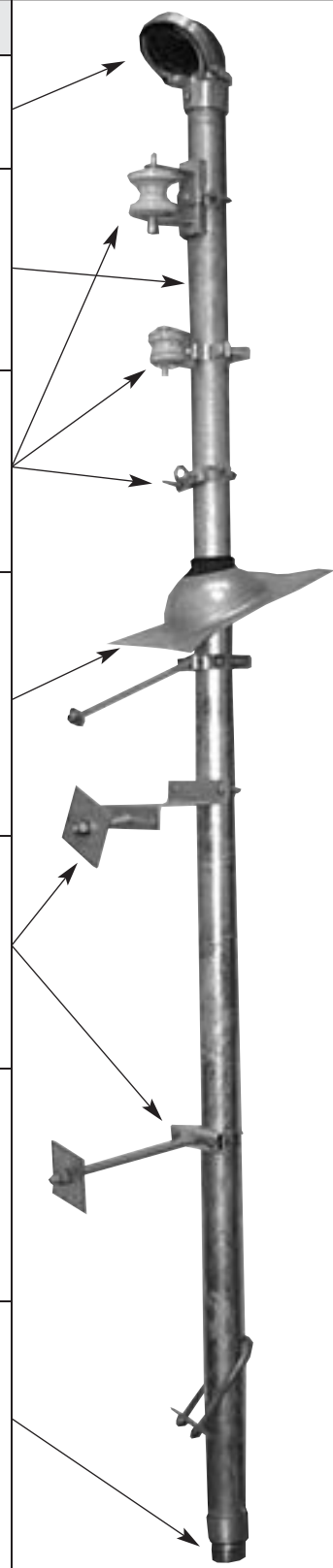


# 2 1/2" Bungalow Service

## ENTRANCE STACKS & ACCESSORIES

MAST AND ACCESSORIES

CATALOGUE #	DESCRIPTION
<b>2521</b> <b>2521-1-1/2</b> <b>2521-2</b>	100 Amp entrance cap - completely weatherproof As 2521 but with insert for 200 Amp or 150 Amp service 2" Cap for 200 Amp service
<b>2508</b> <b>2509</b> <b>2510</b> <b>2512</b> <b>2513SM</b>	Service Entrance Masts - 2 1/2" O.D. 8 Ft. Service Entrance Mast 9 Ft. Service Entrance Mast 10 Ft. Service Entrance Mast 12 Ft. Service Entrance Mast 13 Ft. Service Entrance Mast
<b>25C</b> <b>2515</b> <b>2517U</b> <b>2518U</b> <b>417U</b> <b>2513</b>	Service mast ground clamp Guy attachment with eye bolt 200 Amp heavy duty triplex cable rack 100 Amp light duty triplex cable rack Oversize Cable Rack for 3" Pipe Guy attachment with hook
<b>2506B</b>  <b>2506</b> <b>2506NB</b> <b>2506N2</b> <b>2526NB</b> <b>2526N</b> <b>2506-3</b>	Weatherproof Roof Flange c/w Steel Collar (No longer available - Substitute 2526NB) Complete with undereave flashing All neoprene roof flange - one piece construction Neoprene Collar only Steel roof flange with neoprene collar - 2 piece construction As 2526NB but c/w undereave flashing Undereave flashing only
<b>2014U</b> <b>2504</b>  <b>2505</b> <b>2504-6</b> <b>2504-12</b> <b>2504LB</b>	Clamp - 1/2" diameter Clamp assembly for mounting stack on brick, concrete block, etc. Complete with 4" x 4" galvanized washer and 5/8" x 10" bolt As above with 5/8" x 4 1/2" bolt std. thread for wood frame As above with 5/8" x 6" bolt std. thread As above with 5/8" x 12" bolt As above less thru bolt & washer
<b>2507-5/8</b>  <b>506-5/8</b> <b>506</b> <b>5061</b> <b>2516</b> <b>2516L</b>	Meter spacer c/w pipe strap. c/w 5/8" x 4 1/2" Carrige bolt and 4" x 4" Washer As above less stack clamp Meter spacer only (Z plate) Meter spacer (top hat) Stack clamp for surface mounting Same as above but c/w 3 lag screws 3/8" x 3"
<b>2501</b> <b>2525</b> <b>2550</b> <b>2502</b> <b>2502MS</b>	Add "M" to catalogue # (eg. 2501-M) for male thread. 1" Bottom Reducer 1 1/4" Bottom Reducer 1 1/2" Bottom Reducer 2" Bottom Reducer 2" Reducer Offset (Special)




# 2 1/2" Bungalow Service

## ENTRANCE STACKS & ACCESSORIES




MAST AND ACCESSORIES

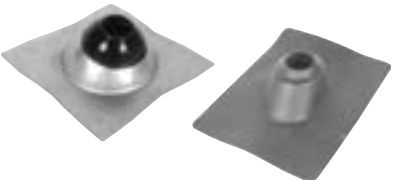
### Service Entrance Top Cap

CATALOGUE #	DESCRIPTION	
2521 2521-2	1 1/4" entrance cap, 100 Amp, completely weatherproof. Extra large (-2) cap for 200 Amp service	

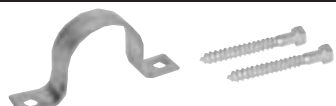
### Triplex Cable Rack

CATALOGUE #	DESCRIPTION	
2517U 2518U 417U	200 Amp spool rack - heavy duty, c/w insulator 100 Amp spool rack - light duty, c/w insulator 400 Amp spool rack - oversize 3" to 4" pipe	
2513 2515 25C	Drop wire hook bracket Guy attachment with eye bolt Mast ground clamp #8 - 1/0	

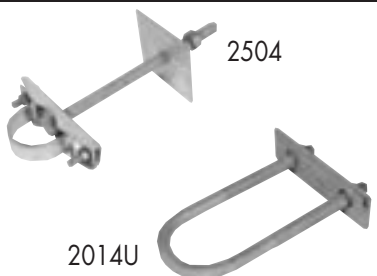
### Weatherproof Roof Flange - Adjustable to Roof Pitch

CATALOGUE #	DESCRIPTION	
2506 2506NB 2526NB 2506N 2506-3 2506N2	Complete with undereave flashing & rubber collar All neoprene roof flange - One piece construction Steel roof flange with neoprene collar - two peice const. As 2526NB but c/w undereave flashing Undereave flashing only Neoprene collar only	

### Stack Clamp for Surface Mounting

CATALOGUE #	DESCRIPTION	
2516 2516L 2516L-4	Stack clamp for surface mounting Same as above but complete with 2 lag screws 3/8" x 3" As above c/w 3/8" x 4" Lags	

### Thru Bolt Stack Clamp

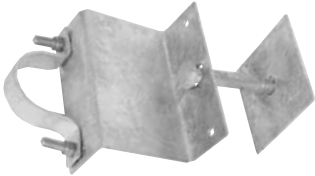
CATALOGUE #	DESCRIPTION	
2504 2504-6 2504-12 2504LB 2505 2014U	Clamp assembly for mounting stack on brick, concrete block, etc. Complete with 4" x 4" galvanized washer and 5/8" 10 bolt with 8" of thread As above but with 6" bolt As above but with 12" bolt As above less thru bolt and washer As above but with 5/8" x 4 1/2" bolt, std. thread for wood frame wall U-bolt rafter clamp 1/2"	



# 2 1/2" Bungalow Service

## ENTRANCE STACKS & ACCESSORIES

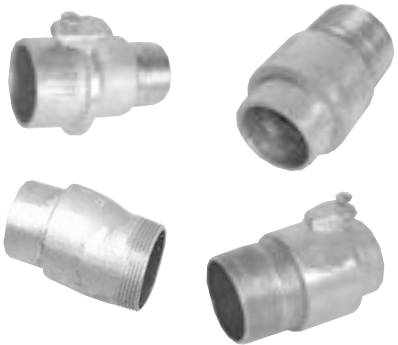
### Brick Spacer Clamp

CATALOGUE #	DESCRIPTION	
2507-5/8	Permits installation of complete service entrance stack before building is bricked. May be used to hold any size conduit by changing pipe strap. Complete with 5/8" x 4 1/2" galvanized bolt and 4" x 4" washer.	
506-5/8	Same as above less stack clamp. Simplifies mounting meter socket on walls before bricking.	

### Service Entrance Mast

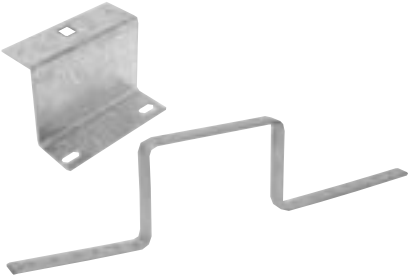
CATALOGUE #	DESCRIPTION	
2508	2 1/2" O.D. high tensile steel tubing triple galvanized, rustproof	
2509	8 ft.	
2510	9 ft.	
2512	10 ft.	
2513SM	12 ft.	

### Bottom Reducer

CATALOGUE #	DESCRIPTION	
2501M	Male and Female Combination	
2525M	1"	
2550M	1 1/4"	
2502M	1 1/2"	
2502M	2"	
2502MS	2" Offset (Male only)	

• **Note:** Can all be used as female by removing close nipple

### Brick Spacers

CATALOGUE #	DESCRIPTION	
5061	Brick spacer (galv.) - top hat style	
5061M	Used for metric brick - 4" depth	
506	Meter socket spacer - Z plate style	
506M	used for metric brick - 4" depth	



# Mast Kit

## ONTARIO



MAST AND ACCESSORIES

To make the kit contents correspond to the catalogue number, we have developed a system of 7 digits consisting of 3 figures and 4 letters as follows:

Number and letter sequence is from the top of the mast to the bottom of the mast - for instance, the reducer is the bottom item and the last digit that identifies it is (M or F).

These 7 digits completely describe the mast kits. This will make them somewhat easier to identify.

- **AMPERAGE 1 or 2 (100 or 200)**
- **PIECE ROOF FLANGE (1 or 2)**
- **CLAMPS (2 or 3)**
- **RACK H (heavy duty) or L (light duty)**
- **ROOF FLANGE N (neoprene)**
- **CLAMP T (thru bolt) or S (strap)**
- **REDUCER M (male) or F (female)**

CATALOGUE #	DESCRIPTION	
<b>123LNSM</b>	100 Amp <b>(Manitoba and Saskatchewan)</b> Contains: 1 - 2521 Entrance cap 1 - 2518U Light duty rack 1 - 2526NB Roof flange c/w neoprene collar 2 Pc. 3 - 2516L Straps c/w lags 1 - 2525M Male/female reducer 2 Pc., 1 1/4"	
<b>123LNTMC</b>	100 Amp Contains: 1 - 2521 Entrance cap 1 - 2518U Light duty spool rack 1 - 2526NB Roof flange c/w neoprene collar 3 - 2504 thru bolt (10 inch) clamp 1 - MC200 Mast coupler	
<b>123LNTFM</b>	100 Amp Contains: 1 - 2521 Entrance cap 1 - 2518U Light duty spool rack 1 - 2526NB Roof flange c/w neoprene collar 3 - 2504 thru bolt (10 inch) clamp 1 - 2525M Male/female reducer, 1 1/4"	
<b>223HNSM</b>	200 Amp <b>(Manitoba and Saskatchewan)</b> Contains: 1 - 2521-2 Entrance cap 1 - 2517U Heavy duty spool rack 1 - 2526NB Roof Flange c/w collar 2 pc. 3 - 2516L Straps c/w lags 1 - 2502M Male/female reducer 2 pc., 2"	
<b>223HNTFM</b>	200Amp Contains: 1 - 2521-2 Entrance Cap 1 - 2517U Heavy duty spool rack 1 - 2526NB Roof flange c/w neoprene collar 3 - 2504 thru bolt (10 inch) clamp 1 - 2502M Male/female reducer 2"	
<b>223HNTWMC</b>	200Amp <b>(Manitoba and Saskatchewan)</b> Contains: 1 - 2521-2 Entrance Cap 1 - 2517U Heavy duty spool rack 1 - 2526NB Roof flange c/w neoprene collar 3 - 2504 thru bolt (10 inch) clamp 1 - MC200 Mast coupler	



# Mast Kit

## NEW BRUNSWICK & NOVA SCOTIA

MAST AND ACCESSORIES

CATALOGUE #	DESCRIPTION	
<b>123NSM</b>	100 Amp <b>(New Brunswick &amp; Nova Scotia)</b> Contains: 1 - 2521 Entrance cap 1 - 2526NB Roof flange c/w neoprene collar 1 - 2525M Male reducer 2 pc. 3 - 2516L Straps with lag bolts (No Rack)	
<b>223NSM</b>	200 Amp <b>(New Brunswick &amp; Nova Scotia)</b> Contains: 1 - 2521-2 Entrance Cap 1 - 2526NB Roof Flange c/w neoprene collar 1 - 2502M Male reducer 3 - 2516L Straps with lag bolts (No Rack)	
<b>123LNSM</b>	100 Amp <b>(Nova Scotia)</b> Contains: 1 - 2521 Entrance Cap 1 - 2518U Light Duty Rack 1 - 2526NB Roof flange c/w neoprene collar 1 - 2525M Male reducer 2 pc. 3 - 2516L Straps with lag bolts	
<b>223LNSM</b>	200 Amp <b>(Nova Scotia)</b> Contains: 1 - 2521-2 Entrance Cap 1 - 2517U Heavy Duty Rack 1 - 2526NB Roof flange c/w neoprene collar 2 pc. 1 - 2502M Reducer (male) 3 - 2516L Straps with lag Bolts	
<b>123NSWMC</b>	100 Amp <b>(New Brunswick)</b> Contains: 1 - 2521 Entrance Cap 1 - 2526NB Roof flange c/w neoprene collar 3 - 2516L Straps with lag bolts 1 - MC200 Mast coupler (No Rack)	
<b>223NSWMC</b>	200 Amp <b>(New Brunswick)</b> Contains: 1 - 2521-2 Entrance Cap 1 - 2526NB Roof flange c/w neoprene collar 3 - 2516L Straps with lag bolts 1 - MC200 Mast coupler (No Rack)	
<b>213NSWMC</b>	200 Amp <b>(New Brunswick)</b> Contains: 1 - 2521-2 Entrance cap 1 - 2506NB Roof flange - all neopr. (1pc. constr.) 3 - 2516L Straps with lag bolts 1 - MC200 Mast coupler (No Rack)	

# Mast Kit

## NEWFOUNDLAND



MAST AND ACCESSORIES

CATALOGUE #	DESCRIPTION	
<b>123LNSWMC</b>	100 Amp <b>(Manitoba and Saskatchewan)</b> Contains: 1 - 2521 Entrance cap 1 - 2518U Light duty rack 1 - 2526NB Roof flange c/w neoprene collar 3 - 2516L Straps with lag bolts 1 - MC200 Mast coupler	
<b>223LNSWMC</b>	200 Amp Contains: 1 - 2521-2 Entrance Cap 1 - 2517U Heavy duty rack 1 - 2526NB Roof flange c/w neoprene collar 3 - 2516L Straps with lag bolts 1 - MC200 Mast coupler	
<b>113NSWMC</b>	100 Amp Contains: 1 - 2521 Entrance cap 1 - 2506NB Roof flange - all neopr. (1pc. constr.) 3 - 2516L Straps with lag bolts 1 - MC200 Mast coupler	

## BRITISH COLUMBIA

CATALOGUE #	DESCRIPTION	
<b>2500UR</b>	100 Amp Contains: 1 - 2521 Entrance cap 1 - 2506NC-2 Roof flange 3 - 2014U Mast clamps 1 - 2525 Reducing adapter 1 - 2517U Heavy duty rack	
<b>2500200UR</b>	200 Amp Contains: 1 - 2521-2 Entrance Cap 1 - 2506NC2 Roof flange 3 - 2014U Mast clamps 1 - 2502 Reducing adapter 1 - 2517U Heavy duty rack	
<b>2500MCR</b>	100Amp. Contains: 1 - 2521 Entrance Cap 1 - 2506NC2 Roof flange 3 - 2014U Mast clamps 1 - 2518U Light duty rack 1 - MC200 Mast coupler	
<b>2500200MCR</b>	200 Amp Contains: 1 - 2521-2 Entrance Cap 1 - 2506NC2 Roof flange 3 - 2014U Mast clamps 1 - 2517U Heavy duty rack 1 - MC200 Mast coupler	



# Mast Kit

## ALBERTA

MAST AND ACCESSORIES

CATALOGUE #	DESCRIPTION	
4000N	Service Entrance Kits (1 1/4") Contains: 1 - 4001 Entrance cap 1 - 4006N Roof flange 2 - 4214 Stack clamps 1 - 4218 Triple cable rack	
2000N	Service Entrance Kits (2") Contains: 1 - 2015 Entrance cap 1 - 2006N Roof flange 2 - 4214 Stack clamps 1 - 4218 Triple cable rack 1 - 2025M Reducer to 1 1/4"	

## QUEBEC

CATALOGUE #	DESCRIPTION	
200SF	200A avec accouplement de mât. <b>(Manitoba and Saskatchewan also)</b> Les pièces suivantes sont incluses : 1 - 2521-2 capuchon d'entrée 200A 1 - 2517-U support de bobine service robuste 1 - 2526-NB ensemble pour toiture, collet néoprene 3 - 2516L-4 courroie avec 3 tire-fonds 3/8 x 4" 1 - MC200S accouplement de mât avec écrou	
200MA	200A avec adaptateur mâle. Les pièces suivantes sont incluses : 1 - 2521-2 capuchon d'entrée 200A 1 - 2517-U support de bobine service robuste 1 - 2526-NB ensemble pour toiture, collet néoprene 3 - 2516L-4 courroie avec 3 tire-fonds 3/8 x 4" 1 - 2502MS adaptateur mâle avec écrou - 2"	
100MA	100A avec adaptateur mâle. Les pièces suivantes sont incluses : 1 - 2521 capuchon d'entrée 100A 1 - 2518-U support de bobine service robuste 1 - 2526-NB ensemble pour toiture, collet néoprene 3 - 2516L-4 courroie avec 3 tire-fonds 3/8 x 4" 1 - 2525MS adaptateur mâle avec écrou - 1-1/4"	
100SF	100A avec accouplement de mât. Les pièces suivantes sont incluses : 1 - 2521 capuchon d'entrée 100A 1 - 2518-U support de bobine service robuste 1 - 2526-NB ensemble pour toiture, collet néoprene 3 - 2516L-4 courroie avec 3 tire-fonds 3/8 x 4" 1 - MC200S accouplement de mât avec écrou.	

# Wall Racks



**MAST AND ACCESSORIES**

CATALOGUE #	DESCRIPTION	
217U	Flat Mount Clevis 200Amp. Heavy Duty Dead End Cable Anchor	
222R	Flat Mount Clevis 100 Amp Light Duty Dead End Cable Anchor c/w 5/8 Mounting Holes	
117	Flat Mount 200 Amp Heavy Duty Triplex Cable Rack	
122	Flat Mount 100 Amp Light Duty Triplex Cable Rack	
214CLB	Swivel Clevis (less insulator) Mainly used in Atlantic, Canada	
214S	Swivel Clevis c/w 1606 WSP Spool Insulator 11/16 Mounting Hole	

# Mast Guy Kits

CATALOGUE #	DESCRIPTION	WEIGHT	
25516GK	<b>ONTARIO</b> Mast Guying Kit Contents in one carton: 1-2515 Mast guy clamp 2-516GT Guy thimbles 1-2514GE Guy grip 1-20 ft. Coil of 1/4" guy wire 1-212GU Guy clamp 1-1258BTE 5/8 x 12 Bent thimble c/w washer	7 lbs.	
2514GK	<b>OUTSIDE ONTARIO</b> 1/4" Mast Guying Kit 6 lbs. Contents in one carton: 1-2515 Mast guy clamp 2-516GT Guy Thimbles 1-2514GE Guy grip 1-20 ft. Coil of 1/4" guy wire 1-212GU Guy clamp 1-14GK Roof bracket 1-412LG 1/2" x 4"		



# ***Commercial Enclosures***

---



**COMMERCIAL ENCLOSURES**

**COMMERCIAL ENCLOSURES**

# Commercial Enclosures



## SPLITTER TROUGHS NEMA 1

### Splitter Troughs 600V Maximum

CATALOGUE #		MAINS LUGS		BRANCH LUGS				DIMENSIONS			SHIP. WT. LBS.
3-WIRE	4 WIRE	AMP CU-AL	WIRE RANGE	MAX. AMP.		WIRE RANGE	QTY	INCHES			
				CU	AL			L	W	D	
ST213 ST313 ST413 ST513 ST613	ST214 ST314 ST414 ST514 ST614	125	14-2/0	110	85	14-1	6	24 36 48 60 72	6	4	13 17 20 25 30
ST223 ST323 ST423 ST523 ST623	- ST324 ST424 ST524 ST624	225	6-300 MCM	175	135	14-2/0	6	24 36 48 60 72	8	5	21 26 36 42 48
ST343 ST443 ST543 ST643	- ST444 ST544 ST644	400	Two 1/0 - 250 MCM One 3/0 - 600 MCM	175	135	6-3/0	6	36 48 60 72	10	6	43 54 65 77
ST563 ST663	ST564 ST664	600	Four 1/0 - 250 MCM Two 3/0 - 600 MCM	175	135	6 - 3/0	6	60 72	11	7	67 79

- Empty troughs available upon request
- See page 55 for splitter blocks



COMMERCIAL ENCLOSURES



# Commercial Enclosures

## SPLITTER BOXES 600V & NEMA 3

CATALOGUE #		MAINS LUGS		BRANCH LUGS				DIMENSIONS			SHIP. WT. LBS.
3-WIRE	4 WIRE	AMP CU-AL	WIRE RANGE	MAX. AMP.		WIRE RANGE	QTY	INCHES			
				CU	AL			L	W	D	
<b>SB013</b>	<b>SB014</b>	125	14-2/0	110	85	14-1	3	12	12	4	9
<b>SB023</b>	<b>SB024</b>	225	6-300 MCM	175	135	14-2/0	3	16	16	5	16
<b>SB043</b>	<b>SB044</b>	400	One 3/0 - 600 MCM Two 1/0 - 250 MCM	285	230	6-350 MCM	2	22	22	6	44
<b>SB063</b>	<b>SB064</b>	600	Two 3/0 - 600 MCM	510	410	3/0-600 MCM	2	26	25	7	58

Available in Nema 3 enclosures upon request

- See page 55 for splitter blocks

### EEMAC/NEMA 3 Cabinets

Raintight construction

- Slip on cover from stock
- Screw-on cover with gasket, add "SOC" to catalogue number upon request

CATALOGUE #	DIMENSIONS
<b>STR644</b>	6" x 4" x 4"
<b>STR664</b>	6" x 6" x 4"
<b>STR884</b>	8" x 8" x 4"
<b>STR10104</b>	10" x 10" x 4"
<b>STR12124</b>	12" x 12" x 4"
<b>STR12126</b>	12" x 12" x 6"
<b>STR18126</b>	18" x 12" x 6"
<b>STR18186</b>	18" x 18" x 6"
<b>STR24186</b>	24" x 18" x 6"

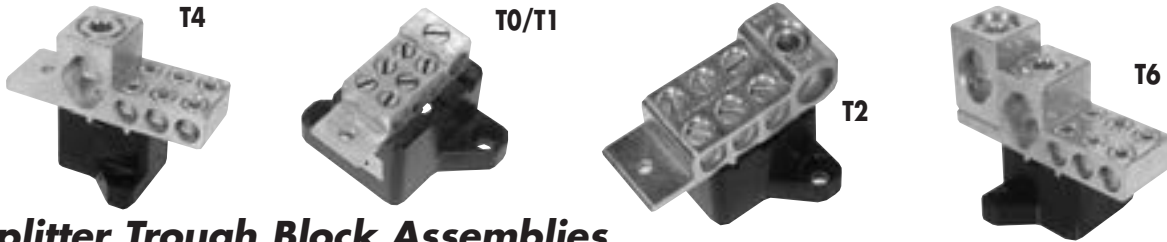




# Commercial Enclosures



## SPLITTER BLOCKS



### Splitter Trough Block Assemblies

CATALOGUE #	BLOCKS	MAX./MIN. WIRE CAPACITY	BRANCHES		MAX./MIN. WIRE CAPACITY	SHIPPING WT.
			QTY	AMP		
<b>T0</b>	85	1 - 14	6	6/40	6 X (6 - 14)	1.0
<b>T1</b>	125	2/0 - 14	6	6/85	6 X (1 - 14)	1.0
<b>T2</b>	225	300* - 6	6	6/135	6 X (2/0 - 14)	1.2
<b>T4</b>	400	600* - 3/0 or 2 X (250* - 1/0)	6	6/135	6 X (3/0 - 6)	2.5
<b>T6</b>	600	2 X (600* - 3.0) 4 x (250* - 1/0)	6	6/135	6 X 3/0 - 6)	3.0

### Application

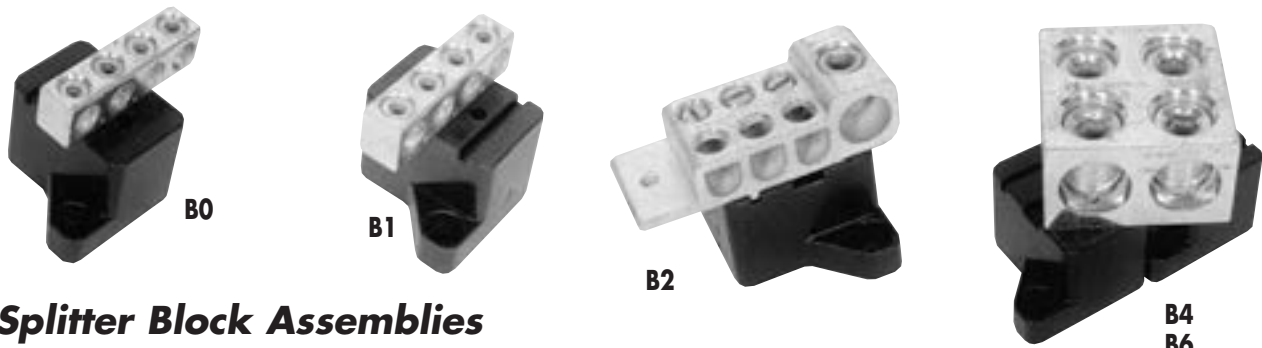
These blocks are used in our standard splitters. They can be used for tapping branch circuits off feeders. All blocks are rated 600V.

### Construction

- Cu-Al monopiece connectors secured to insulators
- Each block includes a main lug and branch lugs

### On Special Order

- Copper connectors (Cu)
- Copper bars (Cu)



### Splitter Block Assemblies

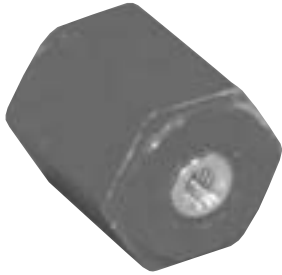
CATALOGUE #	MAINS AMPS	MAX./MIN. WIRE CAPACITY	BRANCHES		MAX./MIN. WIRE CAPACITY	SHIPPING WT.
			QTY	AMP		
<b>B0</b>	85	1 - 14	3	3/40	3 X (6 - 14)	0.8
<b>B1</b>	125	2/0 - 14	3	3/85	3 X (2/0 - 14)	0.8
<b>B2</b>	225	300* - 6	3	3/35	3 X (2/0 - 14)	1
<b>B4</b>	400	1 X (600* - 3/0) 2 X (250* - 1/0)	2	2/230	2 X (350* - 6)	2
<b>B6</b>	600	2 X (600* - 3.0)	2	2/410	2 X (600* - 3/0)	3

COMMERCIAL ENCLOSURES



# Commercial Enclosures

## STANDOFF INSULATORS



XGENP0007



XGENH0001



XGENH0005

CATALOGUE #	HEIGHT INCHES	DIAM. INCHES	RATED VOLTAGE	THREAD SIZE	TENSILE STRENGTH	CANTILEVER STRENGTH	COMPRESSION STRENGTH	WT. LBS
XGENP0007	1.250	1.000	600	1/4-20 x 1/4 deep	1000	400	8000	
XGENH0001	1.375	1.750	600	3/8-16 x 3/4 deep	2000	1500	20000	
XGENH0005	6.000	3.750	15000	3/8-16 x 3/4 deep	7500	1150	20000	

### Fiberglass Reinforced Polyester Insulators

- Red colour
- Aluminum insert
- Specific voltage rating available on request

COMMERCIAL ENCLOSURES

# Commercial Enclosures



## METER CABINETS

### Meter Cabinets

#### Coil or Transformer Cabinets

- Standard stock cabinets with hinged doors.
- Supplied with pull catch and provision for padlocking.
- Knockouts standard.
- Grey enamel finish.
- Removable backplate standard.
- Special sizes available on request.

CATALOGUE #	DIMENSIONS H X W X D	KO'S	DOOR
MC271310	27" x 13" x 10"	1 1/2 / 2 / 2 1/2	Single
MC202010	20" x 20" x 10"	1 1/2 / 2 / 2 1/2	Single
MC302010	30" x 20" x 10"	1 1/2 / 2 / 2 1/2	Single
MC242410	24" x 24" x 10"	2 1/2 / 3	Single
MC303010	30" x 30" x 10"	2 1/2 / 3	Double
MC363612	36" x 36" x 12"	3 / 3 1/2	Double
MC484812	48" x 48" x 12"	3 / 3 1/2	Double



### EEMAC/NEMA 3 Metering Cabinets

Rugged raintight construction.

- Vault handle.
- 3 Point Catch.
- Provision for padlocking.
- Formed heavy backplate.
- Gasketed.
- Dripshield installed.

CATALOGUE #	DIMENSIONS H X W X D	DOOR
3ST202010	20" x 20" x 10"	Single
3ST271310	27" x 13" x 10"	Single
3ST302010	30" x 20" x 10"	Single
3ST303010	30" x 30" x 10"	Double
3ST363612	36" x 36" x 12"	Double
3ST484812	48" x 48" x 12"	Double



NOTE: Hydel manufactures a variety of cabinetry for all applications, in all sizes. Contact our sales office for quotations to meet your requirements.



# Commercial Enclosures

## SPLITTER BUSBAR TROUGHS CUSTOM MADE NEMA 1



### Application

General purpose enclosure designed for indoor distribution. Plenty of wiring space and connection flexibility. Constructed of 12 gauge

- Padlockable cover, Hinged cover
- Available with aluminum or copper bus bars

### How to Order:

Example - BBT800AL6F3W

BBT - Bus bar trough

800 - Current rating

AL - Aluminum / CU - Copper

6F - Length of trough in feet

3W - 3 wire / 4W - 4 wire

- All lug requirements must be specified, add suffix "L" to part number if required

MAINS CAPACITY AMP	TROUGH DIMENSIONS			
	3 WIRE		4 WIRE	
	H	D	H	D
225	19	7	19	7
400	19	7	21	7
600	19	7	21	7
800	19	7	23	8
1000	23	8	27	8
1200	23	8	27	8
1600	23	8	27	8
2000	25	10	30	10
2500	25	10	30	10

### Technical Readout

CATALOGUE AMPERAGE	WIDTH INCHES	DEPTH INCHES	LENGTH (X) IN FEET									
			3	4	5	6	7	8	9	10	11	12
			WEIGHT IN LBS.									
<b>225-3</b>	13	5	36	46	57	66	76	117	131	—	—	—
<b>400-3</b>	19	7	63	102	124	142	164	192	214	242	—	—
<b>600-3</b>	19	7	74	120	147	167	193	226	252	285	306	332
<b>800-3</b>	19	7	74	120	147	167	193	226	252	285	306	332
<b>1000-3</b>	23	8	—	—	188	211	247	288	324	365	389	424
<b>1200-3</b>	23	8	—	—	188	211	247	288	324	365	389	424
<b>1600-3</b>	23	8	—	—	—	235	277	324	365	413	436	423
<b>2000-3</b>	25	10	—	—	—	313	332	389	439	501	522	572
<b>2500-3</b>	25	10	—	—	—	398	472	468	536	598	626	686
<b>225-4</b>	16	5	44	54	66	79	90	108	120	—	—	—
<b>400-4</b>	19	7	73	120	145	171	192	234	264	291	—	—
<b>600-4</b>	21	7	93	150	184	217	242	282	315	348	373	406
<b>800-4</b>	23	8	93	150	184	217	242	282	315	348	373	406
<b>1000-4</b>	27	8	—	—	234	277	305	237	402	453	481	525
<b>1200-4</b>	27	8	—	—	234	277	305	237	402	453	481	525
<b>1600-4</b>	27	8	—	—	—	317	345	406	457	517	445	597
<b>2000-4</b>	30	10	—	—	—	438	477	557	622	708	748	819
<b>2500-4</b>	30	10	—	—	—	524	569	662	748	842	887	974

# Commercial Enclosures

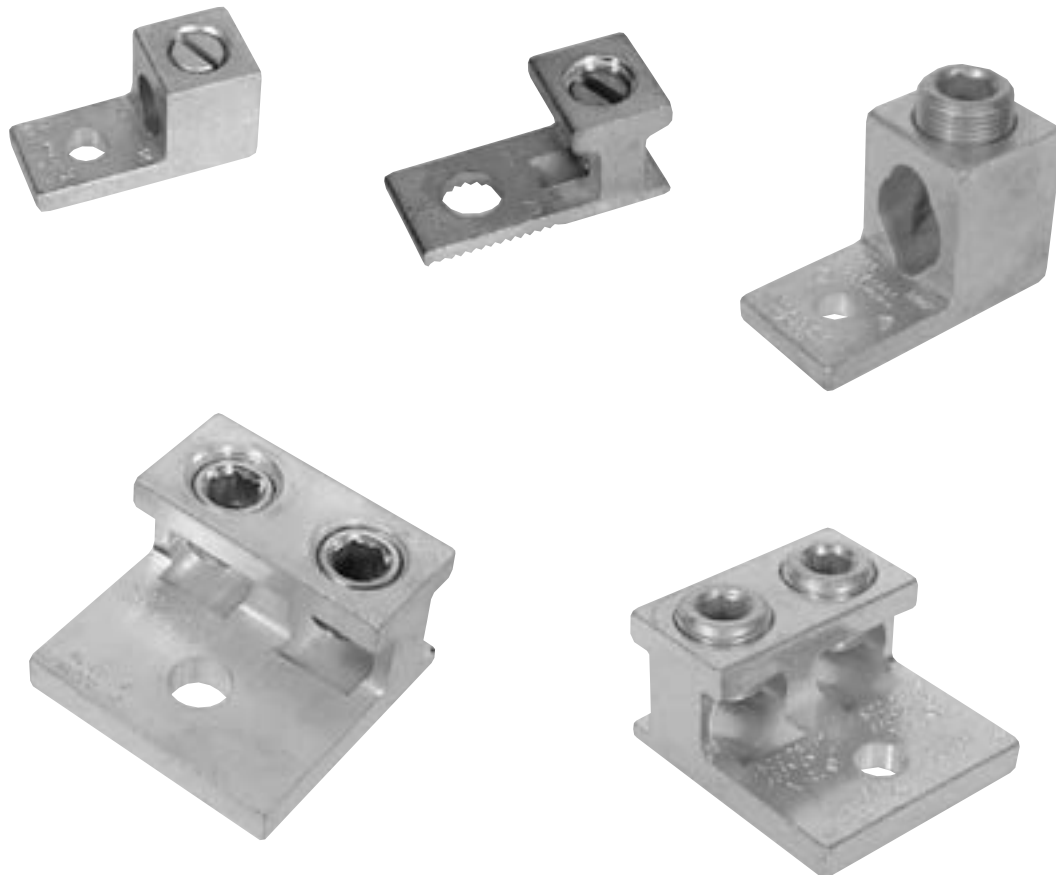


## SPLITTER BUSBAR TROUGH CONNECTORS

### Main and Branch Lugs for Custom Busbar Troughs

NOMINAL CAPACITY	SINGLE LUG		DOUBLE LUG		TRIPLE LUG		QUADRUPLE LUG	
	CAT. #	CAPACITY MIN - MAX	CAT. #	CAPACITY MIN - MAX	CAT. #	CAPACITY MIN - MAX	CAT. #	CAPACITY MIN - MAX
35 Amps	<b>35S</b>	14 - 4	—	—	—	—	—	—
70 Amps	<b>70S</b>	14 - 2	—	—	—	—	—	—
125 Amps	<b>125S</b>	14 - 2/0	—	—	—	—	—	—
225 Amps	<b>225S</b>	6 - *300	—	—	—	—	—	—
400 Amps	<b>400S</b>	4 - *500	<b>400D</b>	6 - *250	—	—	—	—
600 Amps	<b>600S</b>	2 - *600	<b>600D</b>	6 - *350	<b>600T</b>	6 - *250	—	—
800 Amps	<b>800S</b>	*300 - *800	<b>800D</b>	2 - *600	<b>800T</b>	6 - *350	—	—
1000 Amps	<b>1000S</b>	*500 - *1000	<b>1000D</b>	*300 - *800	<b>1000T</b>	2 - *600	—	—
1200 Amps	—	—	<b>1200D</b>	*500 - *1000	<b>1200T</b>	2 - *600	—	—
1600 Amps	—	—	—	—	<b>1600T</b>	*300 - *800	—	—
2000 Amps	—	—	—	—	—	—	<b>2000Q</b>	6 - *350
2400 Amps	—	—	—	—	—	—	<b>2400Q</b>	2 - *600
3000 Amps	—	—	—	—	—	—	<b>3000Q</b>	*300 - *800

MCM \* Nominal Capacity for certain cable type only. Basic price guide only. Copper lug price on request.



COMMERCIAL ENCLOSURES



# Commercial Enclosures

## NEMA 1 ENCLOSURES

### Quality Enclosures

#### EEMAC/NEMA Enclosures CSA Enclosure 1

##### Features

- Heavy duty 14 ga. spot welded construction.
- Backplates included.
- External mounting devices.
- Grey enamel finish.
- Hinged door.
- Provision for locking or sealing.

##### Application

General purpose indoor application. Quality enclosure for electrical controls or instrumentation.

CATALOGUE #				DIMENSIONS	
7" DEPTH	9" DEPTH	12" DEPTH	16" DEPTH	H X W	PANEL SIZE
IST16127	—	—	—	16" x 12"	14" x 10"
IST20167	—	—	—	20" x 16"	18" x 14"
IST20207	—	—	—	20" x 20"	18" x 18"
IST24207	IST24209	—	—	24" x 20"	22" x 18"
IST24247	IST24249	—	—	24" x 24"	22" x 22"
IST30207	IST30209	—	—	30" x 20"	28" x 28"
IST30247	IST30249	IST302412	—	30" x 24"	28" x 22"
IST36247	IST36249	IST362412	IST362416	36" x 24"	34" x 22"
—	IST36309	IST363012	IST363016	36" x 30"	34" x 28"
—	IST42249	IST422412	IST422416	42" x 24"	40" x 22"
—	—	IST423012	IST423016	42" x 30"	40" x 28"
—	—	IST423612	IST423616	42" x 36"	40" x 34"
—	—	IST483612	IST483616	48" x 36"	46" x 34"



COMMERCIAL ENCLOSURES

# ***Industrial Enclosures***



**INDUSTRIAL  
ENCLOSURES**

**INDUSTRIAL ENCLOSURES**



# Industrial Enclosures

## WIRING TROUGHS

### EEMAC/NEMA 3 Wiring Troughs

Raintight Construction

- Splitter blocks mounted on standoffs
- Provision for sealing
- Drain hole provided



CATALOGUE #	DESCRIPTION			DIMENSIONS
	4TH WIRE	AMP.	LENGTH	
<b>3ST22253</b>	—	225	24"	8" x 4-1/2"
<b>3ST32253</b>	(4)	225	36"	
<b>3ST42253</b>	(4)	225	48"	
<b>3ST34003</b>	—	400	36"	10" x 6"
<b>3ST44003</b>	(4)	400	48"	
<b>3ST54003</b>	(4)	400	60"	
<b>3ST64003</b>	(4)	400	72"	
<b>3ST56003</b>	(4)	600	60"	11" x 7"
<b>3ST66003</b>	(4)	600	72"	

### EEMAC/NEMA 4 & 12 Wiring Troughs

Rugged Gasketed Construction.

- Stainless steel clamps & outside screws
- Provision for sealing
- Built to EEMAC/NEMA 4 standards



CATALOGUE #	DESCRIPTION			DIMENSIONS
	4TH WIRE	AMP.	LENGTH	
<b>ST22253</b>	—	225	24"	8" x 4-1/2"
<b>ST32253</b>	(4)	225	36"	
<b>ST42253</b>	(4)	225	48"	
<b>ST34003</b>	—	400	36"	10" x 6"
<b>ST44003</b>	(4)	400	48"	
<b>ST54003</b>	(4)	400	60"	
<b>ST64003</b>	(4)	400	72"	
<b>ST56003</b>	(4)	600	60"	11" x 7"
<b>ST66003</b>	(4)	600	72"	

INDUSTRIAL ENCLOSURES





- Industrial Enclosures
- Custom Enclosures
- Steel - Aluminum -  
Stainless Steel

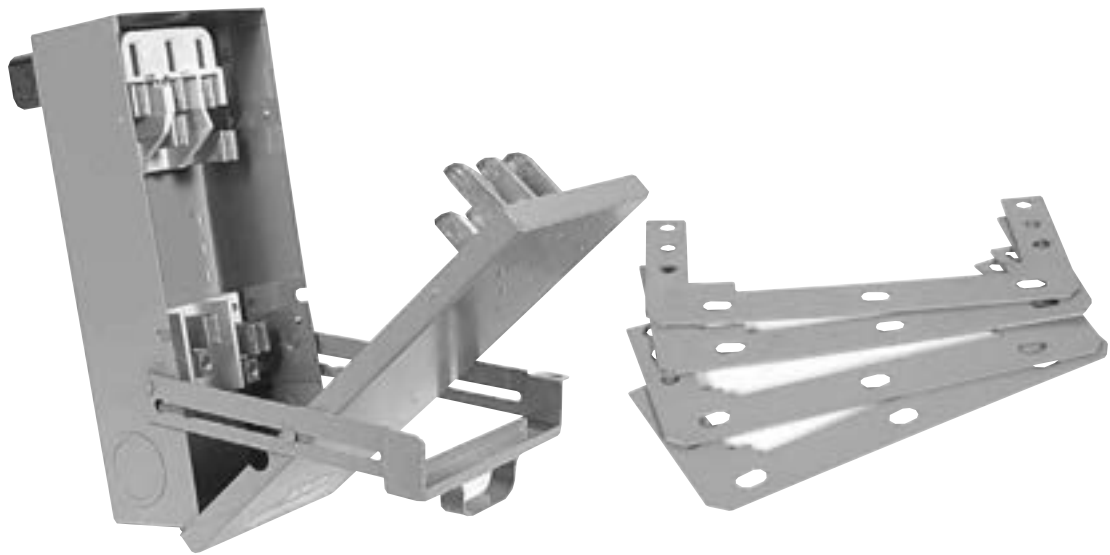
Ontario Hydro Enclosure

INDUSTRIAL  
ENCLOSURES

***Ask about Custom Built Enclosures***



# ***Industrial Busduct***



• Formerly known as Taylor

**INDUSTRIAL BUSDUCT**

**BUSDUCT**



## TYPE "DE" FLEX-A-POWER PLUG-IN DUCT

### FEATURES:

- Eight plug-in openings each side of a standard ten foot length.
- Provides power take-off every six inches throughout an installation.
- Joint covers on each side of a splice give easy access to all bus bar joints.
- Covers are interchangeable side for side.
- Side rail splice plate secured quickly and firmly by means of only two screws.
- Self tapping screws for greater convenience in making housing connections.
- Bus-bars are held firmly in the duct, there is no slippage when erected in a vertical position.
- Caliper type hanger facilitates and speeds installation.
- Finish is grey enamel.

### GENERAL:

Type DE Flex-A-Power plug-in system is a safe, economical yet flexible system of power distribution and take off. Primarily designed for industrial and commercial buildings, it can be mounted either in a horizontal plane or vertically as a riser. All ratings are manufactured in standard 10 foot lengths but special sections can be made when required.

Each standard 10 foot section is provided with eight plug-in openings on each side at 12 inch centres. A power take off, by means of a Flex-A-Plug, may thus be made from either side of a run. Either fusible or circuit breaker type Flex-A-Plug are available.

All plug-in openings are equipped with rotating dust covers which provide protection from dust or moisture when the opening is not in use.

### CURRENT RATINGS:

Copper - 250, 400, 600, 800 and 1000 amperes  
Aluminum - 250, 400, 600, 800 amperes

### VOLTAGE RATINGS:

- Up to 600 volts, 2 or 3 pole
- 120/208 volts, 3 phase, 4 wire, S.N.

### SHORT CIRCUIT RATINGS:

- Up to 50,000 RMS amperes

Type DE Flex-A-Power is an easily expanded power system that will lend itself to any plant layout or machine alignment. It may also be used as a riser with plug-in power take-off at each floor. An entire installation may easily be removed and reinstalled in a new location.

### CONSTRUCTION FEATURES:

#### HOUSING:

Type DE Flex-A-Power housing is manufactured from 16 gauge steel. The covers on each side are identical in all respects and are interchangeable side for side. The interlocking type of construction, coupled with overlapping splice plates at each joint, greatly increases the mechanical strength and rigidity of the assembly.

#### JOINT COVERS:

Identical joint covers are provided on each side of a splice. This permits easy access to both sides of a bus bar joint facilitating assembly.

#### BUS BARS:

Standard bus bars are high conductivity copper with the entire surface of each bar silver plated. Aluminum bus bars are available if specified. All bus bars are firmly held in place and do not require the addition of any other special supports when the duct is installed as a riser.

#### BUS BAR JOINTS:

All bus bar connections are bolted. Two special high tensile strength steel bolts in each bar ensure proper mechanical strength and electrical contact between surfaces. Lock washers are used to compensate for the difference in the co-efficient of heat between the steel bolts and bus bars.

#### BUS BAR SUPPORTS:

Bus bar supporting insulators are spaced on two foot centres. Made from shock resistant Electolite 5200-B having the highest dielectric strength, they eliminate the possibility of creepage or tracking.

#### HANGER ASSEMBLY:

two sets of supporting 'cradle' hangers are furnished with each standard ten foot length. These permit mounting of a Flex-A-Power run in either the flat or edgewise plane.

#### FINISH:

Standard finish is grey enamel.



# Flex-A-Power

## TYPE "DE" FLEX-A-POWER BUS DUCT

### GENERAL:

Furnish and install a Type DE Flex-A-Power Plug-in Bus Way System as manufactured by Hydel and as shown on the drawings which form part of this specification.

This Flex-A-Power System shall be totally enclosed by a rigid steel housing. As many sections as possible shall be standard ten foot lengths. Special sections and/or fittings shall be provided only where necessary to suit the installation.

Plug-in access openings shall be provided on each side and staggered so as to provide a power take-off point every six inches in a ten foot section.

Each plug outlet shall be provided with an outlet cover plate. The shape of the outlets and the spacings of the bus bars shall permit insertion of plug-in units in only one position so as to assure maintenance of phase relation.

All equipment shall be listed and approved by C.S.A.

### HOUSING:

The housing shall consist of standardized assemblies of form sixteen gauge sheet steel to provide a rigid enclosure. The form of the housing shall be such that a continuous molding is included along the entire length, providing a convenient method for attachment of Plug-in units and for attaching supporting hanger brackets. Each section shall be provided with internal splice plates for each side. These are to be attached at one end of the housing and arranged so that they telescope into the adjoining length to ensure alignment and increase the mechanical strength and rigidity of the assembly.

Removable joint covers shall be provided for each side of a joint to facilitate the bolting of the bus bars and simplify any required periodic inspections.

### INSULATORS:

Bus bar insulators shall be spaced on a maximum of 24" centres and shall be shock resistant, non-tracking, non-carbonizing Electrolite 5200-B to provide high dielectric strength.

### BUS BARS:

Bus bars shall be round edge, hand-drawn copper of 98% conductivity, (alternative - round-edge electrical conductor grade aluminum, D-50S with T-6 temper). Copper bus bars shall be silver plated by the silver cyanide immersion process. All contact surfaces of aluminum bus bars shall be Alston 70 tin plated. Joints shall be of the overlapping type with at least two 3/8" bolts passing through each. Bus bar joints shall incorporate lock washers to assure high contact pressure throughout the life of the system.

### HANGERS:

Two "Cradle Type" Hangers shall be provided with each ten foot length so that the system shall be supported at least every five feet.

They shall be of such design that they may be mounted at any point along the run. The Hangers shall be suitable for flat or edgewise mounting.

### PLUG-IN UNITS:

All Flex-A-Plug Units shall consist of sheet-steel housing with hinged covers which shall totally enclose the switching mechanism whether mounted on the bus-way or not. They shall be provided with adequate knock-outs and necessary clamps for quick attachment of the plug to the housing. Flex-A-Plug Units shall be equipped with high contact Phosphor Bronze Pressure Stabs to engage the bus bars. All copper parts shall be silver-plated. Solderless lugs shall be provided on all load terminals.

### FINISH:

The housing for both type DE Flex-A-Power Plug-in Bus Way and Flex-A-Plug Units shall be finished in Grey Enamel over a rust inhibiting base.

# Flex-A-Power



## TYPE "DE" FLEX-A-POWER PLUG-IN DUCT

### FITTINGS:

Type DE Flex-A-Power Fittings are basically the same construction as standard 10 foot lengths. Besides standard fittings, such as elbows and tees, special fittings and sections may be designed and fabricated to facilitate installations in difficult locations.

### ELBOWS

Used to change the course of a run of Flex-A-Power 90 degrees in any direction in a flat or edgewise plane. Each leg of a standard elbow is 24 inches long but they may be manufactured in desired lengths to take up odd footage remaining in a run.

### TEE CONNECTIONS

Manufactured for mounting in the flat or edgewise plane. They are required wherever it is necessary to "tap" into the main Flex-A-Power run with a branch run.

### END BOXES

Close in the same end of a run of Flex-A-Power.

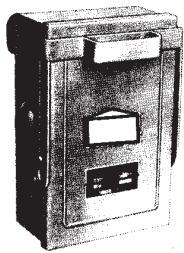
### EXPANSION JOINTS

In extremely long runs, or where a run of DE Flex-A-Power crosses a building expansion joint, special Expansion joint Fittings are available to compensate for any difference in expansion or contraction between the building and the Flex-A-Power run.

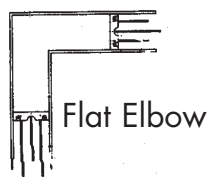
### CABLE TAP BOXES

Used where a run of Flex-A-Power is fed by conduit and wire or for power take-offs without overcurrent protection. Installed at joints between straight lengths or at the end of a run. When used at the end of a run, end boxes are required and should be ordered separately.

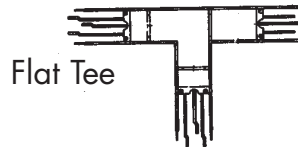
### Type FE Fusible Flex-A-Plug



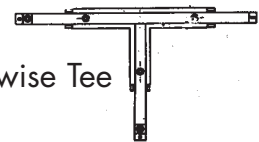
Standard Section of 250 amp Type DE Flex-A-Power Showing Plug-in Opening and Dust Cover



Flat Elbow



Flat Tee

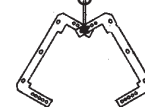


Edgewise Tee



Edgewise Elbow

Caliper Type Cradle Hanger





# Bus Duct & Accessories

## 3 PHASE, 3 WIRE

### 3 Phase, 3 Wire 600V

AMPERE RATING	CU CAT. NO	AI CAT NO	CABLE TAP BOXES	END CLOSERS	HARDWARE KITS
250A	<b>DEC 250-3</b>	<b>DEA250-3</b>	<b>DEB13</b>	<b>DEE13</b>	<b>DEH13</b>
400A	<b>DEC 400-3</b>		<b>DEB13</b>	<b>DEE13</b>	<b>DEH13</b>
400A - 600A	<b>DEC 600-3</b>	<b>DEA 400-3</b>	<b>DEB23</b>	<b>DEE 23</b>	<b>DEH23</b>
600A - 800A	<b>DEC 800-3</b>	<b>DEA 600-3</b>	<b>DEB33</b>	<b>DEE 33</b>	<b>DEH33</b>
800A - 1000A	<b>DEC 1000-3</b>	<b>DEA 800-3</b>	<b>DEB33</b>	<b>DEE 33</b>	<b>DEH33</b>

### 3 Phase, 3 Wire 600V BUS DUCT

COPPER/CU CAT. #	AMP	WT/10 FT LENGTH (LBS.)	ALUMINUM/AI CAT. #	AMP	WT/10 FT LENGTH (LBS.)
<b>DEC250-3</b>	225	80	<b>DEA250-3</b>	225	66
<b>DEC400-3</b>	400	80	<b>DEA400-3</b>	400	81
<b>DEC600-3</b>	600	125	<b>DEA600-3</b>	600	95
<b>DEC800-3</b>	800	170	<b>DEA800-3</b>	800	103
<b>DEC1000-3</b>	1000	170			

### Cable Tap Boxes\*

CATALOGUE #	WT/LBS EA.
<b>DEB13</b>	38
<b>DEB23</b>	52
<b>DEB33</b>	64

### End Closers

CATALOGUE #	WT/LBS EA.
<b>DEE13</b>	8
<b>DEE23</b>	8
<b>DEE33</b>	8

### Hardware Kits\*\*

CATALOGUE #	WT/LBS EA.
<b>DEH13</b>	8
<b>DEH23</b>	10
<b>DEH33</b>	13



\* Cable Tap Boxes are for centre or end-of-run use. When used on end of a run, order end closer separately.

\*\* One hardware kit is required with each ten foot length, part length, elbow or tee. Each hardware kit consists of two type "DE" hanger assemblies, joint hardware and joint covers.

BUSDUCT

# Bus Duct & Accessories



## 3 PHASE, 4 WIRE

### 3 Phase, 4 Wire FCN up to 240V

AMPERE RATING	CU CAT. NO	AI CAT NO	CABLE TAP BOXES	END CLOSERS	HARDWARE KITS
250A	<b>DEC 250-4</b>	<b>DEA 250-4</b>	<b>DEB14</b>	<b>DEE 13</b>	<b>DEH14</b>
400A	<b>DEC 400-4</b>		<b>DEB14</b>	<b>DEE 13</b>	<b>DEH14</b>
400A - 600A	<b>DEC 600-4</b>	<b>DEA 400-4</b>	<b>DEB24</b>	<b>DEE 23</b>	<b>DEH24</b>
600A - 800A	<b>DEC 800-4</b>	<b>DEA 600-4</b>	<b>DEB34</b>	<b>DEE 33</b>	<b>DEH34</b>
800A - 1000A	<b>DEC 1000-4</b>	<b>DEA 800-4</b>	<b>DEB34</b>	<b>DEE 33</b>	<b>DEH34</b>

### 3 Phase, 4 Wire FCN up to 240V

COPPER/CU CAT. #	AMP	WT/10 FT LENGTH (LBS.)	ALUMINUM/AI CAT. #	AMP	WT/10 FT LENGTH (LBS.)
<b>DEC250-4</b>	225	96	<b>DEA250-4</b>	225	80
<b>DEC400-4</b>	400	96	<b>DEA400-4</b>	400	97
<b>DEC600-4</b>	600	150	<b>DEA600-4</b>	600	114
<b>DEC800-4</b>	800	204	<b>DEA800-4</b>	800	124
<b>DEC1000-4</b>	1000	204			

### Cable Tap Boxes\*

CATALOGUE #	WT/LBS EA.
<b>DEB14*</b>	42
<b>DEB24*</b>	57
<b>DEB34*</b>	70

### End Closers

CATALOGUE #	WT/LBS EA.
<b>DEE13</b>	8
<b>DEE23</b>	8
<b>DEE33</b>	8

### Hardware Kits\*\*

CATALOGUE #	WT/LBS EA.
<b>DEH14**</b>	9
<b>DEH24**</b>	11
<b>DEH34**</b>	14



\* Cable Tap Boxes are for centre or end-of-run use. When used on end of a run, order end closer separately.

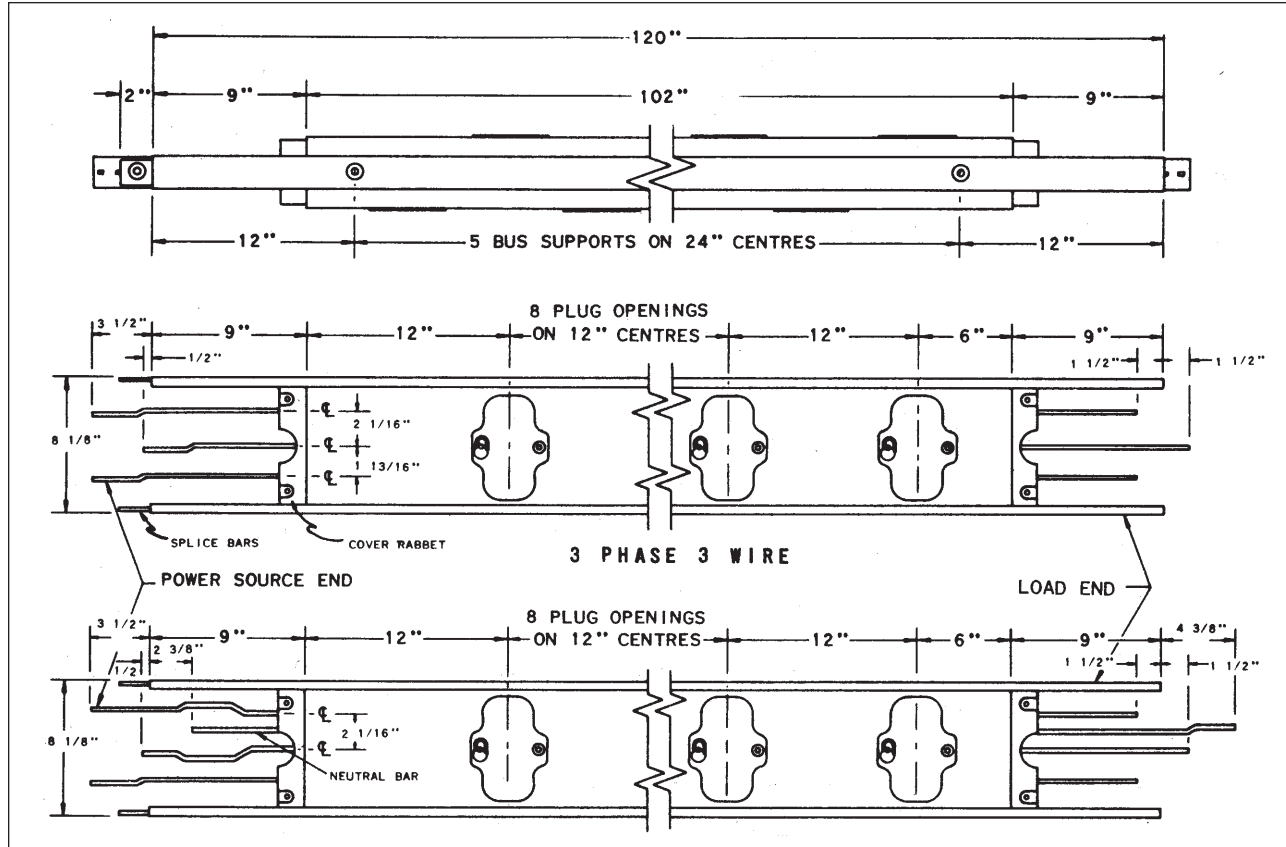
\*\* One hardware kit is required with each ten foot length, part length, elbow or tee. Each hardware kit consists of two type "DE" hanger assemblies, joint hardware and joint covers.



# Flex-A-Power

## TYPE "DE" FLEX-A-POWER PLUG-IN DUCT

### DIMENSION DATA:



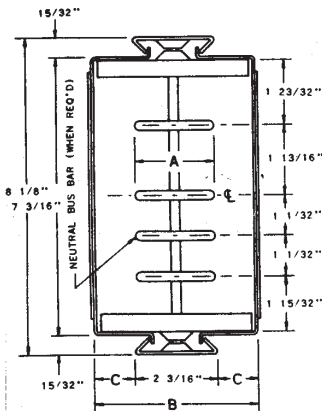
3-Phase, 4-Wire, Standard 10 foot lengths

Short Circuit Ratings: To 50,000 RMS Amps

Voltage Ratings: Up to 600V, 2- or 3-Pole

120/280V - 3-Phase, 4-Wire

Rating In Amps	No. of Poles	Copper/Alum. Bus Bars	Bus Bar, and Neutral Size	Approx. Wt. Lbs. Per Ft.	Dimensions Ins.		
					A	B	C
250	3	Copper	1/4 x 1 Tubular	7.3	1	3 <sup>3</sup> / <sub>16</sub>	1/2
250	3PH 4W	Copper	1/4 x 1 Tubular	7.8	1	3 <sup>3</sup> / <sub>16</sub>	1/2
400	3	Copper	1/4 x 1	8.5	1	3 <sup>3</sup> / <sub>16</sub>	1/2
400	3PH 4W	Copper	1/4 x 1	9.5	1	3 <sup>3</sup> / <sub>16</sub>	1/2
600	3	Copper	1/4 x 2	11.8	2	4 <sup>3</sup> / <sub>16</sub>	1
600	3PH 4W	Copper	1/4 x 2	13.7	2	4 <sup>3</sup> / <sub>16</sub>	1
800	3	Copper	3/16 x 4	16.6	4	6 <sup>3</sup> / <sub>16</sub>	2
800	3PH 4W	Copper	3/16 x 4	19.5	4	6 <sup>3</sup> / <sub>16</sub>	2
1000	3	Copper	1/4 x 4	19.4	4	6 <sup>3</sup> / <sub>16</sub>	2
1000	3PH 4W	Copper	1/4 x 4	12.5	4	6 <sup>3</sup> / <sub>16</sub>	2
250	3	Aluminum	1/4 x 1	6.7	1	3 <sup>3</sup> / <sub>16</sub>	1/2
250	3PH 4W	Aluminum	1/4 x 1	7.0	1	3 <sup>3</sup> / <sub>16</sub>	1/2
400	3	Aluminum	1/4 x 2	7.8	2	4 <sup>3</sup> / <sub>16</sub>	1
400	3PH 4W	Aluminum	1/4 x 2	8.4	2	4 <sup>3</sup> / <sub>16</sub>	1
600	3	Aluminum	3/16 x 4	10.5	4	6 <sup>3</sup> / <sub>16</sub>	2
600	3PH 4W	Aluminum	3/16 x 4	11.3	4	6 <sup>3</sup> / <sub>16</sub>	2
800	3	Aluminum	1/4 x 4	11.3	4	6 <sup>3</sup> / <sub>16</sub>	2
800	3PH 4W	Aluminum	1/4 x 4	12.5	4	6 <sup>3</sup> / <sub>16</sub>	2



BUSDUCT



# Flex-A-Plugs

## FE SERIES



**Type "FE" - Cover Operated, Slow Make-Slow Break, Fusible Disconnect, Isolation Use Only - Most Commonly Used Style**

### 600V, 3-Phase, 3-Wire

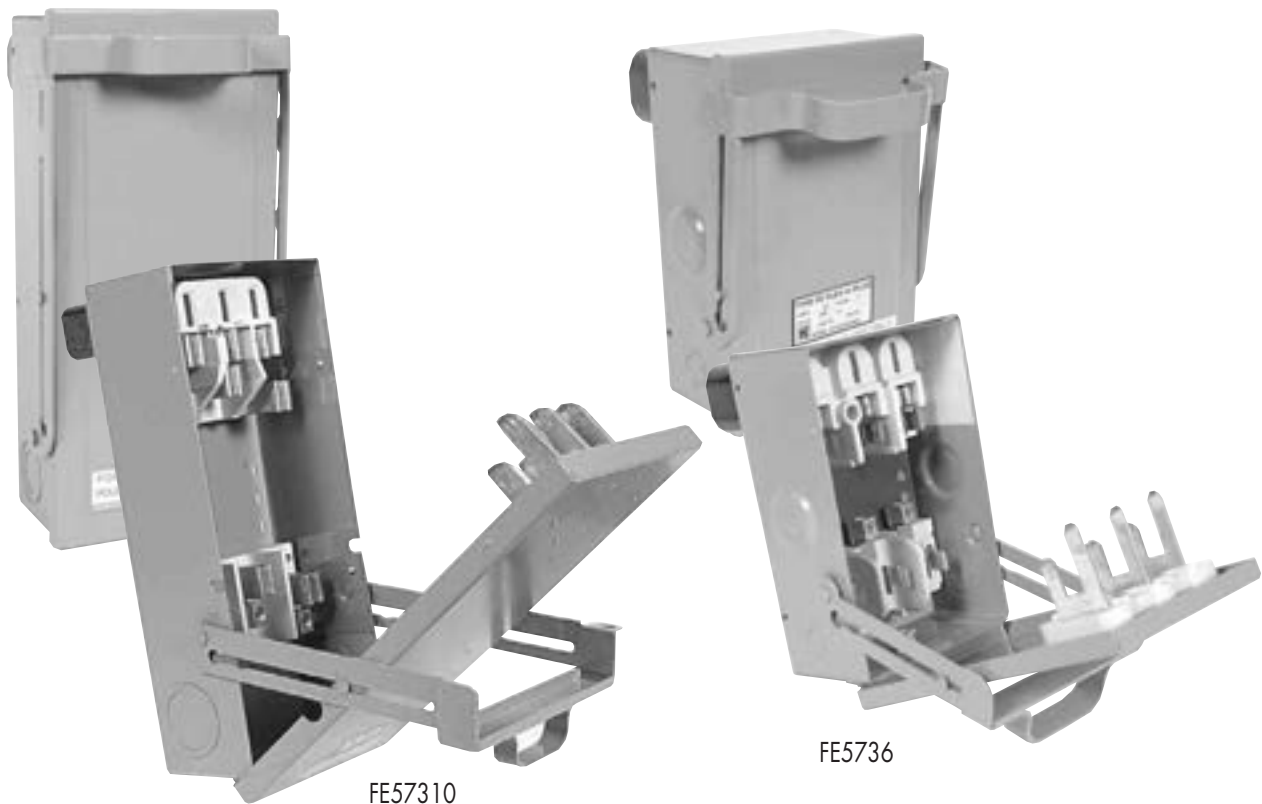
AMPERE RATING	CATALOGUE #	WT/LBS. EA.
30 A	<b>FE5733</b>	13
60 A	<b>FE5736</b>	13
100 A	<b>FE57310</b>	16
200 A	<b>FE57320</b>	41
400 A	<b>FE57340</b>	90

### 240V 3-Pole

AMPERE RATING	CATALOGUE #	WT/LBS. EA.
30 A	<b>FE2333</b>	13
60 A	<b>FE2336</b>	13
100 A	<b>FE23310</b>	16
200 A	<b>FE23320</b>	41
400 A	<b>FE23340</b>	90

### 120/208V, 3-Phase 4-Wire, SN

AMPERE RATING	CATALOGUE #	WT/LBS. EA.
30 A	<b>FE2343SN</b>	14
60 A	<b>FE2346SN</b>	14
100 A	<b>FE23410SN</b>	17
200 A	<b>FE23420SN</b>	42
400 A	<b>FE23440SN</b>	92



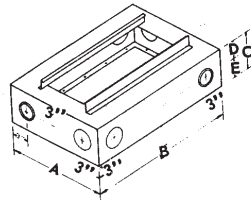
**BUSDUCT**



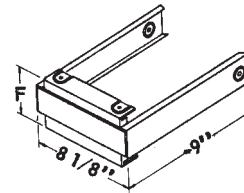
# Flex-A-Power

## TYPE "DE" FLEX-A-POWER BUS DUCT

**Cable Tap Box**



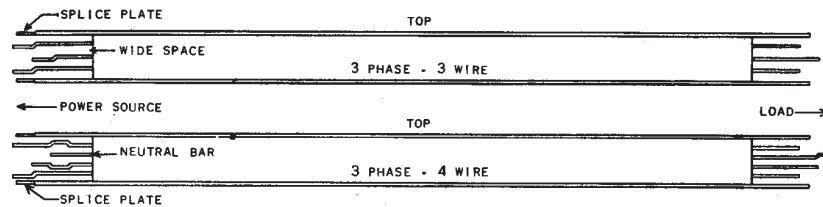
**End Box**



### 2- and 3-Poles and 3-Phase, 4-Wire

BOX	COPPER (DEC)		ALUMINUM (DEA)		DIMENSIONS					
	SIZE	CABLE	CABLE	LUGS	A	B	C	D	E	F
1	250/400	1-500 MCM	250	1-500 MCM	16	24	6	3	3	3 <sup>3</sup> / <sub>16</sub> "
2	600	2-350 MCM	400	2-350 MCM	20	30	7 <sup>1</sup> / <sub>2</sub>	4 <sup>1</sup> / <sub>2</sub>	3	4 <sup>3</sup> / <sub>16</sub> "
3	800/1000	3-500 MCM	600/800	3-500 MCM	20	36	8	4	4	6 <sup>3</sup> / <sub>16</sub> "

### Assembly Instructions



**Figure 1**

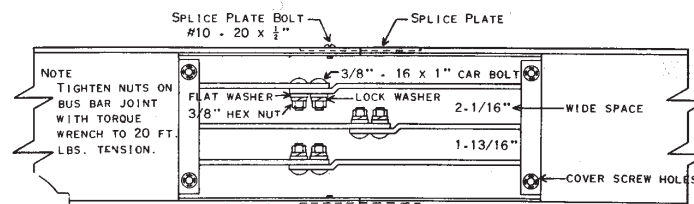
Type DE Flex-A-Power is packaged and shipped in sections which are assembled in a single run on the job site. With each section a hardware package is supplied which includes the necessary hangers, joint covers, bolts nuts and washers to make a complete joint between two sections.

Type DE Flex-A-Power Bus Duct may be hung horizontally in the "edgewise" or "flat" position or vertically as risers between floors etc. the usual

method is to mount the duct in the horizontal edgewise position.

Three phase-3 wire duct is mounted with the wide spacing between bars at the top. Three phase-4 wire duct is mounted with the neutral bar at the top.

In both 3 phase-3 wire and 3 phase-4 wire duct the end having the bars offset normally faces toward the power source and the straight bars toward the load. Flex-A-Power housings are clearly marked "TOP" and "SOURCE END".



**Figure 2**

To connect two sections of DE Flex-A-Power together the sections should be located on the same plane and then pushed together. The splice plates on the side rail end of one section fit into the side rails of the second section and are bolted in place.

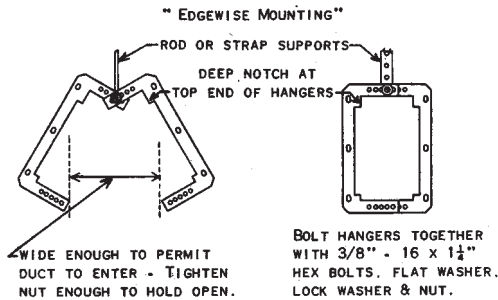
The straight bars must be located inside of the offset bars approximately 20 ft. lbs. torque is recommended. The joint covers are installed with 4 - 10/24 x 3/8 robertson head self-threading screw in each.

# Flex-A-Power

## TYPE "DE" FLEX-A-POWER BUS DUCT



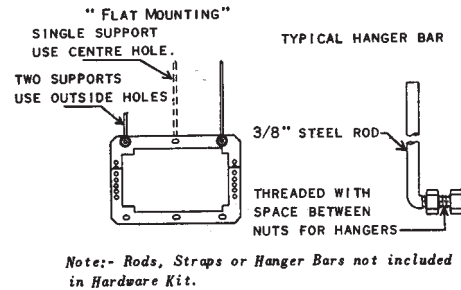
### Assembly Instructions



**Figure 3**

**Figure 4**

Hanger Rod or Straps should be installed and hangers attached with the bottoms open. (Figure 3). Duct can then be raised into position and hangers closed and bolted. (Figure 4) If desired, two or three lengths may be assembled together on the floor and raised into position as a single unit.

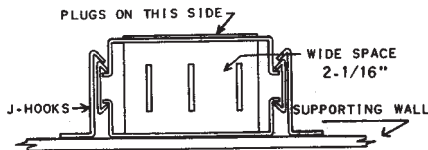


**Figure 5**

**Figure 6**

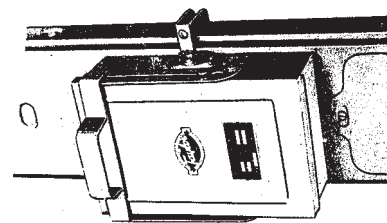
If duct is to hang in the flat horizontal position follow Figure 5.

DE Flex-A-Power in the vertical position (between floors etc.) should be installed with the neutral 9 or wide space) on the left when facing the side of the duct that plugs will be mounted on . Special J-hooks will be supplied on request only for hanging in this position.



**Figure 7**

Flex-A-Plugs are completely self-aligning and cannot be incorrectly plugged into a run of Flex-A-Power due to the staggered spacing of the Flex-A-Power bus bars which assure correct phasing when a plug is connected.



**Figure 8**

Clamp Hangers are supplied with each Flex-A-Plug to mechanically fasten it to the Flex-A-Power housing. Figure 8 shows a type FE Flex-A-plug secured to the duct by means of a Clamp Hanger.

**BUSDUCT**



# Outdoor Rated Safety Switches

## HEAVY DUTY

### Heavy Duty Outdoor Rated Transfer Switches General Purpose Enclosures

- Neutral Kits shown are field installed only.
- Cabinet size does NOT include the extension of the throw handle.

#### Single Phase 120/240 Volts AC

	MAIN / STANDBY AMPS	CATALOGUE #	CABINET DIMENSIONS			HUB (Incl)	WGT LBS.	NEUTRAL KIT	WIRE RANGE CU. AL
			H"	W"	D"				
UTILITY  LOAD  STANDBY 	100/100	<b>GS3161G</b>				1.25		Fact. Inst.	#12 - 1/0
	100/100	<b>GS1101B12</b>	27.50	13.63	5.75	1.25	32	NEU102	#12 - 1/0
	200/100	<b>GS1201B20</b>	33.50	16.63	5.75	2.00	42	NEU202	#6 - 250MCM
	200/200	<b>GS1202B20</b>	40.25	16.63	5.75	2.00	46	NEU202	#6 - 250 MCM
	400/200	<b>GS1402B01</b>	43.75	18.25	8.50	-	88	NEU407	(2) 600 MCM or (2) 1/0 - 250 MCM
	400/400	<b>GS1404B01</b>	43.75	18.25	8.50	-	96	NEU407	(2) 600 MCM or (2) 1/0 - 250 MCM

#### Single Phase 120/240 Volts AC - Switch Neutral

	MAIN / STANDBY AMPS	CATALOGUE #	CABINET DIMENSIONS			HUB (Incl)	WGT LBS.	NEUTRAL KIT	WIRE RANGE CU. AL
			H"	W"	D"				
UTILITY  LOAD  STANDBY 	100/100	<b>GS3161B12</b>	27.50	13.63	5.75	1.25	32	Fact. Inst.	#10 - 1/0
	200/200	<b>GS3262B25</b>	33.50	16.63	5.75	2.50	48	Fact. Inst.	#6 - 250 MCM
	400/400	<b>GS3464B01</b>	44.75	23.75	8.50	-	120	Fact. Inst.	(2) 600 MCM or (2) 1/0 - 250 MCM

#### Three Phase 240,120/240 Volts AC

	MAIN / STANDBY AMPS	CATALOGUE #	CABINET DIMENSIONS			HUB (Incl)	WGT LBS.	NEUTRAL KIT	WIRE RANGE CU. AL
			H"	W"	D"				
UTILITY  LOAD  STANDBY 	200/200	<b>GS3262G</b>	27.50	13.63	5.75	-	45	Fact. Inst.	#6 - 250 MCM
	400/200	<b>GS3402B01</b>	40.25	16.63	5.75	-	107	NEU407	(3) 2 - 600 MCM or (3) 6 - 250 MCM
	400/400	<b>GS3404B01</b>	44.75	23.75	8.50	-	120	NEU407	(3) 2 - 600 MCM or (3) 2 - 250 MCM

#### Three Phase 600 Volts AC

	MAIN / STANDBY AMPS	CATALOGUE #	CABINET DIMENSIONS			HUB (Incl)	WGT LBS.	NEUTRAL KIT	WIRE RANGE CU. AL
			H"	W"	D"				
UTILITY  LOAD  STANDBY 	100/100	<b>GS3161B12</b>	27.50	13.63	5.75	1.25	32	NEU102	#10 - 1/0
	200/200	<b>GS3262B25</b>	33.50	16.63	5.75	2.50	48	NEU202	#6 - 250 MCM
	400/400	<b>GS3464B01</b>	44.75	23.75	8.50	-	120	NEU407	(3) 2 - 600 MCM or (3) 6 - 250 MCM

TRANSFER SWITCHES

# Outdoor Rated Transfer Switches



## HEAVY DUTY

### Application Information`

The Hydel Heavy Duty manual transfer switch provides reliable and trouble-free transfer of power from the normal utility supplied source to a standby generator enabling the user to maintain power during utility down time periods.

The “Double Throw” mechanism is designed to be fully operational and switchable at full rated capacity.

Typical applications include poultry farms and dairy farms, ventilation in animal confinement buildings, crop drying, and anywhere an extended loss of normal power service would result in service loss, damage or inconvenience.

## Features & Benefits

### Electrical Ratings

- 100 to 400 amp
- 240 & 600 volt models
- 10,000 AIC

### Rugged Construction

- Quick-Make, Quick-Break Switch Mechanism
- Bus Bar interconnect main & standby switches
- Heavy zinc coated steel
- Knife Blade Switch
- Welded Flange NEMA 3R
- Quality user tested components

Operate Under Load  
Rugged Construction  
resists Corrosion and Fading  
Provide Long Life  
Lasting Service in Outdoor Applications  
Proven Product for peace of mind

### User Safety

- Padlock provision in all three on-off-on transfer positions
  - Interlock
- Flexibility in operation  
Unit interior accessible only in shut down mode.

### Accessories

- Optional neutral kit for both 240V and 600V
- Broad range of concentric knockouts
- Accepts copper or aluminium wire

TRANSFER SWITCHES



# Grounding

## RODS & PLATES

### Ground Rods, Galvanized

All Ground Rods come with cone point.

Cat.No.	Size	Pkg.Qty.	Wt.-lbs./ C
1205G	1/2 x 5'	10	330
1206G	1/2 x 6'	10	395
1207G	1/2 x 7'	10	460
5806G	5/8 x 6'	10	600
5807G	5/8 x 7'	5	700
5808G	5/8 x 8'	5	800
5810G	5/8 x 10'	5	1000
3406G	3/4 x 6'	5	900
3408G	3/4 x 8'	5	1200
3410G	3/4 x 10'	5	1500
3420G	3/4 x 20'	1	3000
1008G	1 x 8'	3	2200
1010G	1 x 10'	2	2500
Black Ungalvanized Ground Rods:			
5808B	5/8 x 8'	5	800
5810B	5/8 x 10'	5	1000



3410G

### Grounding Plate

One grounding plate. One ground connector. Shallow pit required. No power equipment required. Ground plates are easy to carry and transport. One ground plate weighs only 11 lbs. each. Pit in which ground plate rests must remain open until inspection has taken place.

Cat.No.	Description	Pkg.Qty.	Wt. Ea.
Ontario / Atlantic / British Columbia:			
1016GPGC	1/4" x 10" x 16" plate c/w bronze grounding connector, galvanized #733.C, wire range #8 to 3/0	4	11.5 lbs.
1016GPG	10" x 16" grounding plate less connector, galvanized	4	11 lbs.
Alberta:			
1016GPL	1/4" x 10" x 16" black plate, not galvanized	4	11 lbs.
1016GPC	1/4" x 10" x 16" black plate, c/w connector, not galvanized	4	11.5 lbs.

CSA approved and stamped.  
Also available with 3/4" shank.



1016GPGC

# Grounding Connectors

## CONNECTORS



### Connectors

(Galvanized Steel)

Cat. No.	Size	Pkg. Qty.	Wt.-lbs./ C
712	1/2" rods	50	65
725	5/8-3/4 rods	50	65
710	3/4 -1" rods	50	70
714R	1/2" strand	50	45
Connector (Malleable Castings)			
758	5/8-1" rods	100	20
758C	5/8-1" bronze	100	20



710



758



714R

### Bronze Grounding Connectors

Cat.No.	Rod Size	Maximum Wire Size	Wt.-lbs./c
712C	1/2"	1/0 Str.Cu.	27
729C	5/8"	# 2 Str.Cu.	17
733C	3/4"	3/0 Str.Cu.	23
734C	3/4"	4/0 Str.Cu.	36
710C	1"	25 OMCM Str.Cu.	100
120CU	1" - 5/8"	2/0 Str.Cu.	68
1250CU	1" - 5/8"	25 OMCM Str.Cu.	68



729C



120CU

### Ground Rod Driver

– is made of 1.1/2" double extra heavy steel pipe 4' with a steel plug doweled & welded in the top end.

Cat.No.	Size	Pkg. Qty.	Wt.-lbs/ C
780	5/8-3/4"	1	2700
Ground Rod Driver Extension			
781	5/8 x3/4"	1	1500
Sectional threadless Coupling for Galvanized threadless Rods			
34 SGC	Zinc 3/4	25	33
58 SGC	Zinc 5/8	25	33



34 SGC



# Grounding

## COPPER CLAD RODS

### Copper Clad Ground Rods And Connectors

Rods are bundled in bundles of 5, connectors packaged in packages of 20.

Cat. No.	Size	Wt.-lbs./ C
5806CC	5/8 x 6'	580
5808CC	5/8 x 8'	640
5810CC	5/8 x 10'	800
3406CC	3/4 x 6'	720
3408CC	3/4 x 8'	960
3409CC	3/4 x 9'	1,080
3410CC	3/4 x 10'	1,200
1010CC	1 x 10'	2,130
<b>Sectional Copper Clad Rods</b>		
5808SC	5/8 x 8'	640
5810SC	5/8 x 10'	800
3408SC	3/4 x 8'	960
3410SC	3/4 x 10'	1,200
<b>Couplings</b>		
12SC	1/2"	15
58SC	5/8"	26
34SC	3/4"	42
10SC	1"	85
<b>Driving Studs</b>		
12DS	1/2"	15
58DS	5/8"	23
34DS	3/4"	35
10DS	1"	81

Sectional copper clad rods are threaded at top and bottom. Two or more rods may be coupled together to make up the desired length. Threaded couplings are made of bronze.

Driving studs are made of high strength carbon steel and are used to prevent damage to top-end threads or couplings- 1 stud required every 2 rods.



58SC



34DS





### Copper Grounding Connection Plate

– made of hard copper with slots for # 6 copper wire connectors. Attached to pole with 1/4" lag bolts. Connectors and bolts not included.

Cat. No.	Size	Std.Pkg.	Wt.-lbs/ C
790	Slotted plate (3 Connectors)	20	30
791	Slotted plate (6 Connectors)	20	60



791



790

### Inspection Grounding Boxes

Cat.No.	Size	Std.Pkg.	Wt.-lbs./C
700	10" diameter. x 12" deep (Hot dip Galvanized)	5	1200
724	10" diameter. x 24" deep (Hot dip Galvanized)	1	2400
770	10" diameter. x 12" deep (made from Galvanized Steel)	5	1200
Also 700A, 770A etc. for assembled units.			
711R	Rectangular Inspection Box 6-1/2" x 11-1/2" x 10"	1	1000



711

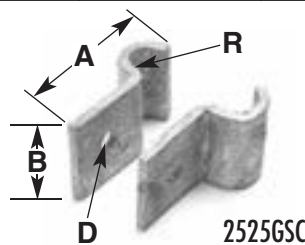


700

### Ground Wire Clips

- Made from 1/8" x 3/4" mild steel
- Used to fasten ground wires on steel structures
- Accommodates conductor range of 1/0 to 2000MCM AWG stranded copper

Cat.No.	A inches	B inches	D inches	R inches	Wt.-lbs. (100 pcs.)	Std.Pkg.
2525GSC	1-1/2	3/4	9/32	3/16	4.5	100
2526GSC	1-1/2	3/4	9/32	15/64	6	100



2525GSC



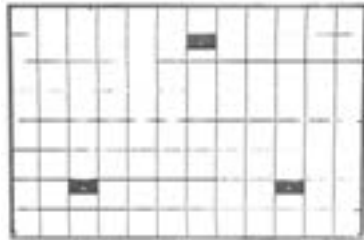
# Grounding

## GRADIENT MATS & STAPLES

### Gradient Control Mat

- Hot dip galvanized, used at switch position in sub-stations.
- Made from 6" x 6" welded mesh 1/4" diameter with pads for installation of 3 grounding connectors.
- Grounding connectors 2/0 AWG-250 MCM included in Cat.No. 6466GCC x 3 pieces.

Cat. No.	Size	Std.Pkg.	Frame	Wt.-lbs./ each
6466GCM	6" x 4"	1	1/8 x 3/4 x 3/4 Angle	35
6466GCC	6" x 4"	1	1/8 x 3/4 x 3/4 c/w conn x 3 pcs. Angle	37
6466GCM1	6" x 4"	1	1/8 x 3/4 x 3/4 (No Connector Pads) Angle	35
6466GCM3	6" x 4"	1	1/8 x 1 x 1 Angle	35
6466GCM5	6" x 4"	1	1/4 x 1-1/4 Bar	35
6466GCM6	6" x 4"	1	1/4 x 1-1/2 Bar	35



6466GCM



2AWGC

### Plastic and Wood Ground Wire Moulding

Cat. No.	Size	Std.Pkg.	Wt.-lbs./ each
701	1/2" plastic moulding in 8' lengths - use # 703 staples	25	2
701W	1/2" wood moulding in 8' lengths - use # 704 staples	10	2
<b>Staples (Galvanized)</b>			
702	2" staple x 1/2" spread	100	3
703	2" staple x 13/16" spread	50	3
704	3" x 1" spread	50	12
705	3" x 1-1/2" spread	100	8
707	1-1/2" x 3/8" spread	100	1
708	2" x 1-1/16" spread	100	3
709	3" x 1-1/16" spread	100	7
713	3" x 1-03/4" spread	50	8

Other sizes available upon request.



701W



703



707



A large rectangular area with a yellow border, containing 25 horizontal black lines for writing.



# Hydel

***DIVISION OF CIRCA ENTERPRISES***

## **Head Office & Warehouse**

206 Great Gulf Drive  
Vaughan, Ontario L4K 5W1

**[www.circahydel.com](http://www.circahydel.com)**

**Tel:** (905) 669-5511

**Fax:** (905) 669-4518

**Toll Free:** (800) 263-4579

## **Hydel Representatives**

### **British Columbia**

#### **Pacific Coast Agency Ltd.**

112-11491 Kingston Street  
Maple Ridge, BC V2X 0Y6

**[www.pacificcoastagency.com](http://www.pacificcoastagency.com)**

**Tel:** (604) 457-1555

### **Alberta**

Call Hydel Head Office

### **Saskatchewan**

#### **Electra Sales Ltd.**

1810 East Turvey Road  
Regina, SK S4N 2G7

**[www.electraselesltd.ca](http://www.electraselesltd.ca)**

**Tel:** (306) 791-0266

### **Manitoba**

#### **Edge Electrical Marketing Inc.**

1432 Erin Street  
Winnipeg, MB R3E 2S8

**[www.edgeelec.ca](http://www.edgeelec.ca)**

**Tel:** (204) 774-0268

### **Ontario**

#### **Northwinds Corporation**

1661 Trinity Drive  
Mississauga, ON L5T 1K4

**[www.northwinds.com](http://www.northwinds.com)**

**Tel:** (888) 364-9121

### **Quebec**

#### **L.T. Marketing Inc.**

113 Avenue Gun  
Point Claire, QC H3R 3X2

**[www.ltm.ca](http://www.ltm.ca)**

**Tel:** (514) 630-4350

### **Atlantic Canada**

#### **Munden Enterprises Ltd.**

2 Bluewater Road, Suite 150  
Bedford, NS B4B 1G7

**[www.munden.ca](http://www.munden.ca)**

**Tel:** (902) 405-8545